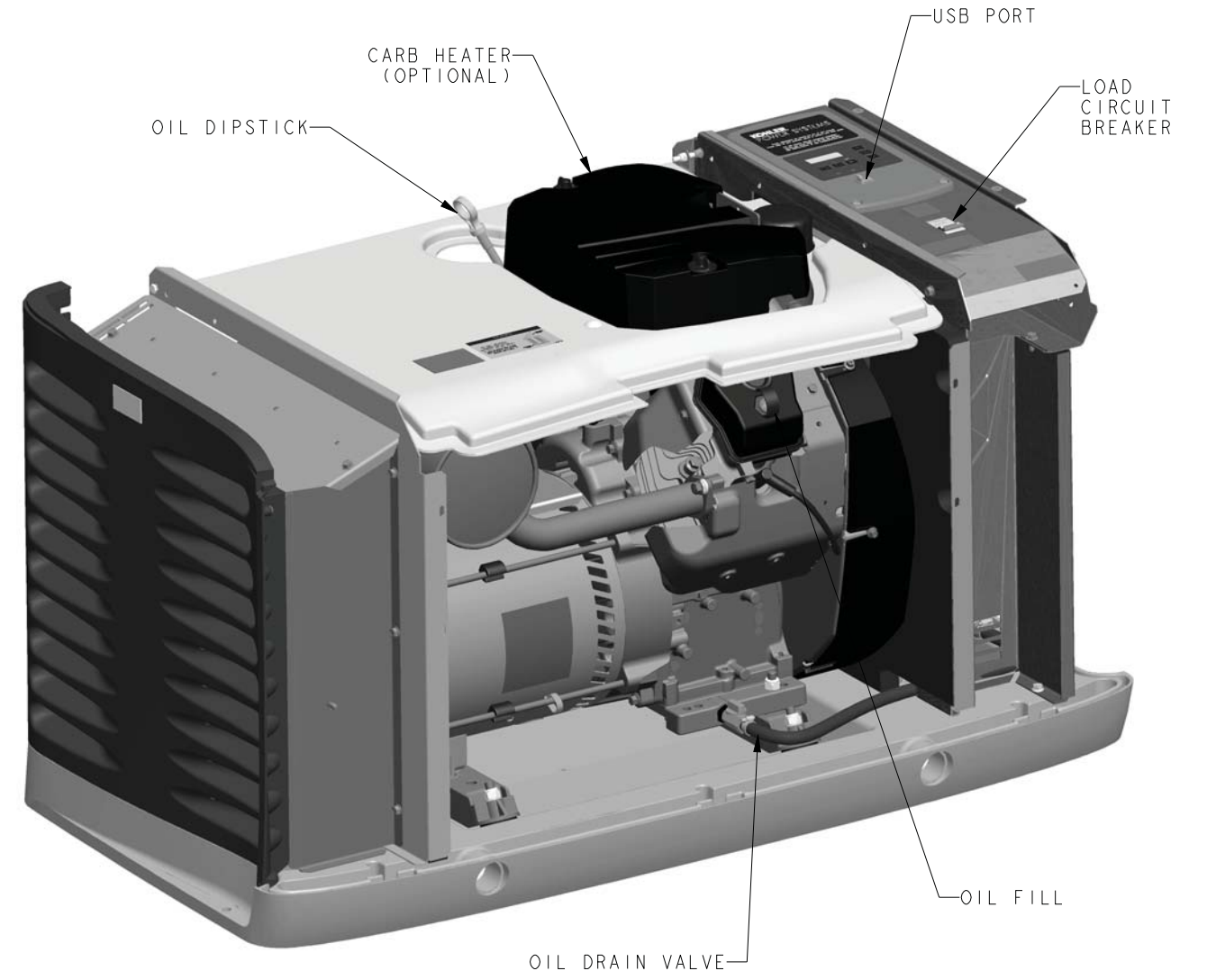
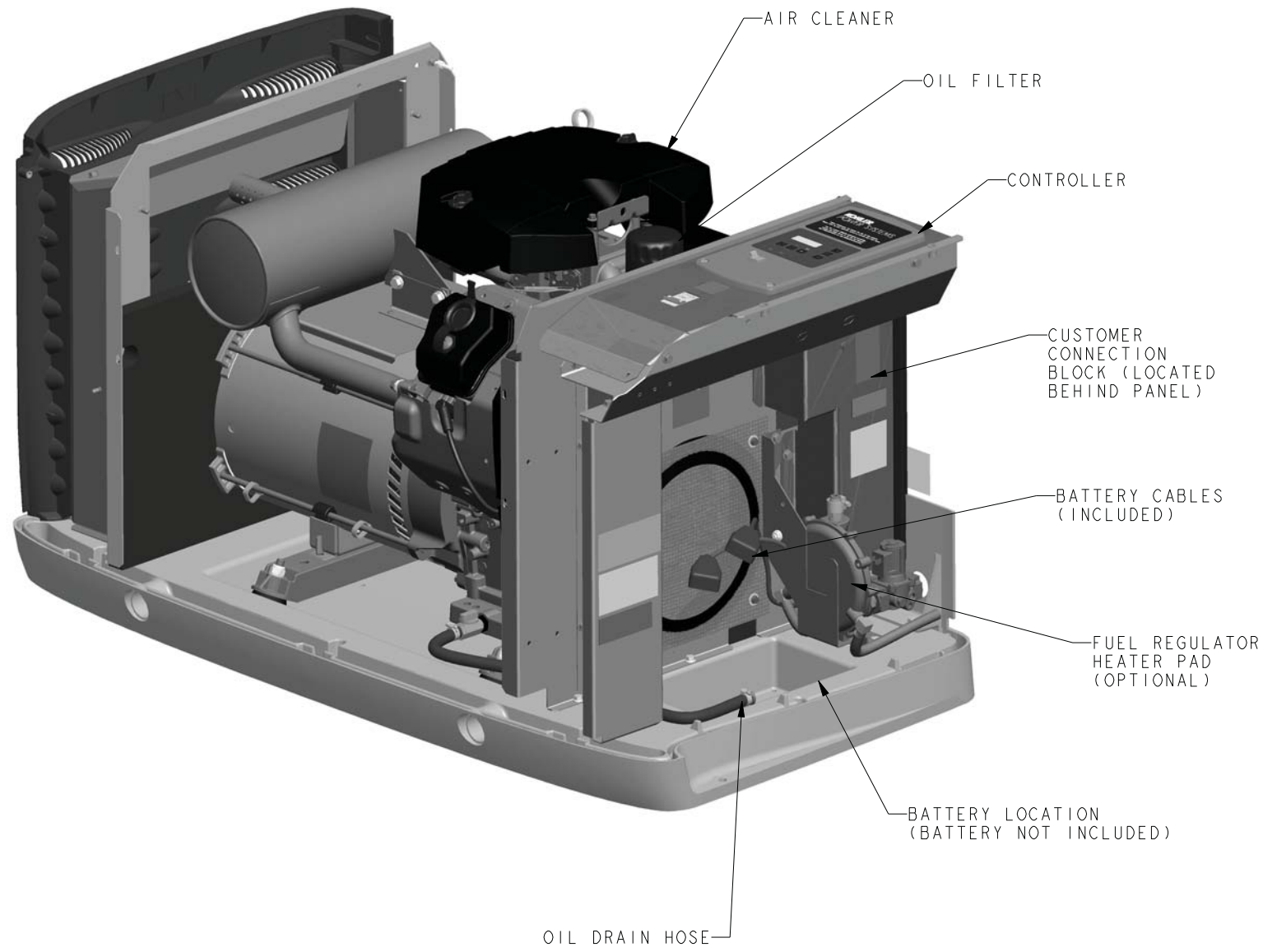


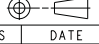
NOTE: DIMENSIONS IN [] ARE INCH EQUIVALENTS.

20RESC

REV	DATE	ON COMPOSITE DWGS. SEE PART NO. FOR REVISION LEVEL	BY	UNLESS OTHERWISE SPECIFIED - 1) DIMENSIONS ARE IN MILLIMETERS 2) TOLERANCES ARE:
-	12-22-14	NEW DRAWING [CT101550]	BGW	X.XX ± X.X ± X ±
				ANGLES ±
				SURFACE FINISH
				MAX.
				THIRD ANGLE PROJECTION
				APPROVALS
				DATE
				SCALE 0.16
				DATE 12-22-14
				12-22-14
				12-22-14

KOHLER CO. METRIC PRO-E POWER SYSTEMS, KOHLER, WI 53044 U.S.A. THIS DRAWING IN DESIGN AND DETAIL IS KOHLER CO. PROPERTY AND MUST NOT BE USED EXCEPT IN CONNECTION WITH KOHLER CO. WORK. ALL RIGHTS OF DESIGN OR INVENTION ARE RESERVED.	
TITLE DIMENSION PRINT, 20RESC	
SCALE 0.16 DWG NO.	CAD NO. SHEET 1 of 4
ADV-8754	

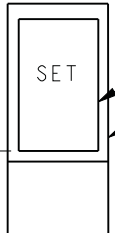


REV	DATE	ON COMPOSITE DWGS. SEE PART NO. FOR REVISION LEVEL	BY	UNLESS OTHERWISE SPECIFIED -		TITLE	
-	12-22-14	NEW DRAWING [CT101550]	BGW	1) DIMENSIONS ARE IN MILLIMETERS		KOHLER CO. METRIC PRO-E POWER SYSTEMS, KOHLER, WI 53044 U.S.A. THIS DRAWING IN DESIGN AND DETAIL IS KOHLER CO. PROPERTY AND MUST NOT BE USED EXCEPT IN CONNECTION WITH KOHLER CO. WORK. ALL RIGHTS OF DESIGN OR INVENTION ARE RESERVED.	
				2) TOLERANCES ARE:		SURFACE FINISH X.XX ± X.X ± X ± ANGLES ± MAX.	
				THIRD ANGLE PROJECTION		THIRD ANGLE PROJECTION 	
				APPROVALS	DATE	DIMENSION PRINT, 20RESC SCALE 0.25 CAD NO. SHEET 2 of 4	
				DRAWN	12-22-14	DWG NO. ADV-8754 D	
				CHECKED	12-22-14		
				APPROVED	12-22-14		

20RESC

OCCUPIED STRUCTURE

COMBUSTIBLE WALL: 5 FT.
NON-COMBUSTIBLE WALL:
18" MIN. 3 FT RECOMMENDED



SERVICE DOOR
MOUNTING AREA

4 FT. CLEARANCE
AT EXHAUST END

OCCUPIED STRUCTURE

COMBUSTIBLE WALL: 5 FT.
NON-COMBUSTIBLE WALL:
18" MIN. 3 FT RECOMMENDED

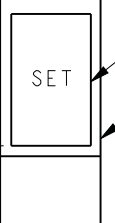


SERVICE DOOR
MOUNTING AREA

4 FT. CLEARANCE
AT EXHAUST END

OCCUPIED
STRUCTURE

COMBUSTIBLE WALL: 5 FT
NON-COMBUSTIBLE WALL:
18" MIN. 3 FT RECOMMENDED



SERVICE DOOR
MOUNTING AREA

4 FT. CLEARANCE
AT EXHAUST END

COMBUSTIBLE WALL: 5 FT.
NON-COMBUSTIBLE WALL:
18" MIN. 3 FT RECOMMENDED



NOTE:

- 1) THE RECOMMENDED DISTANCE FROM A STRUCTURE IS DEPENDENT ON STATE AND LOCAL CODES. NFPA 37, STANDARDS FOR THE INSTALLATION AND USE OF STATIONARY COMBUSTION ENGINES AND GAS TURBINES, STATES THIS DISTANCE SHOULD BE AT LEAST 5 FEET FROM A COMBUSTIBLE MATERIAL.
- 2) FOR INSTALLATIONS NEAR NON-COMBUSTIBLE STRUCTURE, A MINIMUM DISTANCE OF 18" IS REQUIRED TO ENSURE PROPER GENERATOR COOLING.

ACCEPTABLE

- 1) EXHAUST IS AIMED AWAY OR PARALLEL TO STRUCTURE.
- 2) EXHAUST IS NOT DIRECTED AT PLAY AREAS, PATIOS OR OTHER AREAS WHERE PEOPLE CONGREGATE.
- 3) THE NEAREST WINDOW, VENT, DOOR OR SIMILAR STRUCTURE OPENING IS AT LEAST 5 FEET FROM THE EXHAUST END OF THE SET.
- 4) SET HAS PROPER OFFSET FROM STRUCTURE.
- 5) WINDOWS & DOORS ON ADJACENT WALLS ARE CLOSED.
- 6) FURNACE AND OTHER SIMILAR INTAKES ARE AT LEAST 10 FEET FROM EXHAUST END OF SET.
- 7) WEED BARRIER AND 3 INCH THICK GRAVEL BASE OR CONCRETE PAD LOCATED TO PREVENT GRASS & WEEDS FROM GROWING TOO CLOSE TO THE SET.
- 8) NO PLANTS, SHRUBS OR OTHER COMBUSTIBLES ALLOWED IN CLEARANCE AREA. (MINIMUM 4 FT. FROM EXHAUST END).
- 9) REFER TO OWNERS MANUAL FOR OTHER INSTALLATION CONSTRAINTS.
- 10) NO PLANTS, SHRUBS, OR OTHER COMBUSTIBLES ALLOWED WITHIN 18" OF AIR INTAKE.

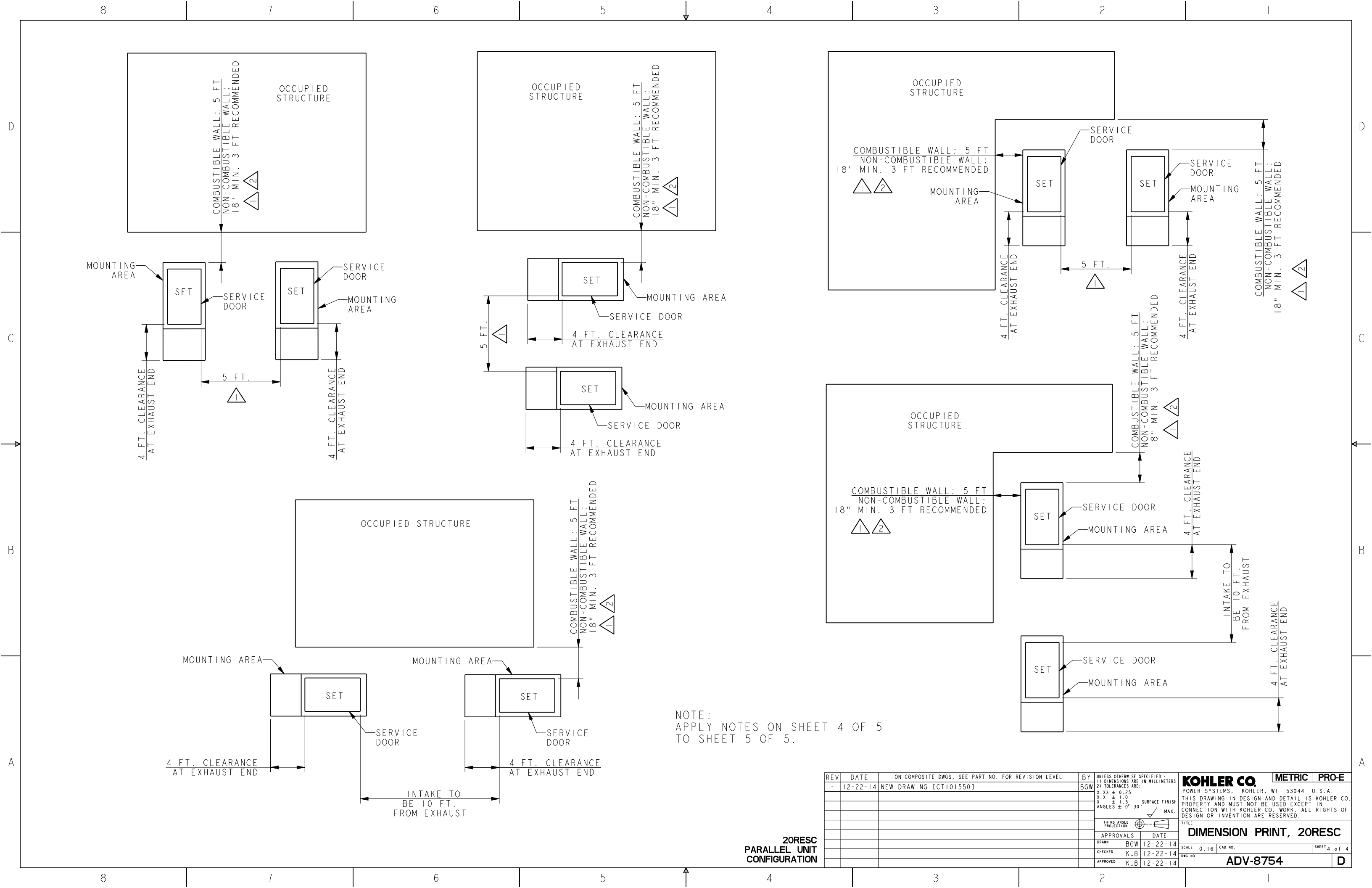
20RESC
SINGLE UNIT
CONFIGURATION

REV	DATE	ON COMPOSITE DWGS. SEE PART NO. FOR REVISION LEVEL	BY	UNLESS OTHERWISE SPECIFIED - 1) DIMENSIONS ARE IN MILLIMETERS 2) TOLERANCES ARE:
-	12-22-14	NEW DRAWING [CT101550]	BGW	X.XX ± X.X ± X ±
				ANGLES ±
				SURFACE FINISH MAX.
				THIRD ANGLE PROJECTION
				APPROVALS
				DATE
				DRAWN BGW 12-22-14
				CHECKED KJB 12-22-14
				APPROVED KJB 12-22-14

KOHLER CO. METRIC PRO-E
POWER SYSTEMS, KOHLER, WI 53044 U.S.A.
THIS DRAWING IN DESIGN AND DETAIL IS KOHLER CO. PROPERTY AND MUST NOT BE USED EXCEPT IN CONNECTION WITH KOHLER CO. WORK. ALL RIGHTS OF DESIGN OR INVENTION ARE RESERVED.

TITLE
DIMENSION PRINT, 20RESC

SCALE 0.40 CAD NO. SHEET 3 of 4
DWG NO. **ADV-8754** **D**



NOTE:
APPLY NOTES ON SHEET 4 OF 5
TO SHEET 5 OF 5.

20RESC
PARALLEL UNIT
CONFIGURATION

REV	DATE	ON COMPOSITE DWGS. SEE PART NO. FOR REVISION LEVEL	BY	UNLESS OTHERWISE SPECIFIED - 1) DIMENSIONS ARE IN MILLIMETERS 2) TOLERANCES ARE:
-	12-22-14	NEW DRAWING [CT101550]	BGW	X.XX ± 0.25 X.X ± 1.0 X ± 1.5 ANGLES ± 0° 30'
				SURFACE FINISH MAX.
				THIRD ANGLE PROJECTION
APPROVALS		DATE		
DRAWN		12-22-14		
CHECKED		12-22-14		
APPROVED		12-22-14		

KOHLER CO. METRIC PRO-E
POWER SYSTEMS, KOHLER, WI 53044 U.S.A.
THIS DRAWING IN DESIGN AND DETAIL IS KOHLER CO. PROPERTY AND MUST NOT BE USED EXCEPT IN CONNECTION WITH KOHLER CO. WORK. ALL RIGHTS OF DESIGN OR INVENTION ARE RESERVED.

TITLE
DIMENSION PRINT, 20RESC

SCALE 0.16 CAD NO. SHEET 4 of 4
DWG NO. **ADV-8754**