

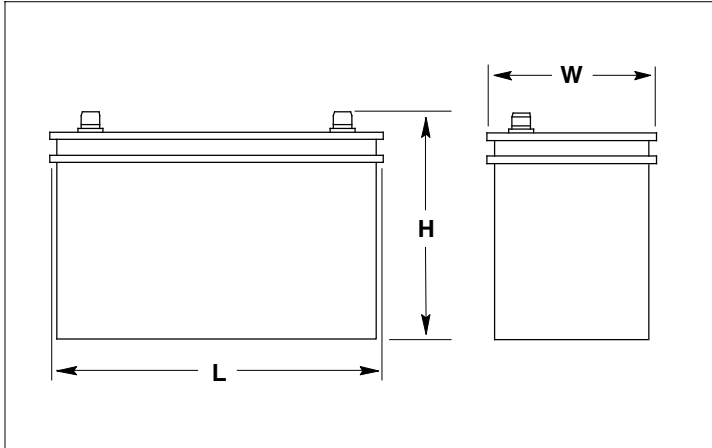
Residential/Commercial Generator Accessories

KOHLER Power Systems

System Batteries

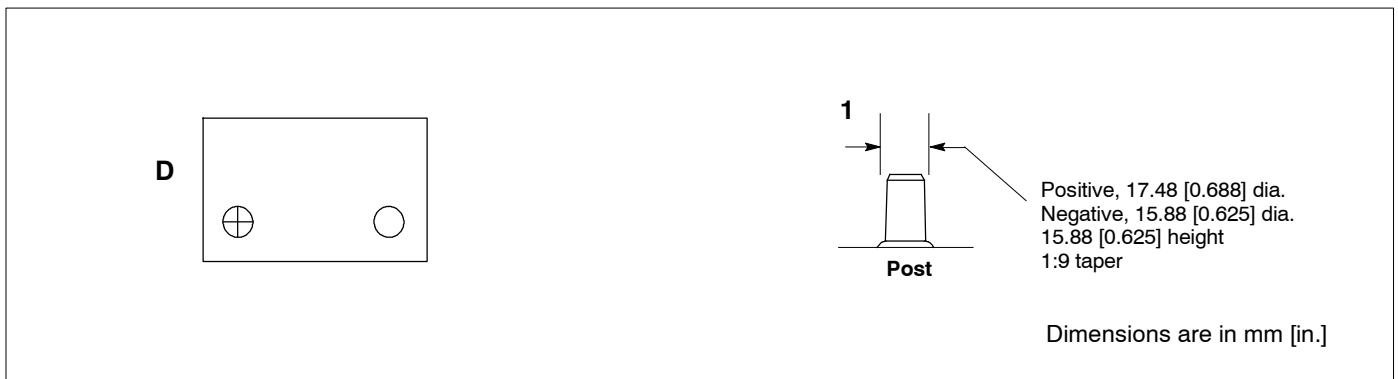
ISO 9001
KOHLER
POWER SYSTEMS
NATIONALLY REGISTERED

Overall Dimensions



- Kohler Co. selects batteries to meet the engine manufacturer's specifications and to comply with NFPA requirements for engine-cranking cycles.
- Heavy-duty starting batteries are the most cost-effective means of engine cranking and provide excellent reliability in generator set applications.
- Batteries are rated according to SAE standard J-537. All batteries are 12-volt and have lead-calcium or lead-antimony plates with sulfuric acid electrolyte.
- Tough polypropylene cases protect against life-shortening vibration and impact damage.
- Some batteries are equipped with removable cell covers to allow checking of electrolyte specific gravity.
- Some batteries are maintenance-free.

Battery Post Layout and Style



Battery Specifications

Gas Models with 12-Volt Engine Electrical Systems

Models	Charge Type*	Battery Kit Number	Battery Part Number	Battery Qty. per Kit	BCI Group Size	Battery SAE Dimensions, mm (in.)			Cold Cranking Amps at -18°C (0°F) Min.	Reserve Capacity Minutes at 27°C (80°F) Minimum	Battery Post Layout and Style
						L	W	H			
6VSG	Wet	GM75513-KP1	GM75512	1	51	238.0 (9.4)	129.0 (5.1)	223.0 (8.8)	500	85	D/1
8/10/12RESV(L)	Wet	GM75513-KP1	GM75512	1	51	238.0 (9.4)	129.0 (5.1)	223.0 (8.8)	500	85	D/1
8.5/12RES 12RESL 17/18RES(L)	Wet	GM48808-KP1	GM48784	1	26	208.0 (8.2)	173.0 (6.8)	196.9 (7.8)	525	70	D/1
14/20RES(L) 14/20RESA(L) 20RESC(L)	Wet	GM75513-KP1	GM75512	1	51	238.0 (9.4)	129.0 (5.1)	223.0 (8.8)	500	85	D/1
20RESB 20RESD	Wet	GM48808-KP1	GM48784	1	26	208.0 (8.2)	173.0 (6.8)	196.9 (7.8)	525	70	D/1
15/30RES 15/30RESA 15/30RYG 15/30REYG	Wet	GM48808-KP1	GM48784	1	26	208.0 (8.2)	173.0 (6.8)	196.9 (7.8)	525	70	D/1
24/30RCL† 38/48/60RCL† 38RCLB† 48RCLA†	Wet	GM89020-KP1	256984	1	24	273.0 (10.8)	173.0 (6.8)	228.6 (9.0)	650	120	D/1
40-125ERES‡ 50-125ERESB‡ 80-100ERESD‡ 125/150ERESC‡	Wet	256985 ‡	256984	1	24	273.0 (10.8)	173.0 (6.8)	228.6 (9.0)	650	120	D/1

* Charge type: Wet-charged batteries contain electrolyte.
 † For these models, batteries are only available as loose kits.
 ‡ For these models, batteries are only available factory-installed on the generator set.
Note: All models have a single starter motor. Batteries are for applications below and above 0°C (32°F).

DISTRIBUTED BY:

Availability is subject to change without notice. Kohler Co. reserves the right to change the design or specifications without notice and without any obligation or liability whatsoever. Contact your local Kohler® generator distributor for availability.

© 2004, 2006, 2011, 2012, 2013, 2014, 2015, 2016 by Kohler Co. All rights reserved.