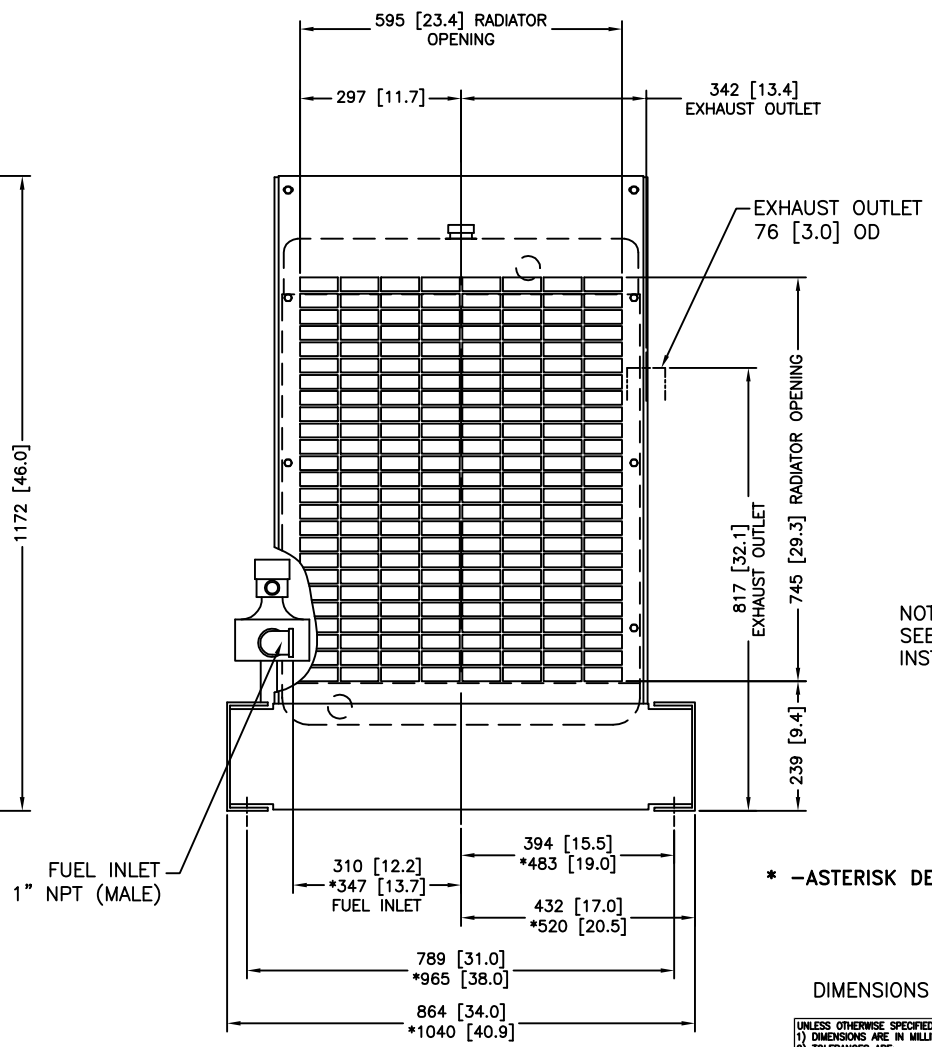
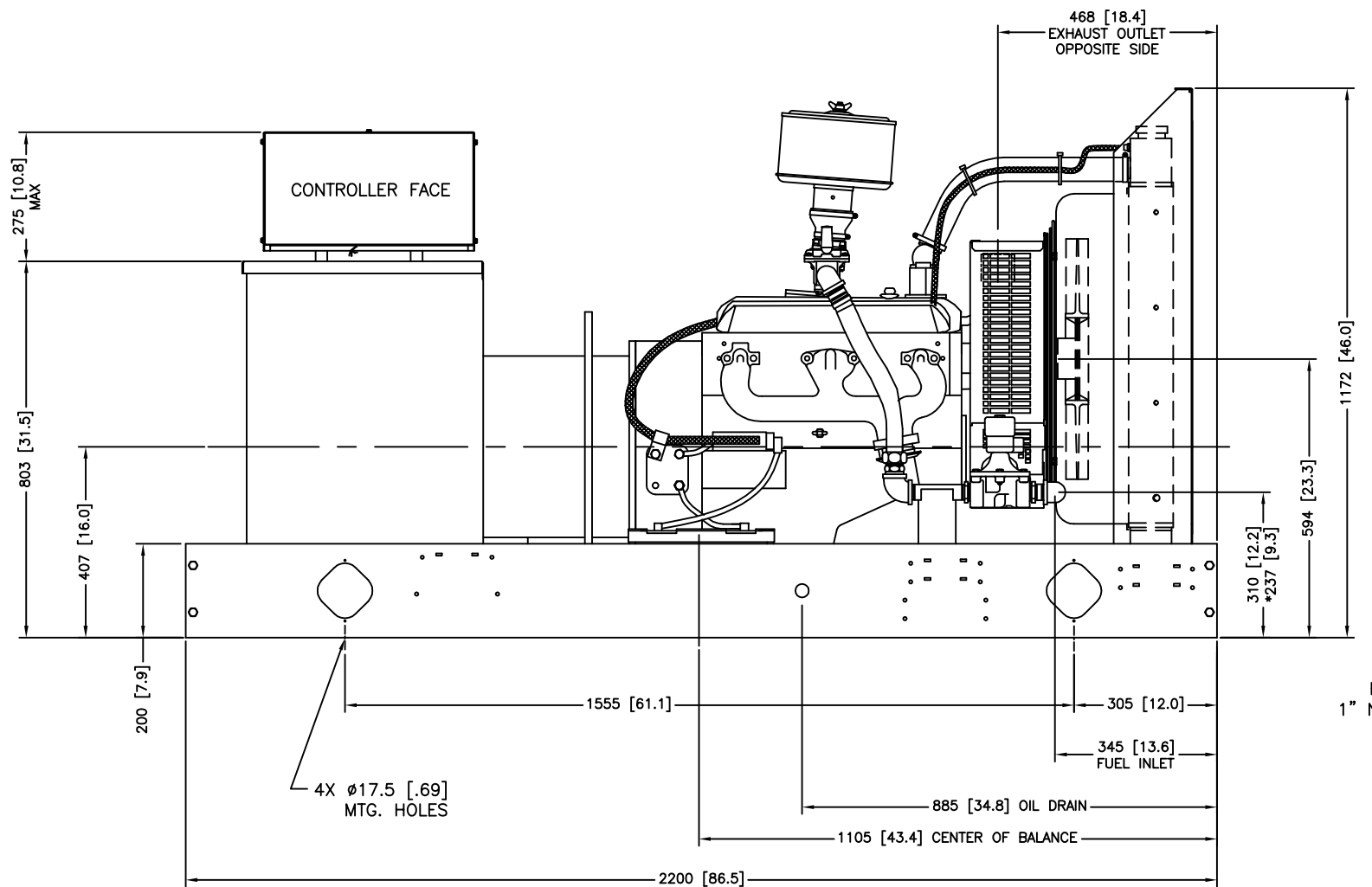
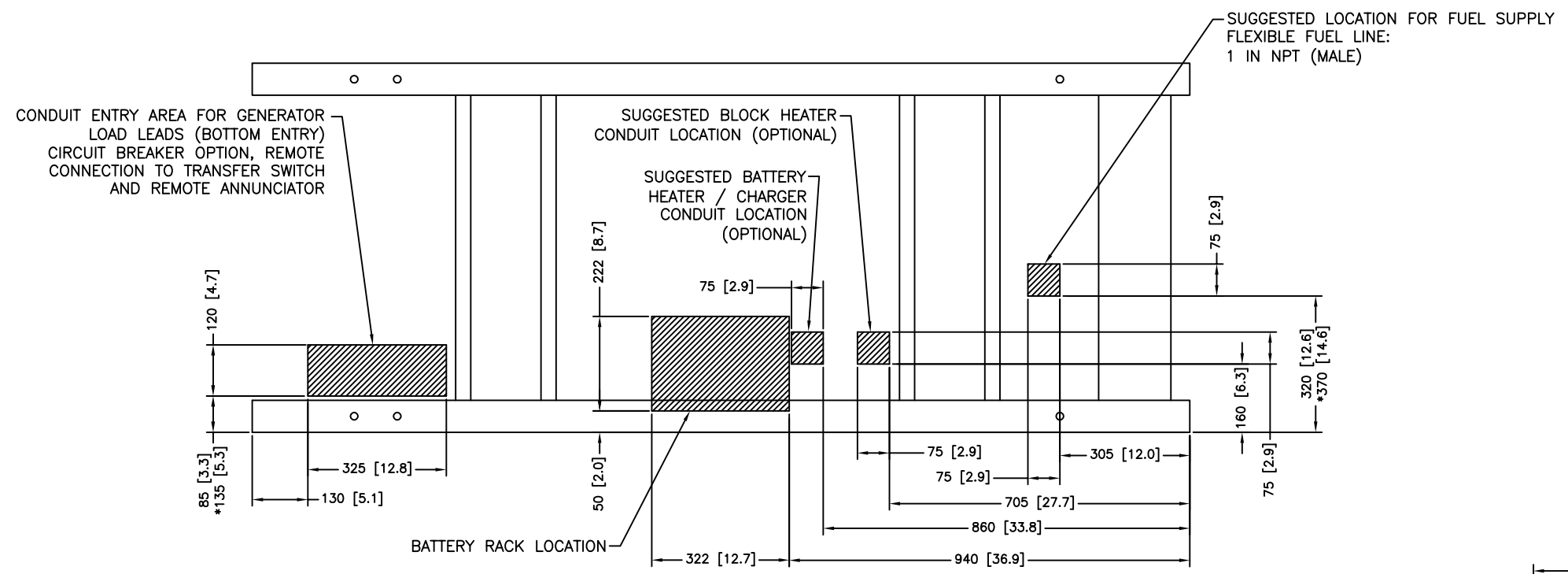


REV	DATE	REVISION	BY
P	12-17-02	STUB-UP CONDUIT LOCATIONS UPDATED, (C-6) BATTERY CHARGING	RAC
		STUB-UP ADDED, (B-1/D-3) SUBBASE TANK NOTES ADDED. [68636]	RAC
R	4-23-03	(B-2) 745 WAS 715. [69413]	RAC
S	8-7-03	(B-1, D-3) ALL REF. TO SUBBASE TANKS REMOVED. [70092]	MRR
T	5-23-05	SEE SHEET 4 [75122]	SAM
U	9-11-08	(B-1) SEISMIC NOTE ADDED [86012]	SAM
V	3-19-09	ALL INCH EQUIVALENT DIMS UPDATED [87391]	DJG



NOTE: IF IBC CERTIFICATION IS REQUIRED SEE SEISMIC ADV FOR INSTALLATION INSTRUCTIONS

MODEL	WEIGHT (WET)
50	712 KG [1570 LBS]
60	755 KG [1665 LBS]

* -ASTERISK DENOTES 1040 [40.9] SKID WIDTH

METRIC CAD FILE

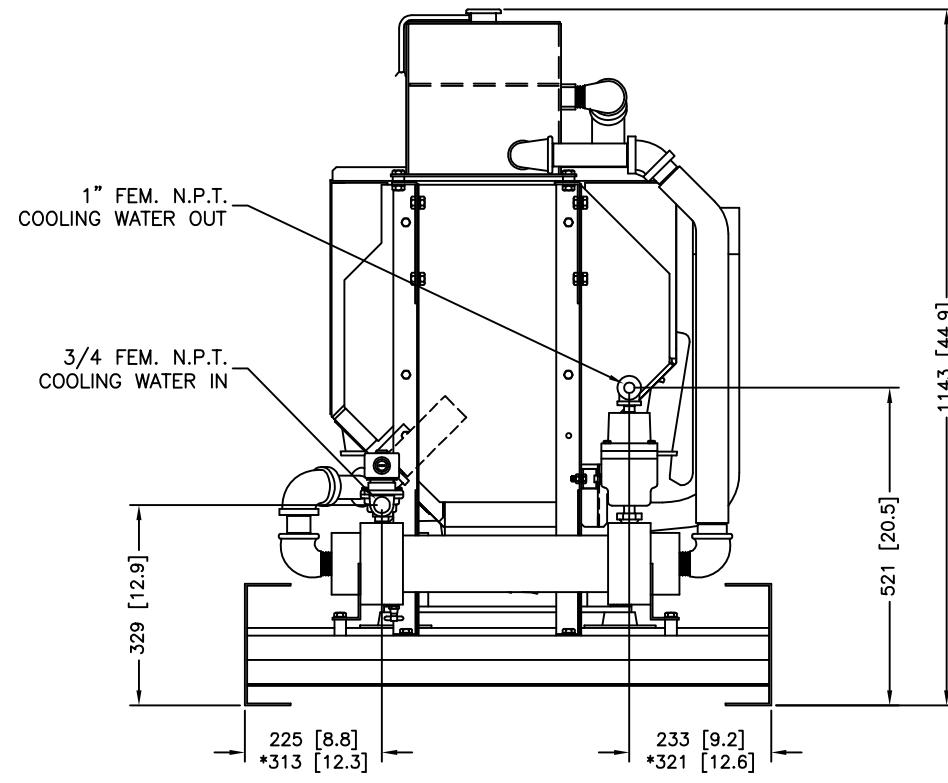
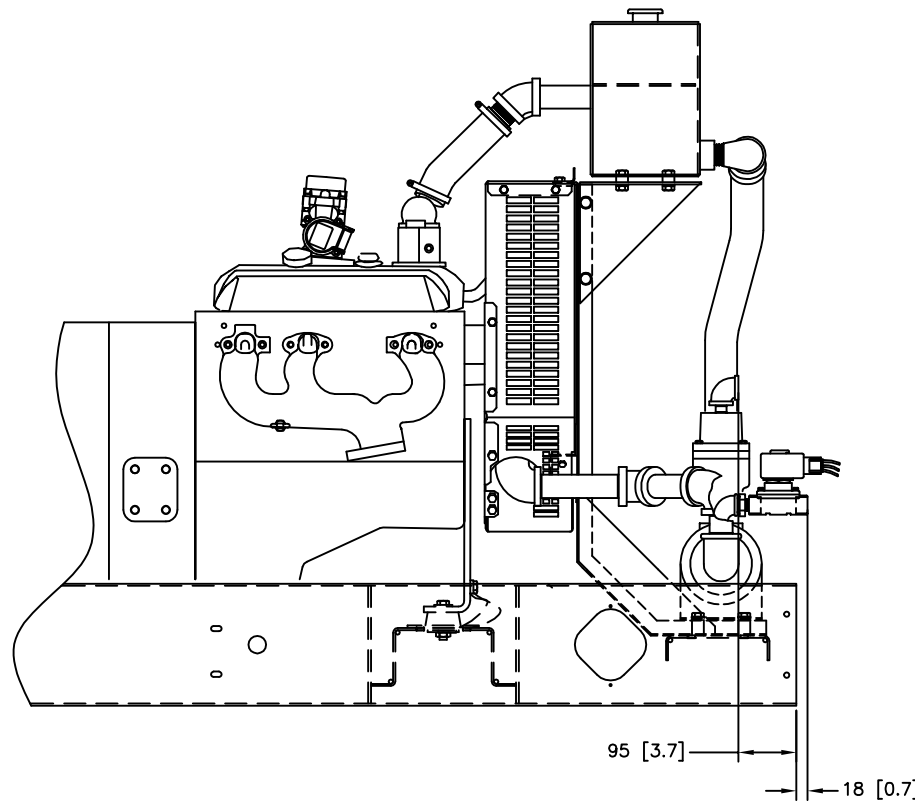
DIMENSIONS IN [] ARE INCH EQUIVALENT

UNLESS OTHERWISE SPECIFIED -
 1) DIMENSIONS ARE IN MILLIMETERS
 2) TOLERANCES ARE:
 X.XX ± 0.25 SURFACE FINISH
 X.X ± 1.0 ✓ MAX.
 X ± 1.5
 ANGLES ± 0°30'

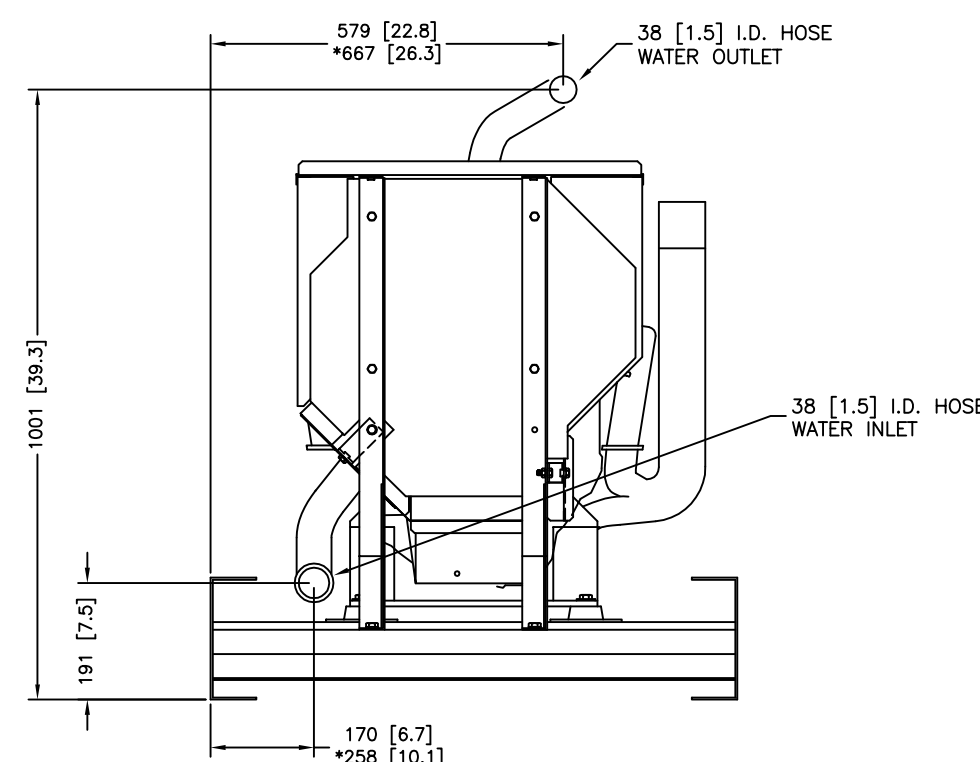
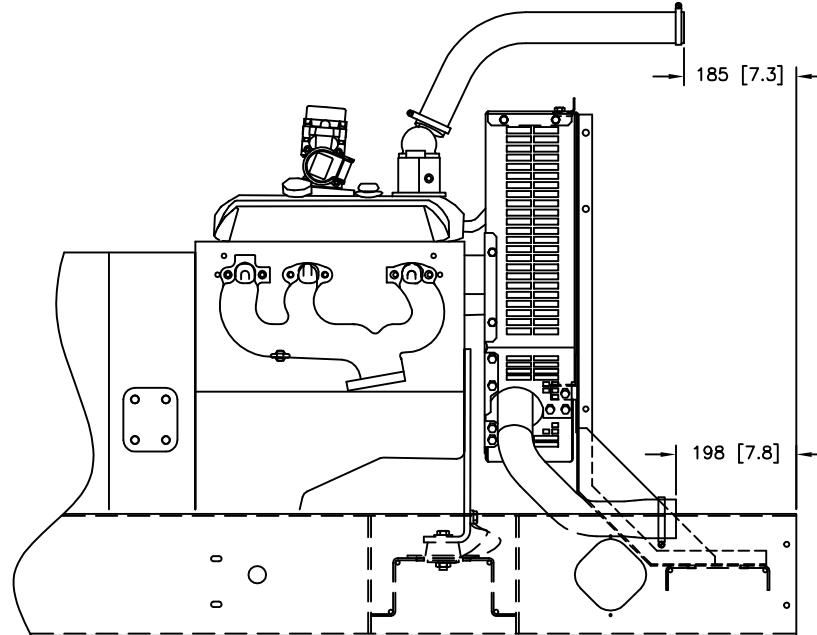
KOHLER CO.
 POWER SYSTEMS, KOHLER, WI 53044 U.S.A.
 THIS DRAWING, IN DESIGN AND DETAIL, IS KOHLER CO. PROPERTY AND MUST NOT BE USED EXCEPT IN CONNECTION WITH KOHLER CO. WORK. ALL RIGHTS OF DESIGN OR INVENTION ARE RESERVED.

50 MODEL, 4P8 60 MODEL, 4P10 RECONNECTABLE & 600V ALTERNATOR 5.0 & 5.7 LITER GM		TITLE DIMENSION PRINT 50/60 GM 4P8/10	
APPROVALS	DATE	SCALE	SHEET
DRAWN SAM	2-23-00	0.16X	1-4
CHECKED CF	2-28-00	DWG. NO. ADV6549A.DWG	
APPROVED CF	2-28-00	DWG. NO. ADV-6549	D

REV	DATE	REVISION	BY
N	1-2-02	SEE SHEET 1 OF 4 [66206]	DFS
P	12-17-02	SEE SHEET 1 & 4 OF 4. [68636]	RAC
R	4-23-03	SEE SHEET 1 OF 4 [69413]	RAC
S	8-7-03	SEE SHEET 1 OF 4 [70092]	MRR
T	5-23-05	SEE SHEET 4 [75122]	SAM
U	9-11-08	SEE SHEET 1 [86012]	SAM
V	3-19-09	ALL INCH EQUIVALENT DIMS UPDATED [87391]	DJG



CITY WATER COOLED



REMOTE RADIATOR

* -ASTERISK DENOTES 1040 [40.9] SKID WIDTH

METRIC CAD FILE

DIMENSIONS IN [] ARE INCH EQUIVALENT

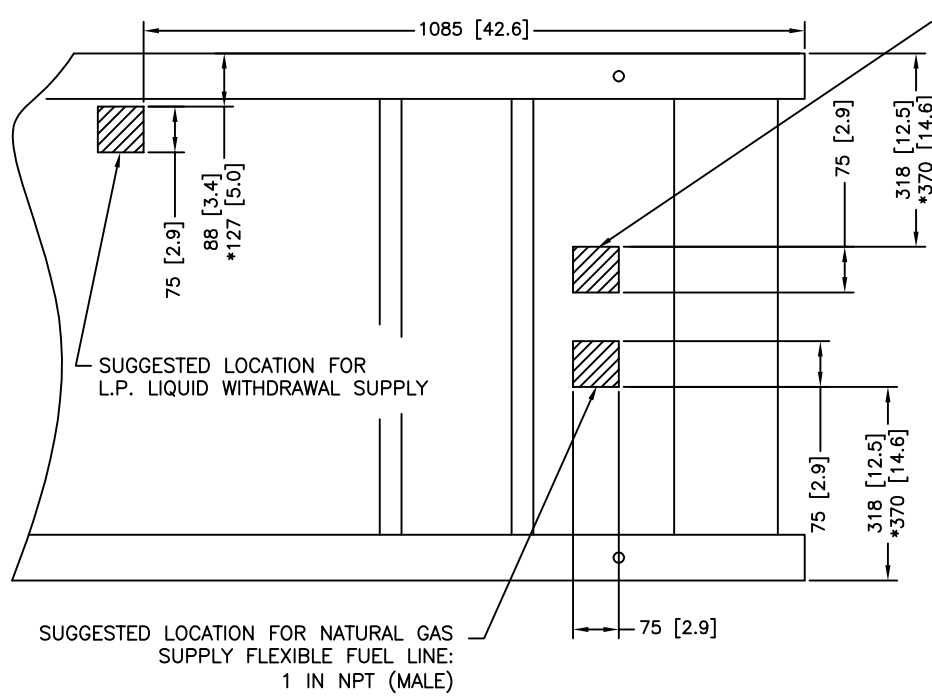
UNLESS OTHERWISE SPECIFIED -
 1) DIMENSIONS ARE IN MILLIMETERS
 2) TOLERANCES ARE:
 X.XX ± 0.25 SURFACE FINISH
 X.X ± 1.0 ✓ MAX.
 X ± 1.5
 ANGLES ± 0°30'

KOHLER CO.
 POWER SYSTEMS, KOHLER, WI 53044 U.S.A.
 THIS DRAWING, IN DESIGN AND DETAIL, IS KOHLER CO. PROPERTY AND
 MUST NOT BE USED EXCEPT IN CONNECTION WITH KOHLER CO. WORK.
 ALL RIGHTS OF DESIGN OR INVENTION ARE RESERVED.

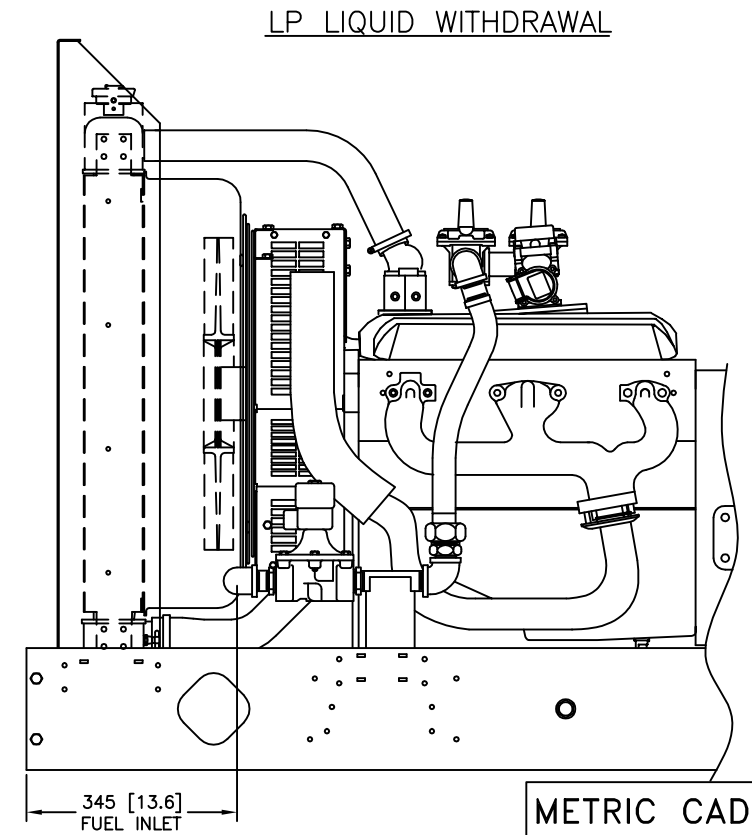
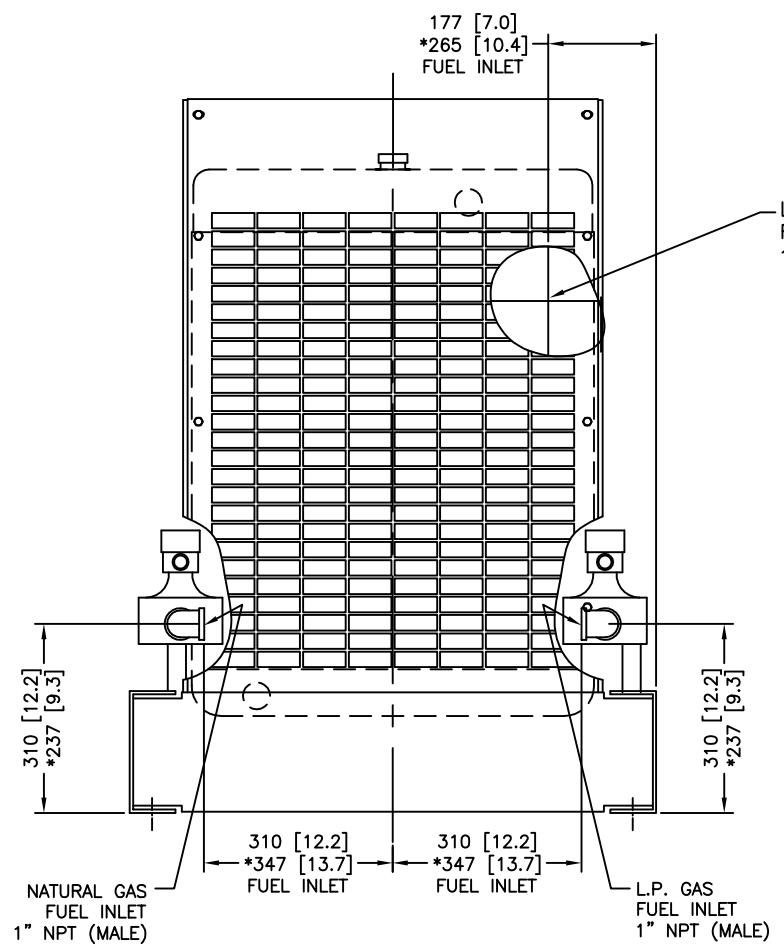
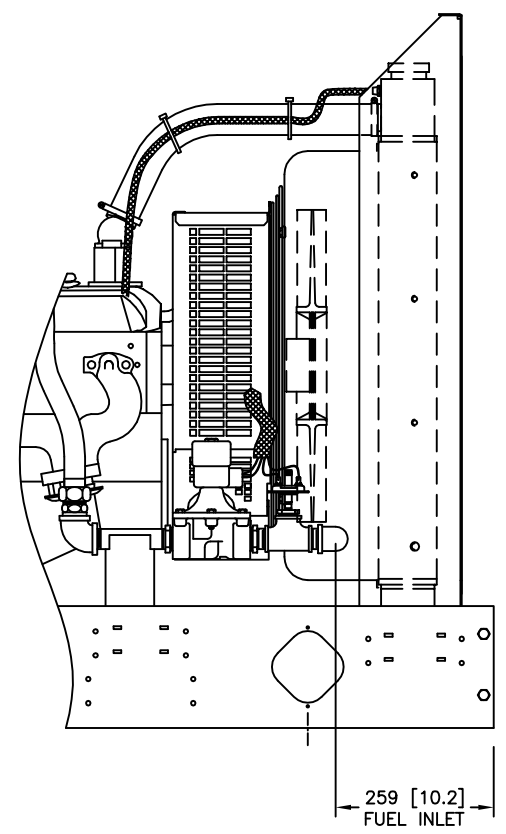
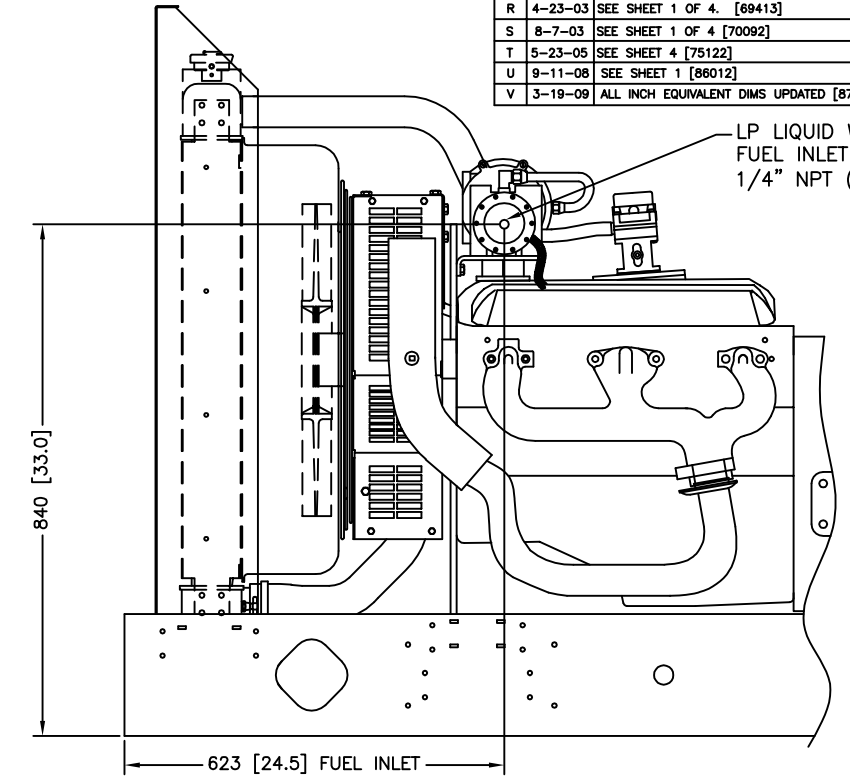
APPROVALS		DATE	TITLE	
DRAWN	SAM	6-14-00	DIMENSION PRINT	
CHECKED	CWF	6-15-00	50/60 GM 4P8/10	
APPROVED	CWF	6-15-00	SCALE 0.18X	CAD NO. ADV6549B.DWG SHEET 2-4
			DWG. NO. ADV-6549	D

50 MODEL, 4P8
 60 MODEL, 4P10
 RECONNECTABLE & 600V ALTERNATOR
 5.0 & 5.7 LITER GM

REV	DATE	REVISION	BY
N	1-2-02	SEE SHEET 1 OF 4 [66206]	DFS
P	12-17-02	SEE SHEET 1 & 4 OF 4. [68636]	RAC
R	4-23-03	SEE SHEET 1 OF 4. [69413]	RAC
S	8-7-03	SEE SHEET 1 OF 4 [70092]	MRR
T	5-23-05	SEE SHEET 4 [75122]	SAM
U	9-11-08	SEE SHEET 1 [86012]	SAM
V	3-19-09	ALL INCH EQUIVALENT DIMS UPDATED [87391]	DJG



* -ASTERISK DENOTES 1040 [40.9] SKID WIDTH



METRIC CAD FILE

DUAL FUEL NATURAL GAS & LP GAS

DIMENSIONS IN [] ARE INCH EQUIVALENT

UNLESS OTHERWISE SPECIFIED -
 1) DIMENSIONS ARE IN MILLIMETERS
 2) TOLERANCES ARE:
 X.XX ± 0.25 SURFACE FINISH
 X.X ± 1.0 ✓ MAX.
 X ± 1.5
 ANGLES ± 0°30'

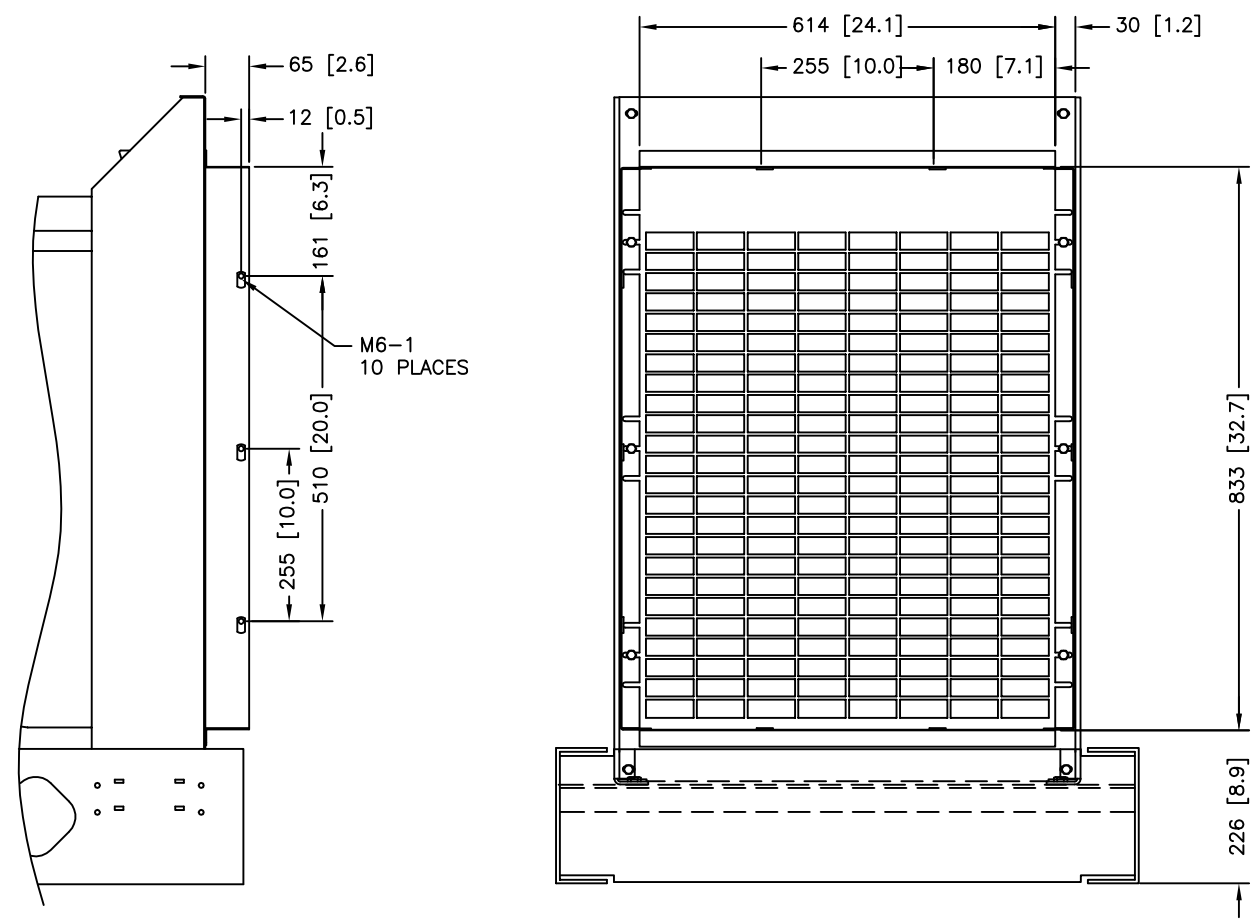
KOHLER CO.
 POWER SYSTEMS, KOHLER, WI 53044 U.S.A.
 THIS DRAWING, IN DESIGN AND DETAIL, IS KOHLER CO. PROPERTY AND
 MUST NOT BE USED EXCEPT IN CONNECTION WITH KOHLER CO. WORK.
 ALL RIGHTS OF DESIGN OR INVENTION ARE RESERVED.

APPROVALS	DATE	TITLE
DRAWN SAM	6-14-00	50 MODEL, 4P8 60 MODEL, 4P10 RECONNECTABLE & 600V ALTERNATOR 5.0 & 5.7 LITER GM
CHECKED CWF	6-15-00	
APPROVED CWF	6-15-00	

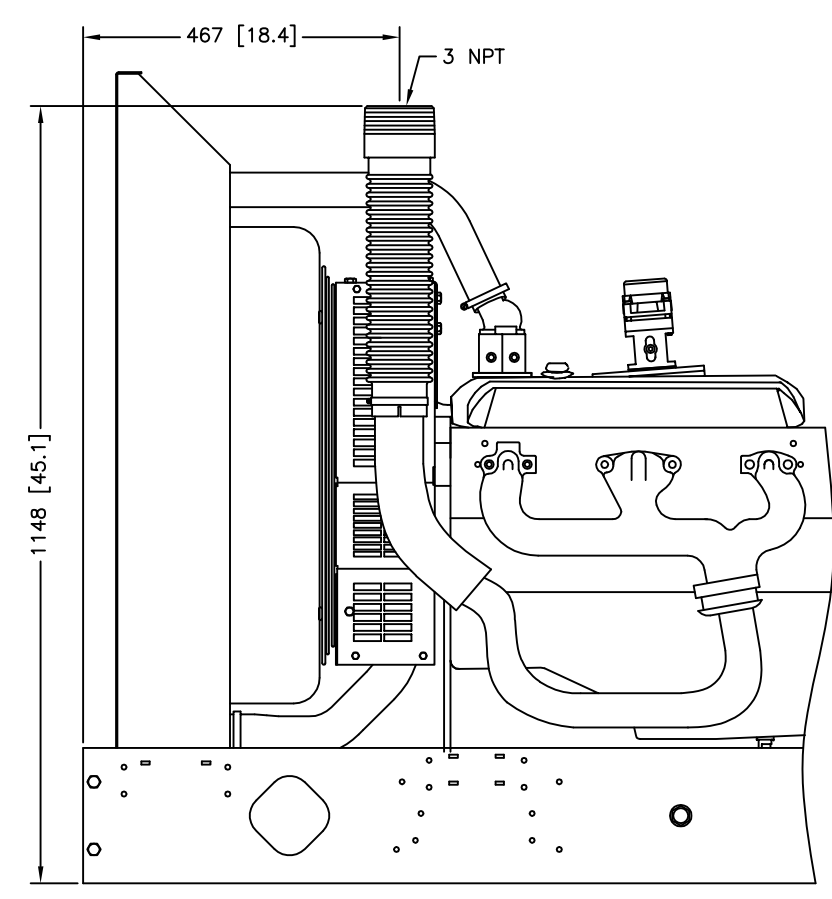
SCALE	CAD NO.	DWG. NO.	SHEET
0.18X	ADV6549C.DWG	ADV-6549	3-4

PLOTTED DATE

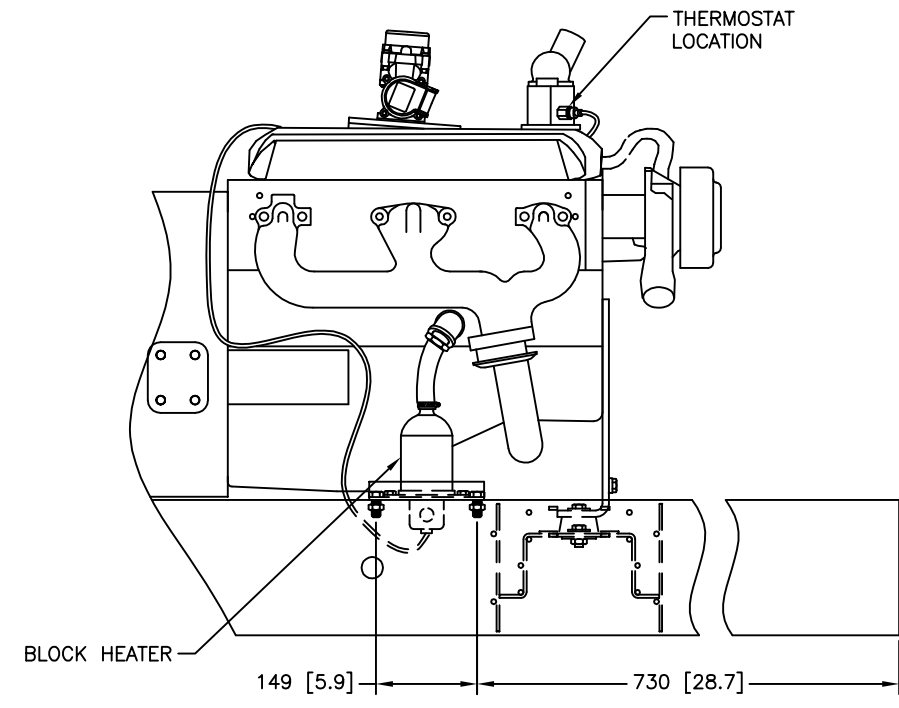
REV	DATE	REVISION	BY
N	1-2-02	SEE SHEET 1 OF 4 [66206]	DFS
P	12-17-02	(A-3) BATTERY CHARGER ADDED. [68636]	RAC
R	4-23-03	SEE SHEET 1 OF 4. [69413]	RAC
S	8-7-03	SEE SHEET 1 OF 4 [70092]	MRR
T	5-23-05	(D-7) DUCT FLANGE VIEW UPDATED [75122]	SAM
U	9-11-08	SEE SHEET 1 [86012]	SAM
V	3-19-09	ALL INCH EQUIVALENT DIMS UPDATED [87391]	DJG



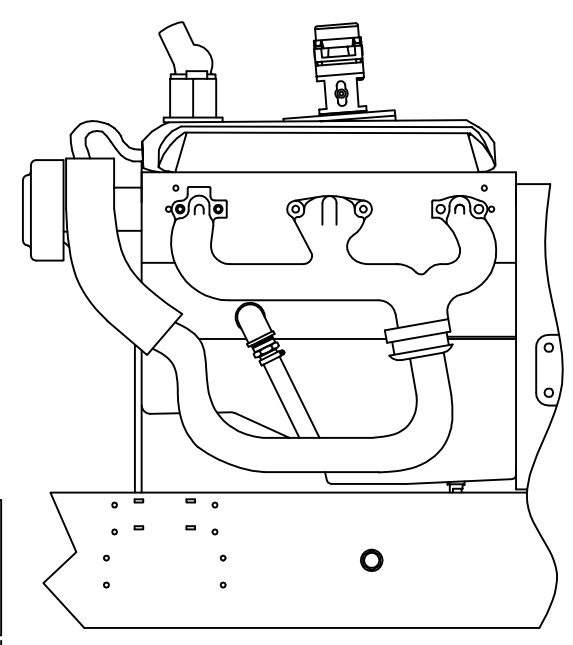
RADIATOR DUCT FLANGE



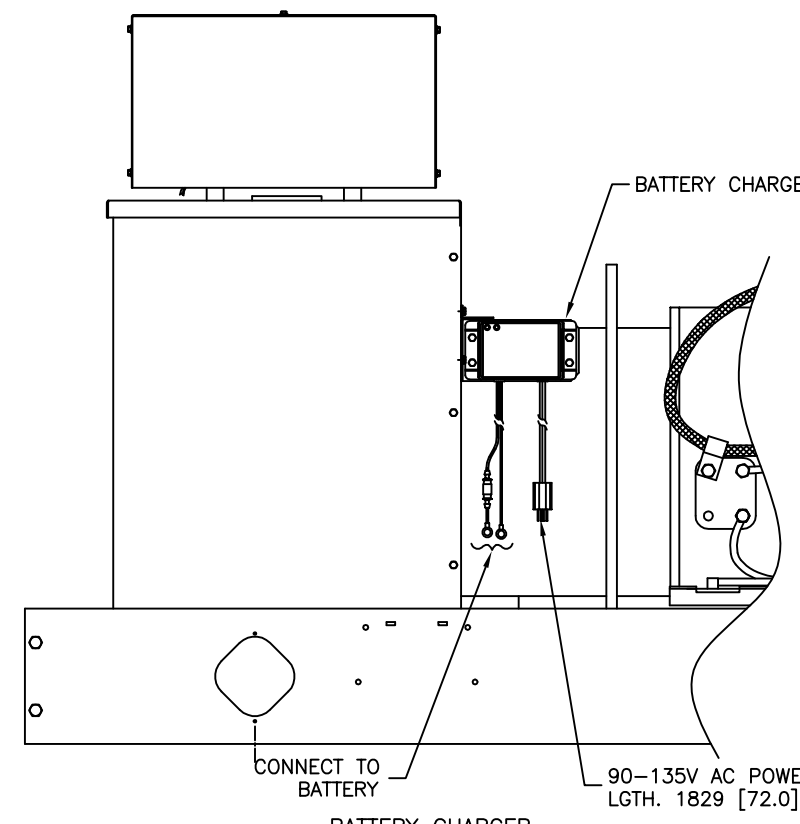
FLEX EXHAUST



BLOCK HEATER
120 AND 240 VOLT



BATTERY CHARGER



50 MODEL, 4P8
60 MODEL, 4P10
RECONNECTABLE & 60V ALTERNATOR
5.0 & 5.7 LITER GM

METRIC CAD FILE

DIMENSIONS IN [] ARE INCH EQUIVALENT

UNLESS OTHERWISE SPECIFIED -
1) DIMENSIONS ARE IN MILLIMETERS
2) TOLERANCES ARE:
X.XX ± 0.25 SURFACE FINISH
X.X ± 1.0 ✓ MAX.
X ± 1.5
ANGLES ± 0°30'

KOHLER CO.
POWER SYSTEMS, KOHLER, WI 53044 U.S.A.
THIS DRAWING, IN DESIGN AND DETAIL, IS KOHLER CO. PROPERTY AND
MUST NOT BE USED EXCEPT IN CONNECTION WITH KOHLER CO. WORK.
ALL RIGHTS OF DESIGN OR INVENTION ARE RESERVED.

APPROVALS	DATE
DRWN SAM	6-14-00
CHEK CWF	6-15-00
APPR CWF	6-15-00

TITLE	SCALE	DWG. NO.	SHEET
DIMENSION PRINT	0.2X	ADV6549D.DWG	4-4
50/60 GM 4P8/10			
ADV-6549			D

PLOTTED DATE