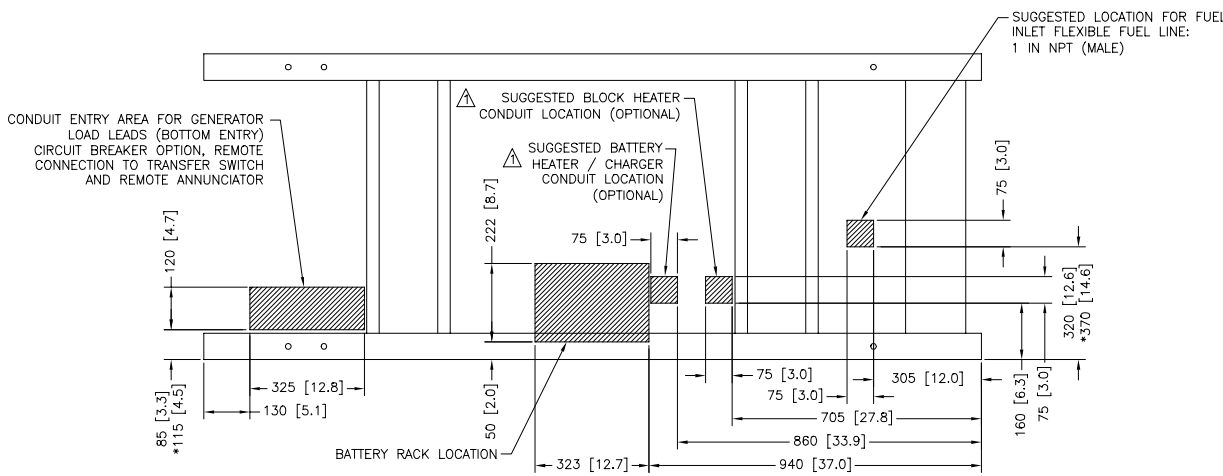
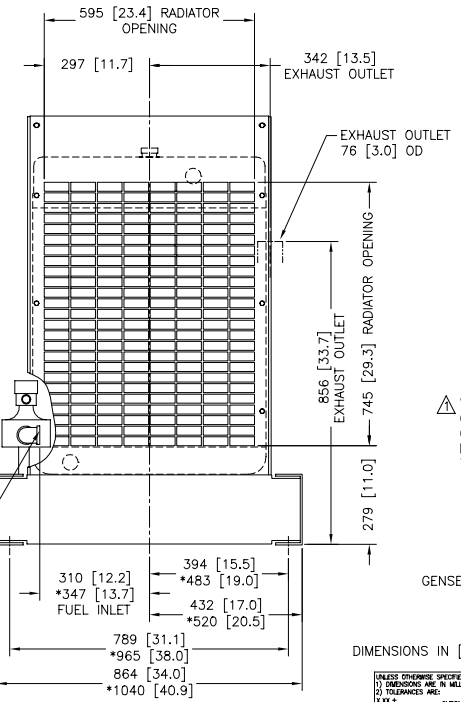
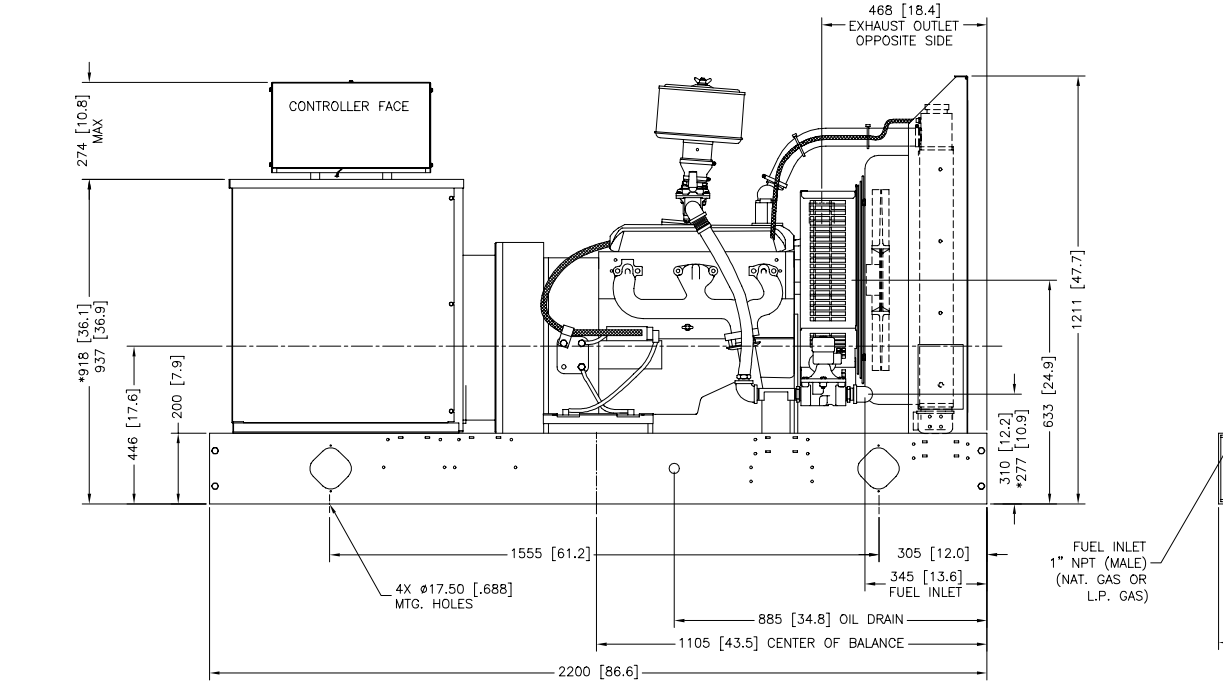


REV	DATE	REVISION	BY
K	9-17-02	(A-7) 4X Ø17.50 [.688] MTG. HOLES ADDED; (A-4) NAT. GAS OR L.P. GAS* ADDED TO FUEL INLET DESCRIPTION; (A-2) 4V7 ADDED TO DESCRIPTION [88124]	DFS
L	12-17-02	STUB-UP CONDUIT LOCATIONS UPDATED; (C-6) BATTERY CHARGING STUB-UP ADDED; (B-1/2-3) SUBBASE TANK NOTES ADDED. [88636]	RAC
M	4-23-03	(B-2) 745 WAS 715. [69413]	RAC



INSTALLATION NOTE
 IF SUBBASE FUEL TANK AND/OR SOUND HOUSING IS USED, REFER TO SUBBASE FUEL TANK ADV TO DETERMINE MOUNTING LOCATIONS.



⚠ WHEN SUBBASE TANK IS USED, CONDUIT MUST BE LOCATED OUTSIDE OF THE TANK AREA OR IN STUB-UP AREA FOR SUBBASE TANK. REFER TO SUBBASE ADV.

GENSET WEIGHT (WET): 813 KG [1793 LBS]

METRIC CAD FILE

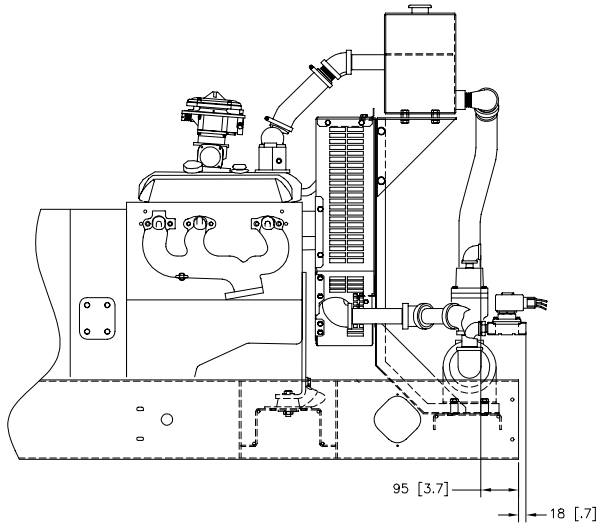
DIMENSIONS IN [] ARE INCH EQUIVALENTS.

* -ASTERISK DENOTES 1040 [40.9] SKID WIDTH

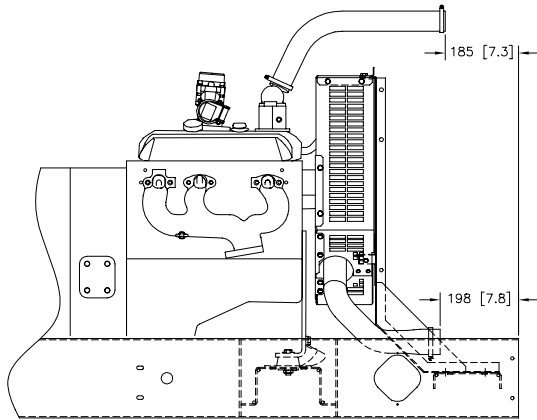
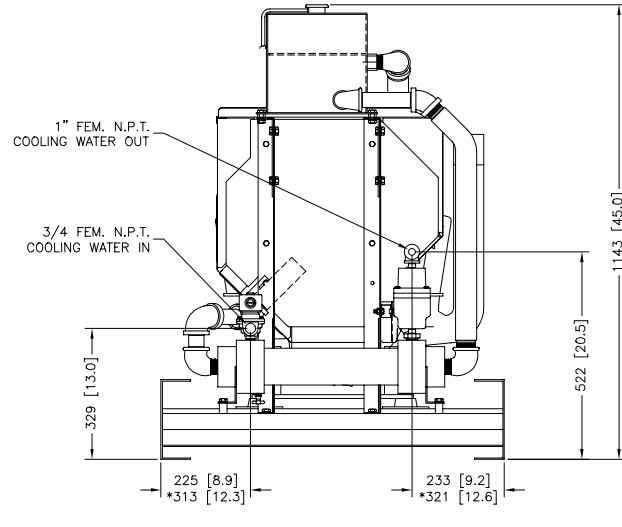
60 MODEL 4S7, 4V7
 IMPROVED MOTOR STARTING (IMS)
 RECONNECTABLE & 600V ALTERNATORS
 5.7 LITER GM

UNLESS OTHERWISE SPECIFIED: (1) DIMENSIONS ARE IN MILLIMETERS (2) TOLERANCES ARE: F & G ± .15 H ± .25 J ± .38 K ± .51 L ± .64 M ± .76 N ± .89 P ± 1.27 Q ± 1.52 R ± 1.78 S ± 2.13 T ± 2.54 U ± 3.05 V ± 3.81 W ± 4.57 X ± 5.41 Y ± 6.35 Z ± 7.62 ANGLES ±		SURFACE FINISH MAX. ✓	
KOHLER CO. POWER SYSTEMS, KOHLER, WI 53044 U.S.A. THIS DRAWING, IN DESIGN AND DETAIL, IS PROPERTY OF KOHLER CO. NO PART MAY BE USED WITHOUT THE WRITTEN PERMISSION OF KOHLER CO. WORK ALL RIGHTS OF DESIGN OR INVENTION ARE RESERVED.		TITLE: DIMENSION PRINT 60 GM, 4S7	
DRAWN: SAM CHECKED: CF APPROVED: CF	DATE: 2-23-00 2-28-00 2-28-00	SCALE: 0.2X DESK NO.: ADV5550A.DWG SHEET: 1-4	PLOTTED DATE: ADV-6550

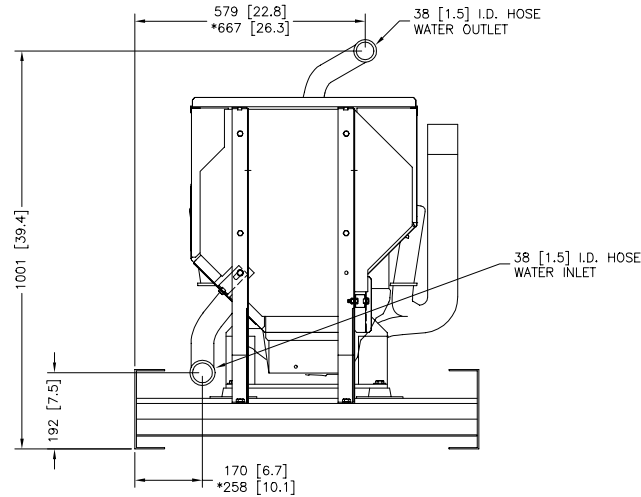
REV	DATE	REVISION	BY
H	3-16-01	SEE SHEET 5-5. [64170]	LRH
J	6-5-01	(A-1) SHEET 2-4 WAS 2-5 [64769]	JJC
K	9-17-02	(A-2) 4V7 ADDED TO DESCRIPTION & SEE SHEETS 1 & 3 OF 4 [68124]	DJS
L	12-17-02	SEE SHEET 1 & 4 OF 4. [68636]	RAC
M	4-23-03	SEE SHEET 1 OF 4. [69413]	RAC



CITY WATER COOLED



REMOTE RADIATOR



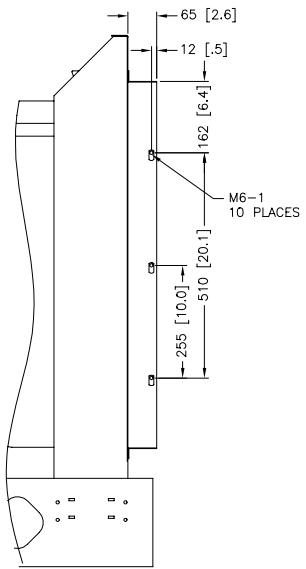
* -ASTERISK DENOTES 1040 [40.9] SKID WIDTH

METRIC CAD FILE

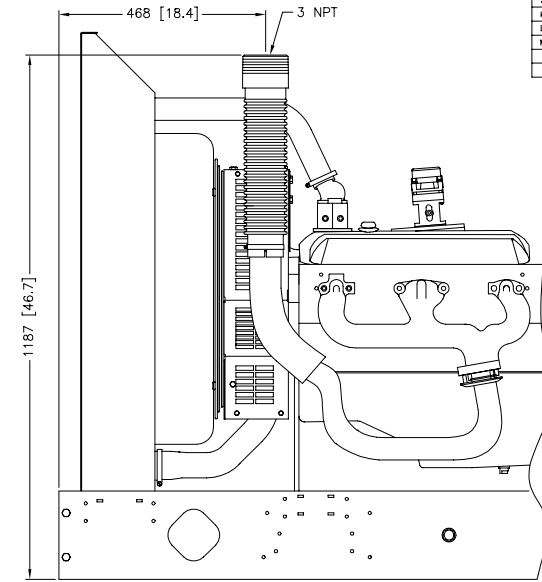
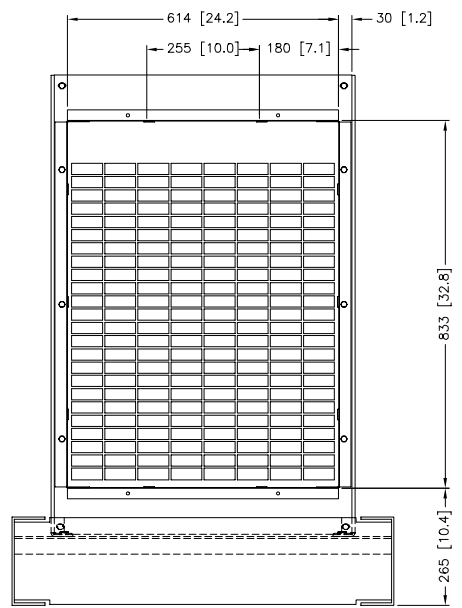
DIMENSIONS IN [] ARE INCH EQUIVALENT

UNLESS OTHERWISE SPECIFIED: 1) DIMENSIONS ARE IN MILLIMETERS 2) TOLERANCES ARE: X.XX ± 0.25 SURFACE FINISH X.X ± 1.0 X ± 1.5 ANGLES ± 0.30°		KOHLER CO. POWER SYSTEMS, KOHLER, WI 53044 U.S.A. THIS DRAWING IS DESIGN AND PROP. OF KOHLER CO. PROPERTY AND MUST BE USED EXCEPT IN CONNECTION WITH KOHLER CO. WORK. ALL RIGHTS OF DESIGN OR INVENTION ARE RESERVED.	
TITLE: DIMENSION PRINT 60 GM. 4S7	DRAWN: SAM CHECKED: CWF APPROVED: CWF	DATE: 6-15-00 DATE: 6-15-00 DATE: 6-15-00	SHEET: 2-4 FILE NO.: ADV550B.DWG PLOTTED DATE:

60 MODEL 4S7, 4V7
IMPROVED MOTOR STARTING (IMS)
RECONNECTABLE & 600V ALTERNATOR
5.7 LITER GM

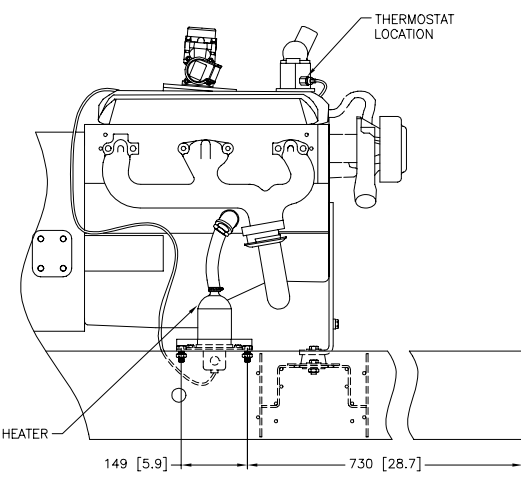


RADIATOR DUCT FLANGE

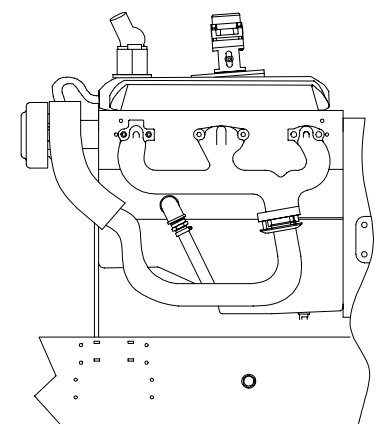


FLEX EXHAUST

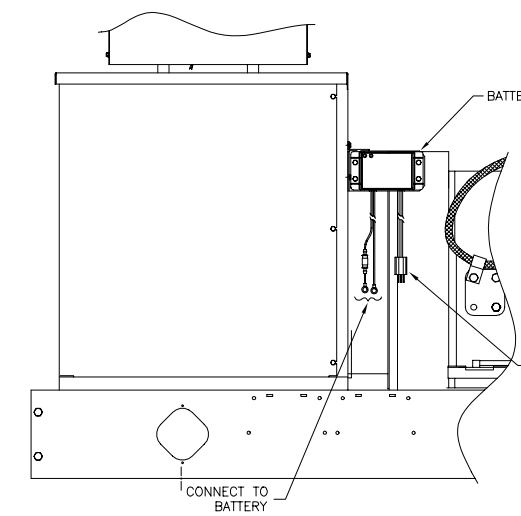
REV	DATE	REVISION	BY
H	3-16-01	SEE SHEET 5-5. [64170]	LRH
J	6-5-01	(A-1) SHEET 4-4 WAS 4-5; SHEET 5 REMOVED [64769]	JJC
K	9-17-02	(A-2) REV ADDED TO DESCRIPTION & SEE SHEETS 1 & 3 OF 4 [68124]	DPS
L	12-17-02	(A-3) BATTERY CHARGER ADDED. [68636]	RAC
M	4-23-03	SEE SHEET 1 OF 4. [69413]	RAC



BLOCK HEATER
120 AND 240 VOLT



BATTERY CHARGER



90-135V AC POWER CORD
LGTH. 1829 [72.0]

METRIC CAD FILE

DIMENSIONS IN [] ARE INCH EQUIVALENT

UNLESS OTHERWISE SPECIFIED:
 (1) DIMENSIONS ARE IN MILLIMETERS
 (2) TOLERANCES ARE:
 FRACTIONS DECIMALS SURFACE FINISH
 1/16" ± .005" MAX.
 1/32" ± .002" MAX.
 1/64" ± .001" MAX.
 ANGLES ±

THIS AREA APPROVED FOR PRODUCTION

POWER SYSTEMS, KOHLER, WI 53044 U.S.A.
 THIS DRAWING IS DESIGN AND DRAWING IS TRADE CO. PROPERTY AND
 MUST NOT BE USED WITHOUT THE CONSENT OF KOHLER CO. WORK
 ALL RIGHTS OF DESIGN OR INVENTION ARE RESERVED.

KOHLER CO.

TITLE: DIMENSION PRINT
 60 GM, 4S7

60 MODEL 4S7, 4V7
 IMPROVED MOTOR STARTING (IMS)
 RECONNECTABLE & 600V ALTERNATOR
 5.7 LITER GM

DRAWN: SAM 6-15-00
 CHECKED: CWF 6-19-00
 APPROVED: CWF 6-19-00

SCALE: 0.2X
 DWG NO: ADV5500.DWG
 SHEET: 4-4

PLOTTED DATE: 1