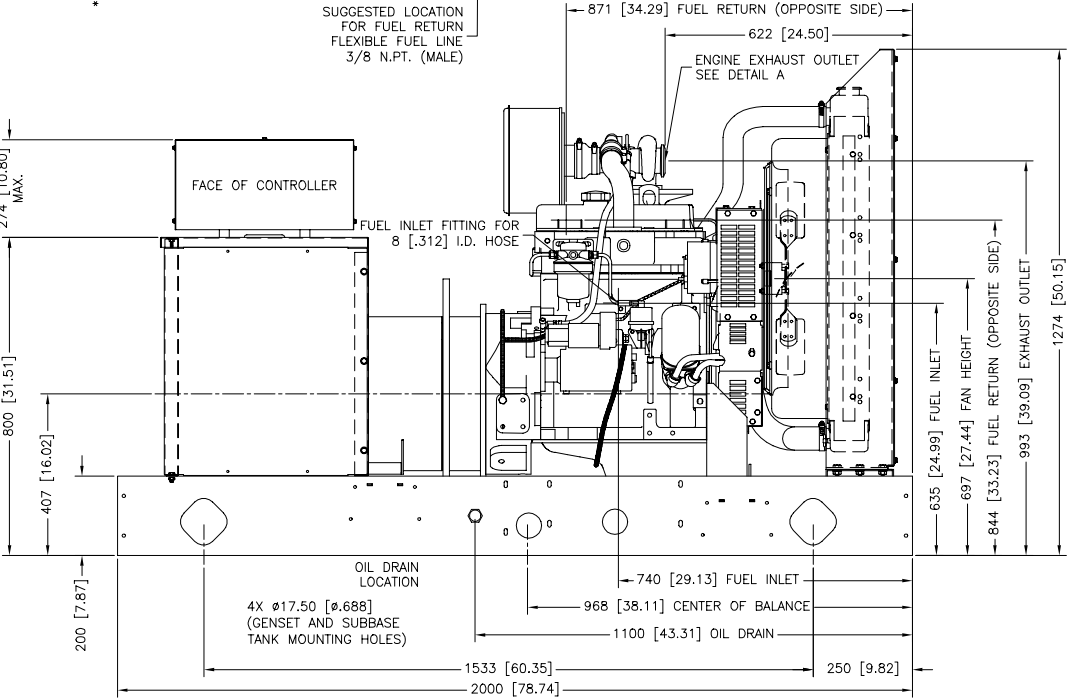
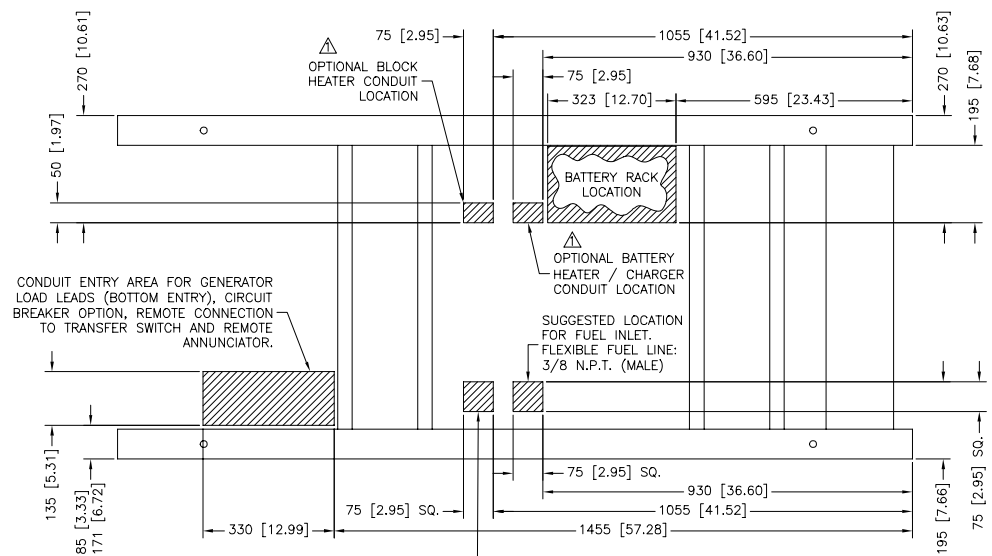
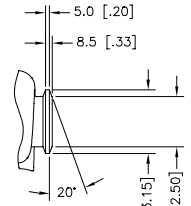


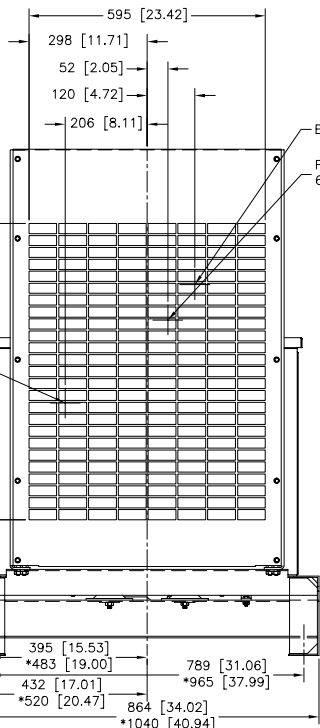
REV	DATE	REVISION	BY
G	4-28-03	SEE SHEET 2 OF 3 [69412]	RAC
H	11-11-03	SEE SHEET 2 & 3 OF 3 [70918]	RAC
J	12-8-03	(0-8) VIEW CORRECTED [71087]	SAM
K	4-8-06	(A-6) 1100 IMS 1003 [72346]	SAM
L	9-7-06	SEE SHEET 3 [75122]	SAM
M	4-3-06	(B-1) SUBBASE TANK REMOVED FROM 1040 SKID NOTE [77738]	SAM



INSTALLATION NOTE
 IF SUBBASE FUEL TANK AND/OR SOUND HOUSING IS USED, REFER TO SUBBASE FUEL TANK ADV TO DETERMINE MOUNTING LOCATIONS.



DETAIL A
ENGINE EXHAUST & OUTLET



MODEL	GENSET WEIGHT (WET)
20 4P4, 4Q4	680 KG [1500 LBS]
30 4Q4	
30 4P5	696 KG [1535 LBS]
40 4P7, 4P8, 4Q10	757 KG [1670 LBS]

*-ASTERISK DENOTES 1040 [40.9] SKID WIDTH.

ENCLOSURES AVAILABLE WITH 1040 [40.9] SKID WIDTH ONLY.

NOTES:
 Δ WHEN SUBBASE TANK IS USED, CONDUIT MUST BE LOCATED OUTSIDE OF TANK AREA OR IN STUB-UP AREA FOR SUBBASE TANK. REFER TO SUBBASE ADV.

2) DIMENSIONS IN [] ARE ENGLISH EQUIVALENTS.

3) IF AN ENCLOSURE IS USED THE FUEL LINE MUST BE STUBBED UP FROM DIRECTLY UNDER THE UNIT OR BROUGHT IN FROM THE END OF THE SKID. REFER TO ENCLOSURE ADV.

METRIC CAD FILE

20 MODEL, 4P4
 30 MODEL, 4P5/4Q4
 40 MODEL, 4P7, 4P8, 4Q10
 RECONNECTABLE
 IMPROVED MOTOR STARTING (IMS) RECONNECTABLE
 600V & 1 PHASE ALTERNATORS
 3029TF JOHN DEERE

KOHLER CO.
 POWER SYSTEMS, KOHLER, WI 53044 U.S.A.
 THIS DRAWING IS DESIGN AND FINAL. IS KOHLER CO. PROPERTY AND MUST NOT BE USED WITHOUT THE CONSENT OF KOHLER CO. WORK ALL RIGHTS OF DESIGN OR INVENTION ARE RESERVED.

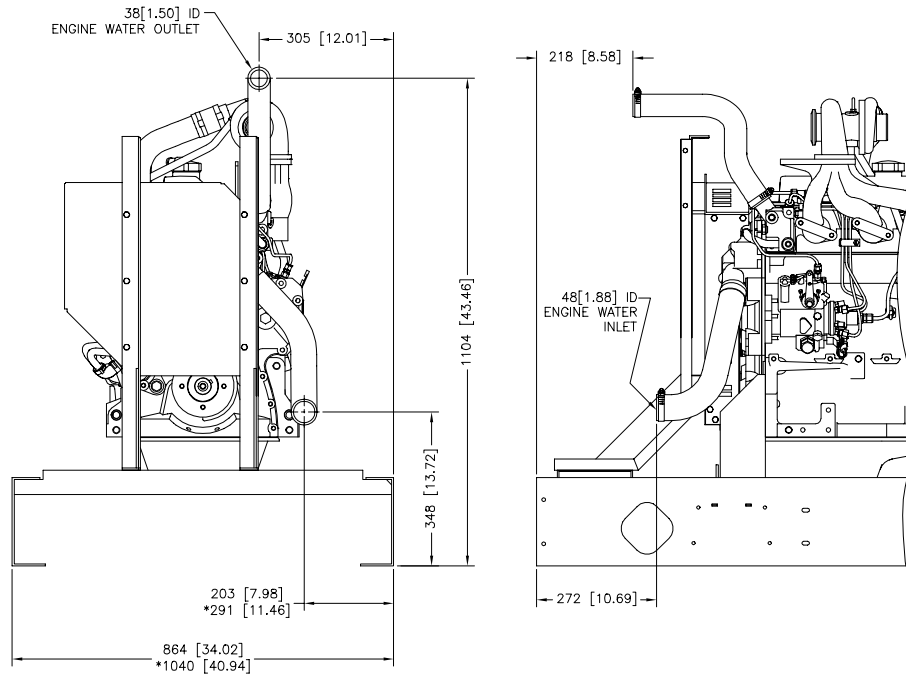
DIMENSION PRINT

UNLESS OTHERWISE SPECIFIED:
 1) DIMENSIONS ARE IN MILLIMETERS
 2) TOLERANCES ARE:
 FRACTIONS DECIMALS SURFACE FINISH
 1/16" ± .005 MAX.
 1/32" ± .002 MAX.
 1/64" ± .001 MAX.

DATE: 4-25-01
 DRAWN: BTW
 CHECKED: CWF
 APPROVED: CWF

SCALE: 1:8 XP
 DOC NO: ADV6623A.DWG
 SHEET: 1-3
 REV. NO: ADV-6623

REV	DATE	REVISION	BY
F	12-16-02	SEE SHEET 1 & 3 OF 3. [66636]	RAC
G	4-28-03	(D-3) 305 WAS 451, (C-2) 1104 WAS 1043. [68412]	RAC
H	11-11-03	(B-6) CITY WATER COOLING REMOVED. [70916]	RAC
J	12-8-03	SEE SHEET 1 [71067]	SAM
K	4-5-05	SEE SHEET 1 [72346]	SAM
L	4-3-06	SEE SHEET 3 [75122]	SAM
M	9-7-05	(A-1) SUBBASE TANK REMOVED FROM 1040 SKID NOTE [77738]	SAM



REMOTE RADIATOR SETUP

*-ASTERISK DENOTES 1040 [40.9] SKID WIDTH.

ENCLOSURES AVAILABLE WITH 1040 [40.9] SKID WIDTH ONLY.

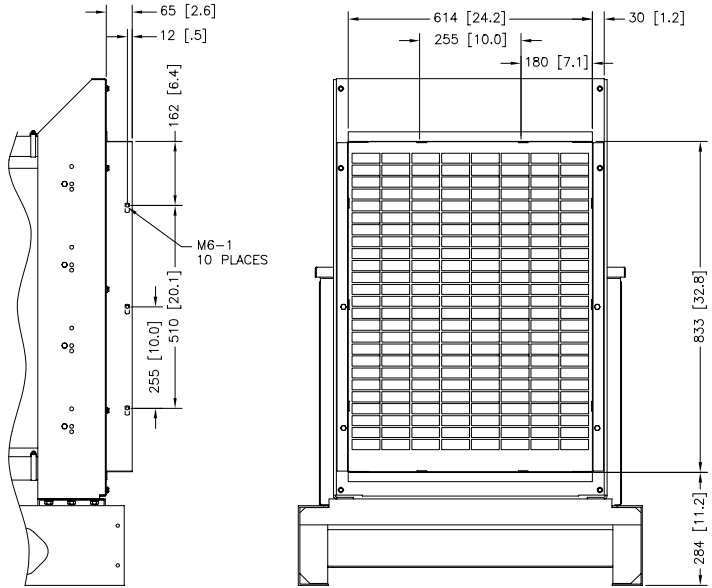
NOTES:
1) DIMENSIONS IN [] ARE ENGLISH EQUIVALENTS.

METRIC CAD FILE

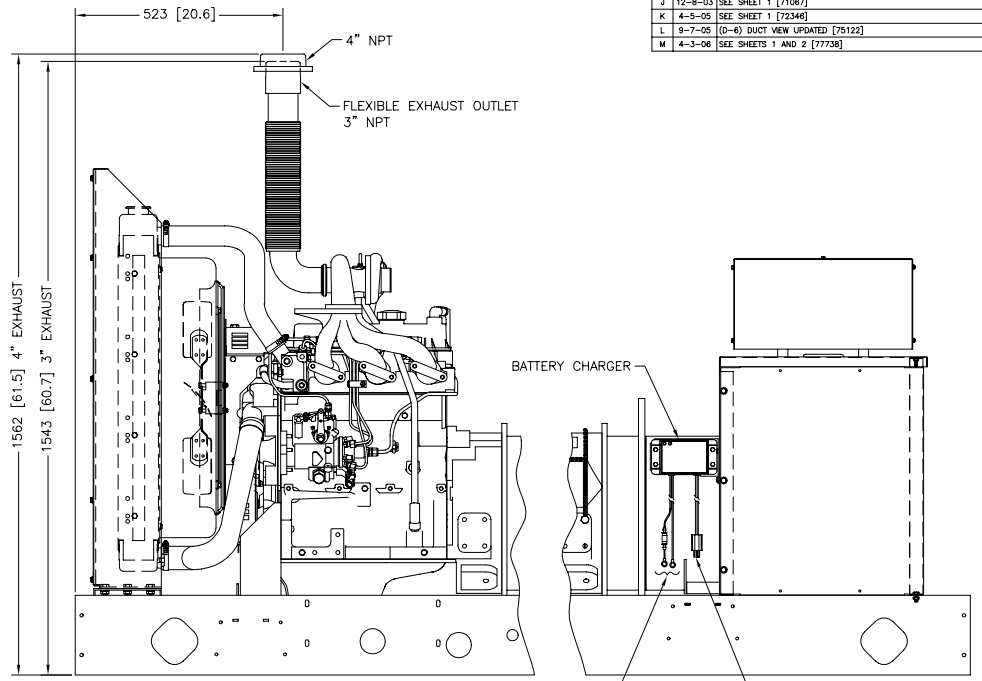
20 MODEL, 4P4
30 MODEL, 4P5/4Q4
40 MODEL, 4P7, 4P8, 4Q10
RECONNECTABLE
IMPROVED MOTOR STARTING (IMS) RECONNECTABLE
600V & 1 PHASE ALTERNATORS
3029TF JOHN DEERE

UNLESS OTHERWISE SPECIFIED: 1) DIMENSIONS ARE IN MILLIMETERS 2) TOLERANCES ARE: L & T SURFACE FINISH H ± MAX. K ± ANGLES ±		KOHLER CO. POWER SYSTEMS, KOHLER, WI 53044 U.S.A. THIS DRAWING IS DESIGN AND TRADE INTELLECTUAL PROPERTY AND SHOULD NOT BE USED WITHOUT THE CONSENT OF KOHLER CO. WORK ALL RIGHTS OF DESIGN OR INVENTION ARE RESERVED.	
DRAWN: BTW 4-25-01 CHECKED: CWF 6-01-01 APPROVED: CWF 6-01-01		TITLE: DIMENSION PRINT SHEET: 2-3	
DRAWN: BTW 4-25-01 CHECKED: CWF 6-01-01 APPROVED: CWF 6-01-01		SCALE: 2X JOB NO: ADV6623B.DWG REV. NO: ADV-6623	

REV	DATE	REVISION	BY
F	12-16-02	(8-2) BATTERY CHARGER ADDED. [68836]	RAC
G	4-28-03	SEE SHEET 2 OF 3 [69412]	RAC
H	11-11-03	(0-3) 4" NPT EXHAUST BUSHING ADDED. [70918]	RAC
J	12-8-03	SEE SHEET 1 [71067]	SAM
K	4-5-05	SEE SHEET 1 [72346]	SAM
L	9-7-05	(0-6) DUCT VIEW UPDATED [75122]	SAM
M	4-3-06	SEE SHEETS 1 AND 2 [77738]	SAM

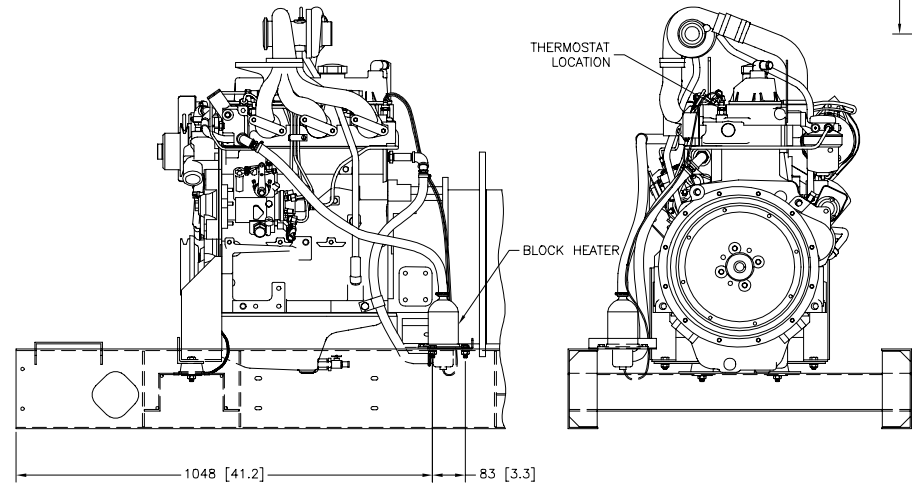


RADIATOR DUCT FLANGE



FLEXIBLE EXHAUST

BATTERY CHARGER



BLOCK HEATER
120 AND 240 VOLT

METRIC CAD FILE

NOTE: DIMENSIONS IN [] ARE ENGLISH EQUIVALENTS.

20 MODEL, 4P4
30 MODEL, 4P5/4Q4
40 MODEL, 4P7, 4P8, 4Q10
RECONNECTABLE
IMPROVED MOTOR STARTING (IMS) RECONNECTABLE
600V & 1 PHASE ALTERNATORS
3029TF JOHN DEERE

UNLESS OTHERWISE SPECIFIED:
1) DIMENSIONS ARE IN MILLIMETERS
2) TOLERANCES ARE:
L X ± SURFACE FINISH
F ± MAX.
H ±
ANGLES ±
THIS AREA PROTECT FROM DEFORMATION

APPROVED: [Signature] DATE: 4-25-01
DRAWN: BTW 4-25-01
CHECKED: CWF 5-31-01
APPROVED: CWF 5-31-01

TITLE: DIMENSION PRINT
SCALE: 1:18X
DWG NO: ADV6623C.DWG
SHEET: 3-3
REV. NO:
PLOTTED DATE: ADV-6623

KOHLER CO.
POWER SYSTEMS, KOHLER, WI 53044 U.S.A.
THIS DRAWING IS DESIGN AND DRAWING PROPERTY OF KOHLER CO. PROPERTY AND
SHOULD NOT BE USED WITHOUT THE WRITTEN PERMISSION OF KOHLER CO. WORK
ALL RIGHTS OF DESIGN OR INVENTION ARE RESERVED.