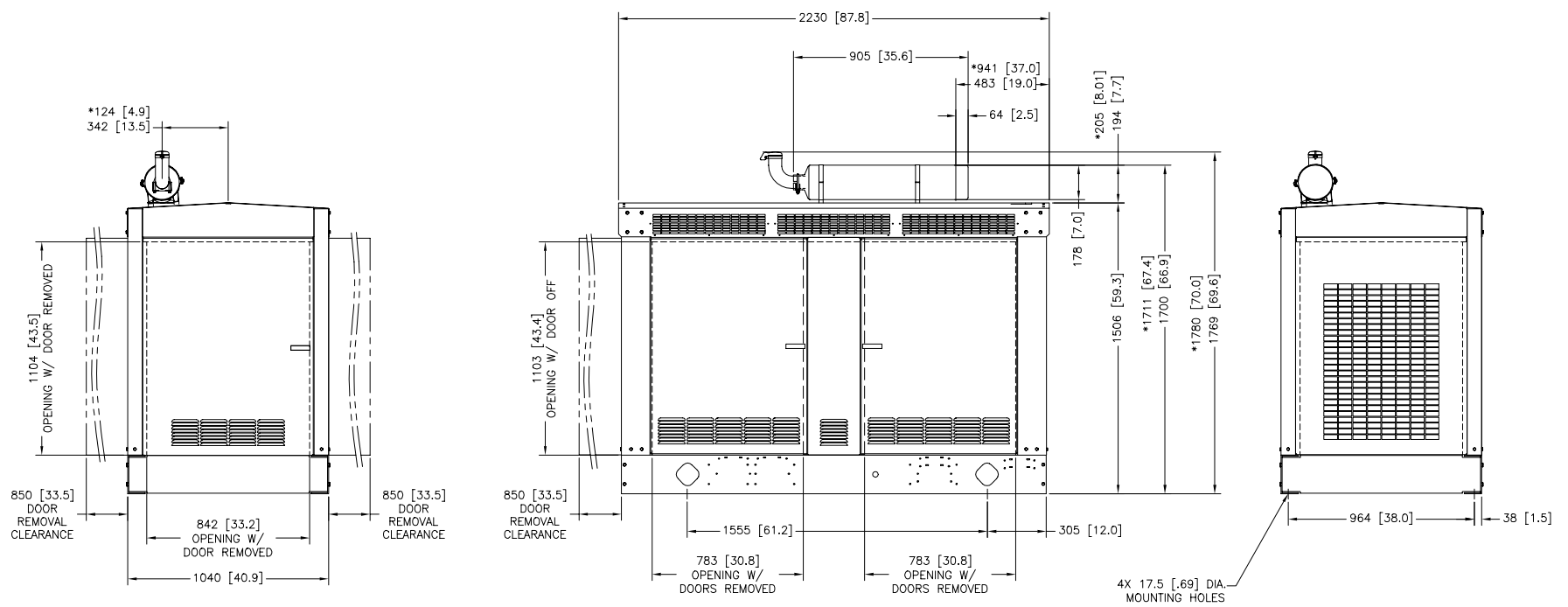


REV	DATE	REVISION	BY
G	2-20-04	SEE SHEET 3 OF 3 [71633]	KDW
H	6-15-04	(B-8) 30B 4P5 & 30B 4P7B ADDED; (A-7,8) STEEL GENSET W/ WEATHER ENCLOSURE & STEEL WEATHER ENCLOSURE ONLY WEIGHTS UPDATED [72516]	DTM
J	10-3-06	(A-8) ALUMINUM WEIGHTS REMOVED, SEE SHEETS 2 & 3 [79242]	SAM
K	11-27-06	(B-8) MODEL 25B ADDED [79942]	SAM



* ASTERISK DENOTES 25 AND 30 MODEL 3.0 LITER ENGINE ONLY

METRIC CAD FILE

DIMENSIONS IN [] ARE INCH EQUIVALENT

MODEL	GENSET WEIGHT (WET) W/WEATHER ENCLOSURE	WEATHER ENCLOSURE ONLY
25B 4P4	STEEL 736 Kg [1620 LBS]	227 Kg [500 LBS]
30B 4P5	STEEL 759 Kg [1670 LBS]	227 Kg [500 LBS]
30B 4P7B	STEEL 800 Kg [1760 LBS]	227 Kg [500 LBS]
30 4P5	STEEL 788 Kg [1734 LBS]	227 Kg [500 LBS]
35 4P5B, 4Q5	STEEL 798 Kg [1756 LBS]	227 Kg [500 LBS]
45 4P7B	STEEL 828 Kg [1822 LBS]	227 Kg [500 LBS]
45 4P8, 4Q10	STEEL 848 Kg [1866 LBS]	227 Kg [500 LBS]
50 4P8, 4Q10	STEEL 939 Kg [2065 LBS]	227 Kg [500 LBS]
60 4P10	STEEL 989 Kg [2175 LBS]	227 Kg [500 LBS]
60 4S7, 4V7	STEEL 1039 Kg [2285 LBS]	227 Kg [500 LBS]

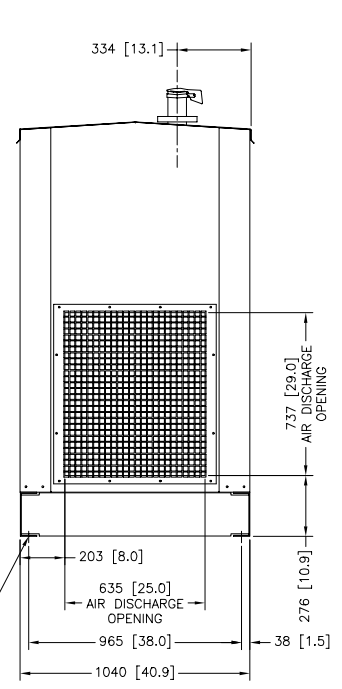
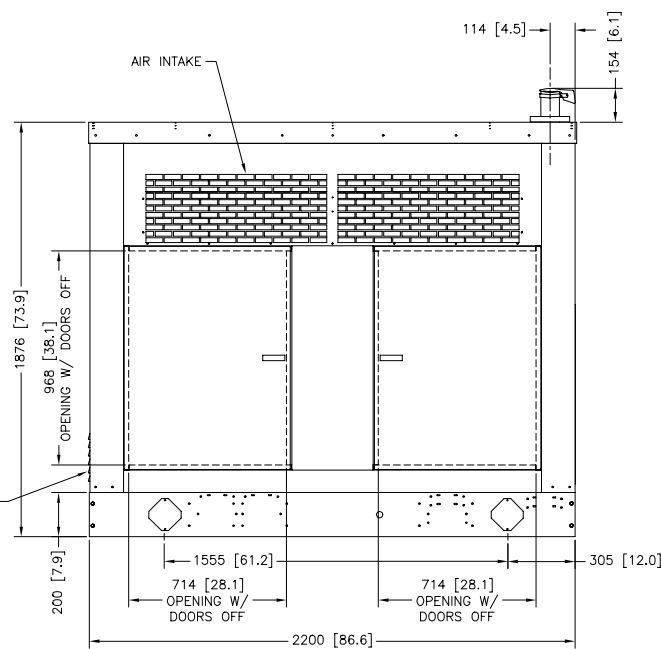
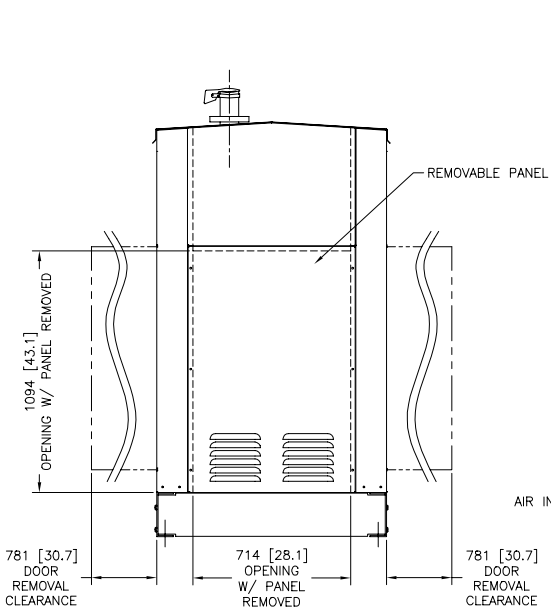
WEATHER ENCLOSURE W/ ROOF MTG. SILENCER
25-60 MODEL
RECONNECTABLE & 600V ALTERNATOR

UNLESS OTHERWISE SPECIFIED: 1) DIMENSIONS ARE IN MILLIMETERS 2) TOLERANCES ARE: L & T ± .5 R ± .5 ANGLES ± .5		SURFACE FINISH ✓ MAX.	
THIS AREA PROTECTED BY TRADE DRESSING		DATE	
APPROVED	DATE	TITLE	
DRAWN JUC	5-15-01	DIMENSION PRINT	
CHECKED JS	5-21-01	25-60 ENCLOSURE	
APPROVED RDL	5-25-01	SCALE 0.1X	SHEET 1-3
DRAWN BY		DATE	REV. NO.
JUC		5-15-01	1
RDL		5-25-01	2

POWER SYSTEMS, KOHLER, WI 53044 U.S.A.
THIS DRAWING IS DESIGN AND TRADE PROPERTY OF KOHLER CO. NO PART MAY BE USED WITHOUT THE WRITTEN PERMISSION OF KOHLER CO. ALL RIGHTS OF DESIGN OR INVENTION ARE RESERVED.

ADV-6656

REV	DATE	REVISION	BY
G	2-20-04	SEE SHEET 3 OF 3 [71653]	KDW
H	6-16-04	(A-B-8) 30B 4P5 & 30B 4P7B ADDED; (A-7-B) STEEL GENSET W/ENCLOSURE & STEEL WEATHER ENCLOSURE ONLY WEIGHTS UPDATED [72516]	
J	10-3-06	SEE SHEET 1 [79242]	BTM
K	11-27-06	(B-8) MODEL 25B ADDED [79942]	SAM



MODEL	GENSET WEIGHT (WET) W/WEATHER ENCLOSURE	WEATHER ENCLOSURE ONLY
25B 4P4	ALUMINUM 657 Kg [1445 LBS]	147 Kg [325 LBS]
	STEEL 793 Kg [1745 LBS]	284 Kg [625 LBS]
30B 4P5	ALUMINUM 680 Kg [1495 LBS]	147 Kg [325 LBS]
	STEEL 816 Kg [1795 LBS]	284 Kg [625 LBS]
30B 4P7B	ALUMINUM 720 Kg [1585 LBS]	147 Kg [325 LBS]
	STEEL 857 Kg [1885 LBS]	284 Kg [625 LBS]
30 4P5	ALUMINUM 703 Kg [1550 LBS]	147 Kg [325 LBS]
	STEEL 841 Kg [1850 LBS]	284 Kg [625 LBS]
35 4P5B, 4Q5	ALUMINUM 714 Kg [1571 LBS]	147 Kg [325 LBS]
	STEEL 850 Kg [1871 LBS]	284 Kg [625 LBS]
45 4P7B	ALUMINUM 749 Kg [1651 LBS]	147 Kg [325 LBS]
	STEEL 887 Kg [1951 LBS]	284 Kg [625 LBS]
45 4P8, 4Q10	ALUMINUM 765 Kg [1686 LBS]	147 Kg [325 LBS]
	STEEL 903 Kg [1986 LBS]	284 Kg [625 LBS]
50 4P8, 4Q10	ALUMINUM 860 Kg [1895 LBS]	147 Kg [325 LBS]
	STEEL 998 Kg [2195 LBS]	284 Kg [625 LBS]
60 4P10	ALUMINUM 903Kg [1990 LBS]	147 Kg [325 LBS]
	STEEL 1041 Kg [2290 LBS]	284 Kg [625 LBS]
60 4S7, 4V7	ALUMINUM 961 Kg [2118 LBS]	147 Kg [325 LBS]
	STEEL 1099 Kg [2418 LBS]	284 Kg [625 LBS]

METRIC CAD FILE

DIMENSIONS IN [] ARE INCH EQUIVALENT

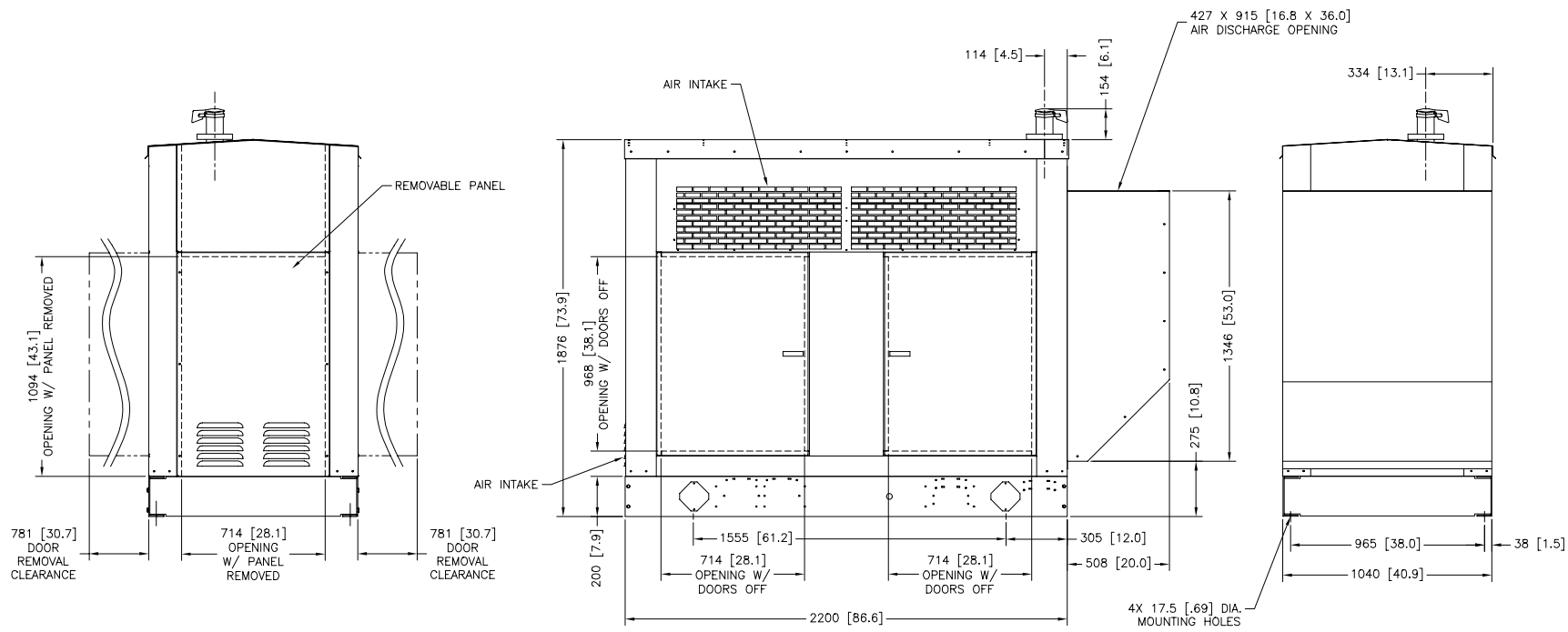
WEATHER ENCLOSURE W/ ENCLOSED CRITICAL SILENCER
25-60 MODEL
RECONNECTABLE & 600V ALTERNATORS

UNLESS OTHERWISE SPECIFIED: 1) DIMENSIONS ARE IN MILLIMETERS 2) TOLERANCES ARE: L X T ± SURFACE FINISH H ± MAX. ANGLES ±		KOHLER CO. POWER SYSTEMS, KOHLER, WI 53044 U.S.A. THIS DRAWING IS DESIGN AND TRADE INTELLECTUAL PROPERTY AND SHOULD NOT BE USED WITHOUT THE WRITTEN PERMISSION OF KOHLER CO. WORK ALL RIGHTS OF DESIGN OR INVENTION ARE RESERVED.	
APPROVED: [Signature]		DATE: 5-25-01	
DRAWN: JUC		SCALE: 0.1X	
CHECKED: JIS		DWG NO: ADV6656B.DWG	
APPROVED: RDL		SHEET 2-3	
		PLOT DATE: 5-25-01	

DIMENSION PRINT
25-60 ENCLOSURE

ADV-6656

REV	DATE	REVISION	BY
G	2-20-04	(A-8) 30B 4P5 & 30B 4P7B ADDED TO CHART [71653]	KDW
H	6-16-04	(A-7.8) STEEL GENSET W/ENCLOSURE & STEEL SOUND ENCLOSURE	
		ONLY WEIGHTS UPDATED [72518]	BTM
J	10-3-06	SEE SHEET 1 [79242]	SAM
K	11-27-06	(B-8) MODEL 25B ADDED [79942]	SAM



MODEL	GENSET WEIGHT (WET) W/SOUND ENCLOSURE	SOUND ENCLOSURE ONLY
25B 4P4	ALUMINUM 702 Kg [1545 LBS]	193 Kg [425 LBS]
	STEEL 852 Kg [1875 LBS]	343 Kg [755 LBS]
30B 4P5	ALUMINUM 725 Kg [1595 LBS]	193 Kg [425 LBS]
	STEEL 875 Kg [1925 LBS]	343 Kg [755 LBS]
30B 4P7B	ALUMINUM 766 Kg [1685 LBS]	193 Kg [425 LBS]
	STEEL 916 Kg [2015 LBS]	343 Kg [755 LBS]
30 4P5	ALUMINUM 748 Kg [1650 LBS]	193 Kg [425 LBS]
	STEEL 900 Kg [1980 LBS]	343 Kg [755 LBS]
35 4P5B, 4Q5	ALUMINUM 758 Kg [1671 LBS]	193 Kg [425 LBS]
	STEEL 910 Kg [2001 LBS]	343 Kg [755 LBS]
45 4P7B	ALUMINUM 794 Kg [1751 LBS]	193 Kg [425 LBS]
	STEEL 946 Kg [2081 LBS]	343 Kg [755 LBS]
45 4P8, 4Q10	ALUMINUM 810 Kg [1786 LBS]	193 Kg [425 LBS]
	STEEL 962 Kg [2116 LBS]	343 Kg [755 LBS]
50 4P8, 4Q10	ALUMINUM 905 Kg [1995 LBS]	193 Kg [425 LBS]
	STEEL 1057 Kg [2325 LBS]	343 Kg [755 LBS]
60 4P10	ALUMINUM 948 Kg [2090 LBS]	193 Kg [425 LBS]
	STEEL 1100 Kg [2420 LBS]	343 Kg [755 LBS]
60 4S7, 4V7	ALUMINUM 1006 Kg [2218 LBS]	193 Kg [425 LBS]
	STEEL 1158 Kg [2548 LBS]	343 Kg [755 LBS]

METRIC CAD FILE

DIMENSIONS IN [] ARE INCH EQUIVALENT

SOUND ENCLOSURE W/ ENCLOSED CRITICAL SILENCER
25-60 MODELS
RECONNECTABLE & 600V ALTERNATORS

UNLESS OTHERWISE SPECIFIED: 1) DIMENSIONS ARE IN MILLIMETERS 2) TOLERANCES ARE: L X S ± SURFACE FINISH M ± MAX. ANGLES & Ø/30°		KOHLER CO. POWER SYSTEMS, KOHLER, WI 53044 U.S.A. THIS DRAWING IS THE PROPERTY OF KOHLER CO. PROPERTY AND SHOULD NOT BE USED WITHOUT THE WRITTEN PERMISSION OF KOHLER CO. WORK ALL RIGHTS OF DESIGN OR INVENTION ARE RESERVED.	
DIMENSION PRINT 25-60 ENCLOSURES		ADV-6656	
APPROVED:	DATE:	DRAWN:	CHECKED:
PRODUCTION:	5-19-01	JUC	JIS
	5-21-01		RDL
	5-25-01		