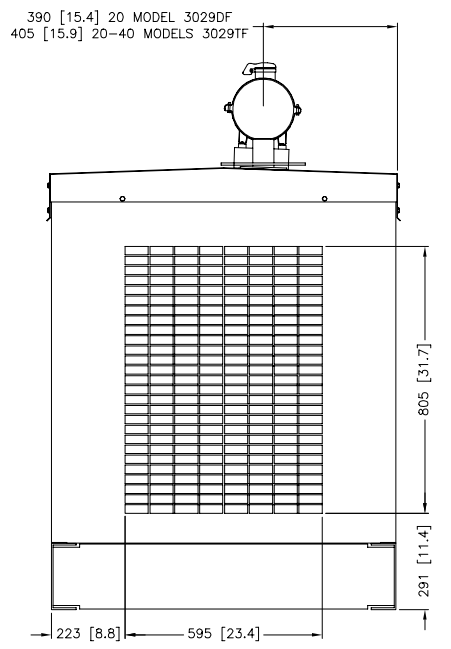
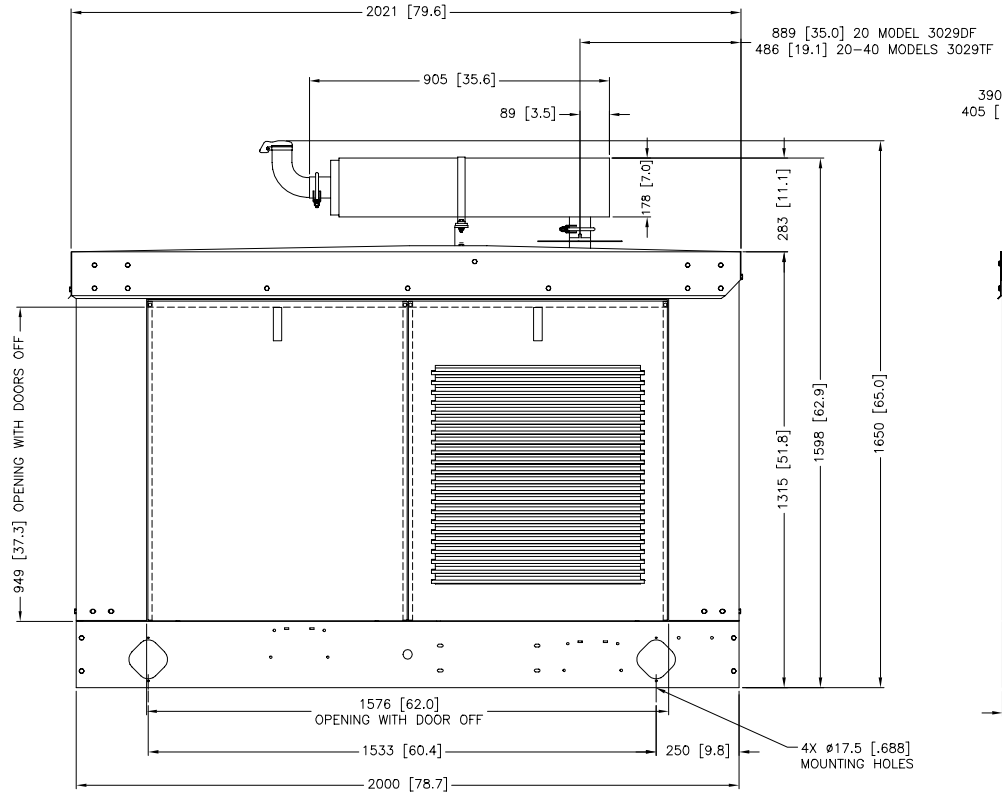
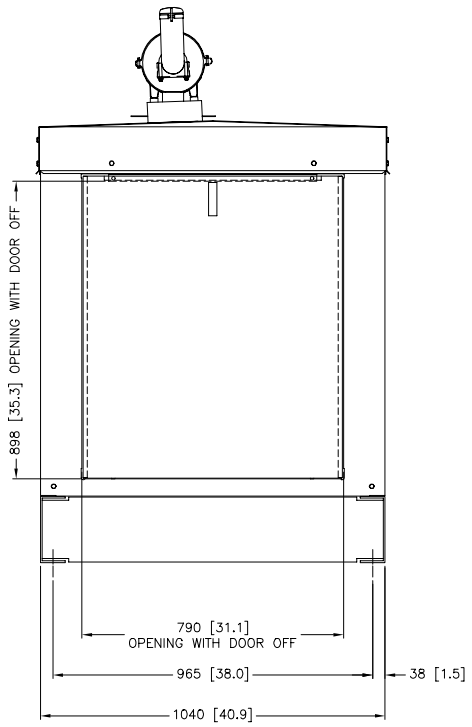


REV	DATE	REVISION	BY
-	6-4-01	NEW DRAWING [64521]	SAM
A	1-4-02	(A-3) MOUNTING HOLE NOTE ADDED [66329]	SAM
B	3-11-02	(A-3) CHART ADDED. [66536]	DFM
C	5-12-06	(A-1) 1-4 WAS 1-3 [78182]	SAM



MODEL	GENSET WEIGHT (WET) W/STEEL WEATHER ENCL.	STEEL WEATHER ENCLOSURE ONLY
20 4P4, 4Q4	857 Kg [1890 LBS]	177 Kg [390 LBS]
30 4Q4	873 Kg [1925 LBS]	177 Kg [390 LBS]
40 4P5	934 Kg [2060 LBS]	177 Kg [390 LBS]
40 4P7, 4P8, 4Q10		

METRIC CAD FILE

DIMENSION IN [ ] ARE INCH EQUIVALENTS

UNLESS OTHERWISE SPECIFIED -  
 1) DIMENSIONS ARE IN MILLIMETERS  
 2) TOLERANCES ARE:  
 FRACTIONS DECIMALS ANGLES  
 1/16 0.031 0.125 0.5  
 1/32 0.016 0.063 0.25  
 1/64 0.008 0.031 0.125

APPROVALS: [Signature] DATE: 6-15-01  
 CHECKED: CWF 8-02-01  
 APPROVED: CWF 8-02-01

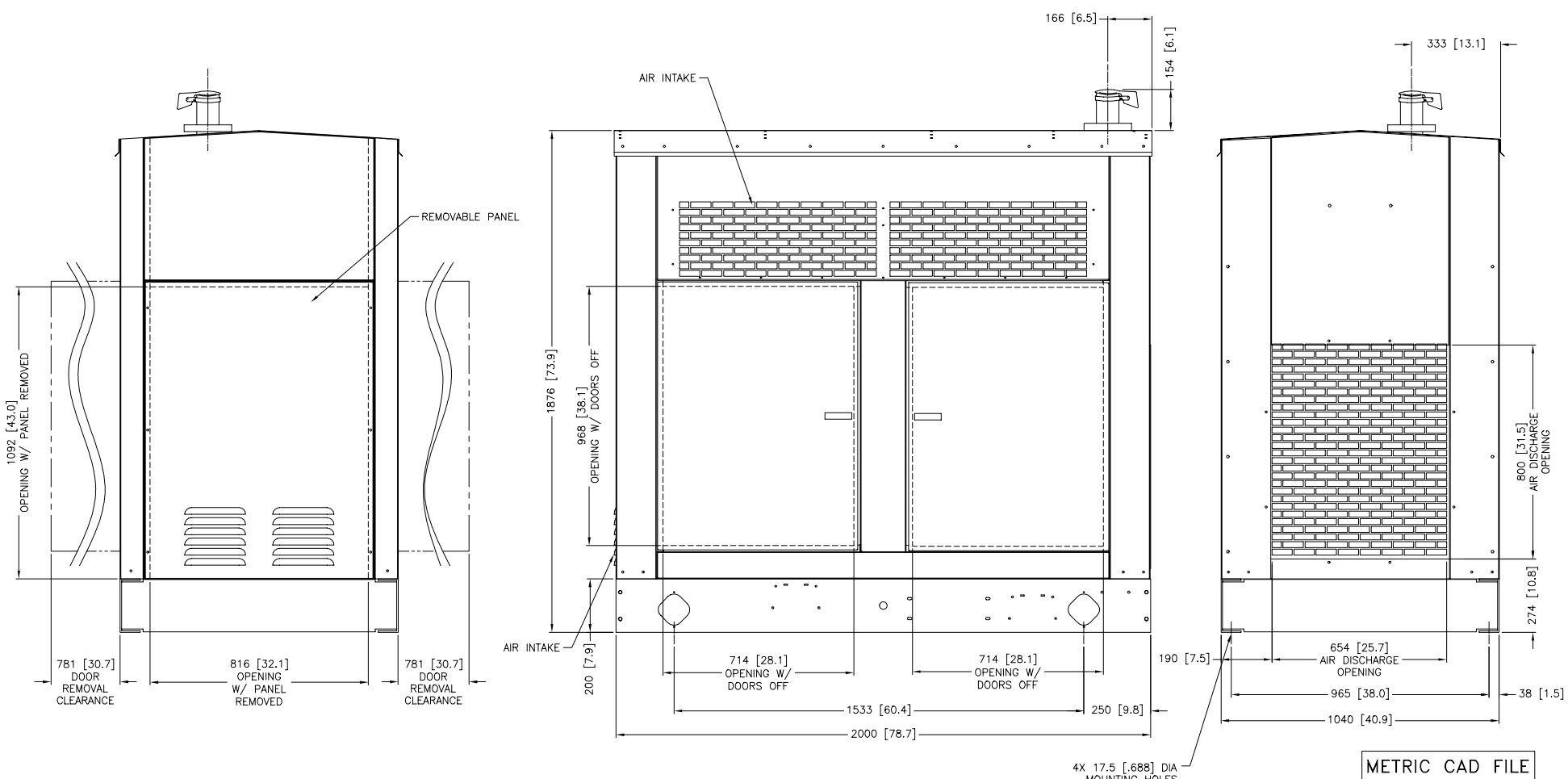
POWER SYSTEMS, KOHLER, WI 53044 U.S.A.  
 THIS DRAWING IS DESIGN AND TRADE INTELLECTUAL PROPERTY AND  
 MUST NOT BE USED EXCEPT IN CONNECTION WITH KOHLER CO. WORK.  
 ALL RIGHTS OF DESIGN OR INVENTION ARE RESERVED.

**KOHLER CO.**  
**DIMENSION PRINT**

20 MODEL, 4P4, 4Q4  
 30 MODEL, 4P5/4Q4  
 40 MODEL, 4P7, 4P8, 4Q10  
 RECONNECTABLE  
 IMPROVED MOTOR STARTING (IMS) RECONNECTABLE  
 600 VOLT & 1 PHASE ALTERNATORS  
 3029DF/TF JOHN DEERE

SCALE: 0.15X  
 DWG NO: ADV6657A-DWG  
 SHEET: 1-4  
 FILE NO: ADV-6657

REV	DATE	REVISION	BY
-	7-25-01	NEW DRAWING [64521]	SAM
A	1-4-02	(A-7) 816 [32.1] WAS 714 [88.1] (A-5) ALUMINUM ADDED TO DESCRIPTION (A-3) 4X #17.5 [688] WAS 4X #16 [62] [66329]	SAM
B	3-11-02	(A-5) MODEL 20, 319 Kg WAS 683 Kg. & STEEL ENCLOSURE WEIGHTS ADDED [66336]	GFR
C	5-12-06	(A-1) 2-4 WAS 2-3 [78182]	SAM



MODEL	GENSET WEIGHT (WET) W/WEATHER ENCLOSURE	WEATHER ENCLOSURE ONLY
20 4P4, 4Q4	ALUMINUM 819 Kg [1805 LBS] STEEL 962 Kg [2120 LBS]	138 Kg [305 LBS] 281 Kg [620 LBS]
30 4P5	ALUMINUM 835 Kg [1840 LBS] STEEL 977 Kg [2155 LBS]	138 Kg [305 LBS] 281 Kg [620 LBS]
40 4P7, 4P8, 4Q10	ALUMINUM 896 Kg [1975 LBS] STEEL 1039 Kg [2290 LBS]	138 Kg [305 LBS] 281 Kg [620 LBS]

WEATHER ENCLOSURE W/ENCLOSED CRITICAL SILENCER  
 20 MODEL, 4P4, 4Q4  
 30 MODEL, 4P5/4Q4  
 40 MODEL, 4P7, 4P8, 4Q10  
 RECONNECTABLE  
 IMPROVED MOTOR STARTING (IMS) RECONNECTABLE  
 600 VOLT & 1 PHASE ALTERNATORS  
 3029DF/TF JOHN DEERE

METRIC CAD FILE

DIMENSION IN [ ] ARE INCH EQUIVALENTS

UNLESS OTHERWISE SPECIFIED -  
 (1) DIMENSIONS ARE IN MILLIMETERS  
 (2) TOLERANCES ARE:  
 F.F. ± .15  
 H & S ± .10  
 Holes ± .05  
 ANGLES ± .5°

POWER SYSTEMS, KOHLER, WI 53044 U.S.A.  
 THIS DRAWING IS PROPERTY OF KOHLER CO. PROPERTY AND  
 MUST NOT BE USED EXCEPT IN CONNECTION WITH KOHLER CO. WORK.  
 ALL RIGHTS OF DESIGN OR INVENTION ARE RESERVED.

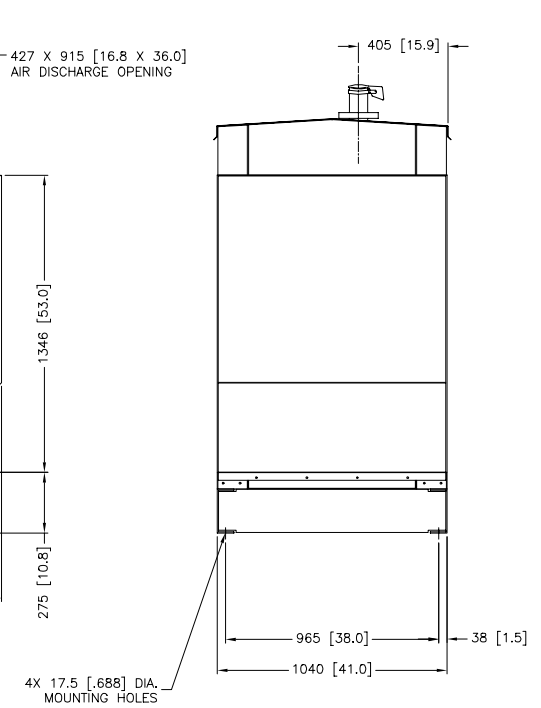
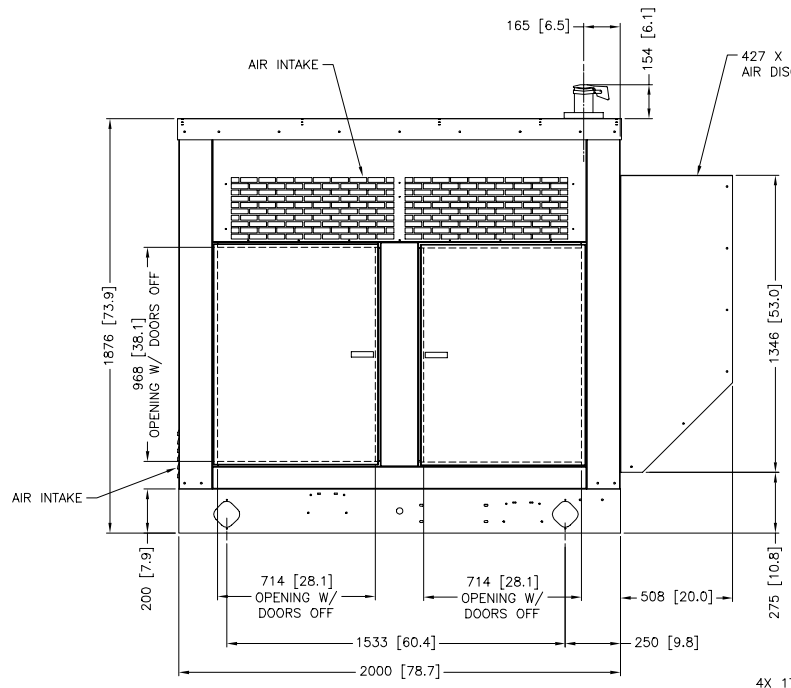
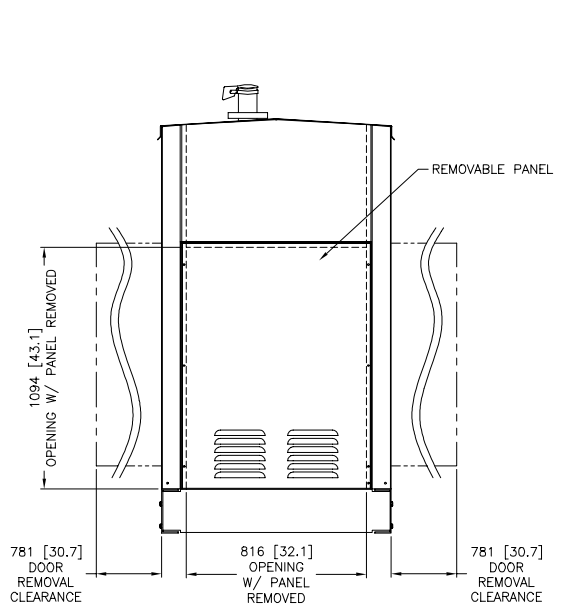
**KOHLER CO.**

**DIMENSION PRINT**

DATE	APPROVALS	FILE
7-25-01	SAM	7-25-01
8-02-01	CWF	8-02-01
8-02-01	CWF	8-02-01

SCALE: 0.15X  
 DWG NO: ADV6857B.DWG  
 SHEET: 2-4  
 PART NO: ADV-6657

REV	DATE	REVISION	BY
-	7-25-01	NEW DRAWING [64521]	SAM
A	1-4-02	(A-7) 816 [32.1] WAS 714 [28.1] (A-5) ALUMINUM ADDED TO DESCRIPTION (A-2) 4X 17.5 [688] WAS 4X #16 [62] (C-1) KOS [15.9] WAS 334 [13.1] [6339]	SAM
B	3-11-02	(A-5) MODEL 20; 855 Kg WAS 719 Kg. & STEEL ENCLOSURE WEIGHTS ADDED [66536]	GFR
C	5-12-06	(A-1) 3-4 WAS 3-3 [78182]	SAM



MODEL	GENSET WEIGHT (WET) W/SOUND ENCLOSURE	SOUND ENCLOSURE ONLY
20 4P4, 4Q4	ALUMINUM 855 Kg [1885 LBS]	175 Kg [385 LBS]
30 4Q4	STEEL 1016 Kg [2240 LBS]	336 Kg [740 LBS]
30 4P5	ALUMINUM 871 Kg [1920 LBS]	175 Kg [385 LBS]
	STEEL 1032 Kg [2275 LBS]	336 Kg [740 LBS]
40 4P7, 4P8, 4Q10	ALUMINUM 932 Kg [2055 LBS]	175 Kg [385 LBS]
	STEEL 1093 Kg [2410 LBS]	336 Kg [740 LBS]

SOUND ENCLOSURE W/ENCLOSED CRITICAL SILENCER  
 20 MODEL, 4P4, 4Q4  
 30 MODEL, 4P5/4Q4  
 40 MODEL, 4P7, 4P8, 4Q10  
 RECONNECTABLE  
 IMPROVED MOTOR STARTING (IMS) RECONNECTABLE  
 600 VOLT & 1 PHASE ALTERNATORS  
 3029DF/TF JOHN DEERE

METRIC CAD FILE

DIMENSION IN [ ] ARE INCH EQUIVALENTS

UNLESS OTHERWISE SPECIFIED -  
 (1) DIMENSIONS ARE IN MILLIMETERS  
 (2) TOLERANCES ARE:  
 FRACTIONS DECIMALS  
 1/16 ± .005 0.1X  
 1/8 ± .005 0.15X  
 1/4 ± .005 0.2X  
 3/8 ± .005 0.25X  
 1/2 ± .005 0.3X  
 3/4 ± .005 0.35X  
 1 ± .005 0.4X  
 1.5 ± .005 0.45X  
 2 ± .005 0.5X  
 3 ± .005 0.6X  
 4 ± .005 0.7X  
 5 ± .005 0.75X  
 6 ± .005 0.8X  
 8 ± .005 1.0X  
 10 ± .005 1.2X  
 15 ± .005 1.5X  
 20 ± .005 2.0X  
 30 ± .005 3.0X  
 40 ± .005 4.0X  
 50 ± .005 5.0X  
 60 ± .005 6.0X  
 80 ± .005 8.0X  
 100 ± .005 10.0X

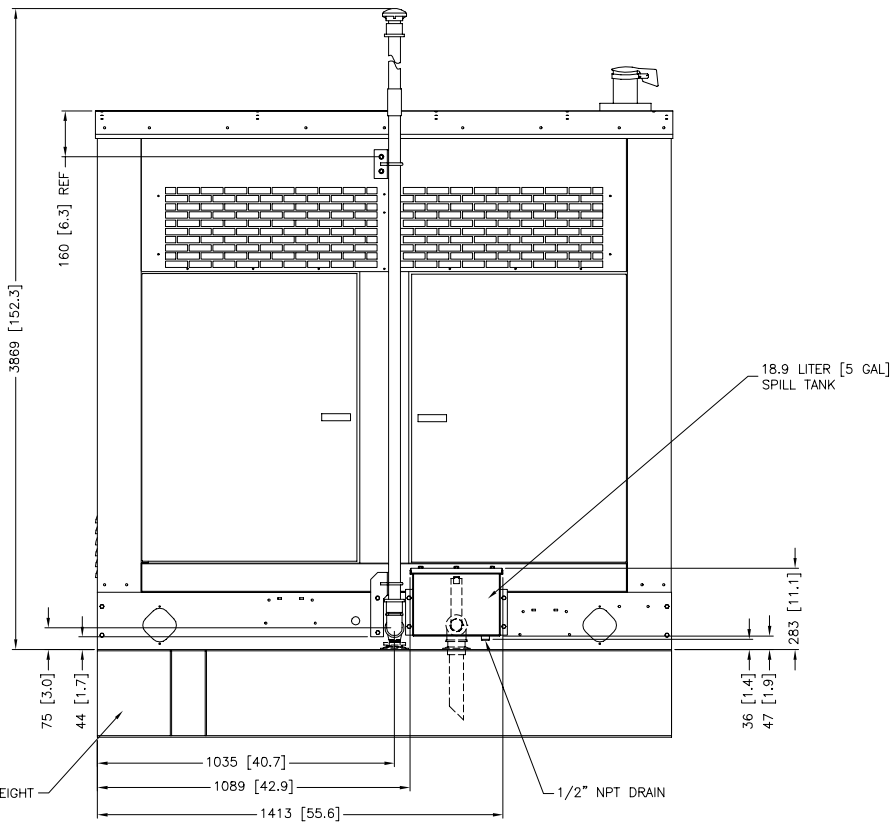
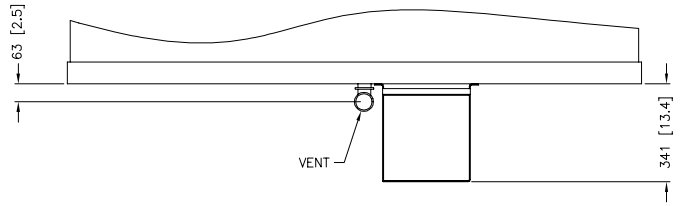
**KOHLER CO.**  
 POWER SYSTEMS, KOHLER, WI 53044 U.S.A.  
 THIS DRAWING IS DESIGN AND TRADE SE PROPERTY AND  
 MUST NOT BE USED WITHOUT THE CONSENT OF KOHLER CO. WORK  
 ALL RIGHTS OF DESIGN OR INVENTION ARE RESERVED.

**DIMENSION PRINT**

DESIGN	CWF	DATE	7-25-01
CHECKED	CWF	DATE	8-02-01
APPROVED	CWF	DATE	8-02-01

SCALE: 0.1X  
 DWG NO: ADV6857C.DWG  
 SHEET: 3-4  
 FILE NO: ADV-6657

REV	DATE	REVISION	BY
C	5-15-06	SHEET 4 ADDED [78182]	SAM



SEE TANK ADV FOR TANK HEIGHT

METRIC CAD FILE

DIMENSION IN [ ] ARE INCH EQUIVALENTS

20 MODEL, 4P4, 4Q4  
 30 MODEL, 4P5/4Q4  
 40 MODEL, 4P7, 4P8, 4Q10  
 RECONNECTABLE  
 IMPROVED MOTOR STARTING (IMS) RECONNECTABLE  
 600 VOLT & 1 PHASE ALTERNATORS  
 3029DF/TF JOHN DEERE

UNLESS OTHERWISE SPECIFIED - 1) DIMENSIONS ARE IN MILLIMETERS 2) TOLERANCES ARE: F.S.F. ± H ± ANGLES ±		SURFACE FINISH H.A.S. ✓ H.A.S. MAX.	
APPROVALS		DATE	
DESIGN	SAM	5-15-06	
CHECKED	JMS	5-18-06	
APPROVED	SLJ	5-22-06	
TITLE		DIMENSION PRINT	
DRAWN		SCALE	1:3XP
JOB NO.		ADV6857D.DWG	SHEET 4-4
PANEL NO.		ADV-6657	D