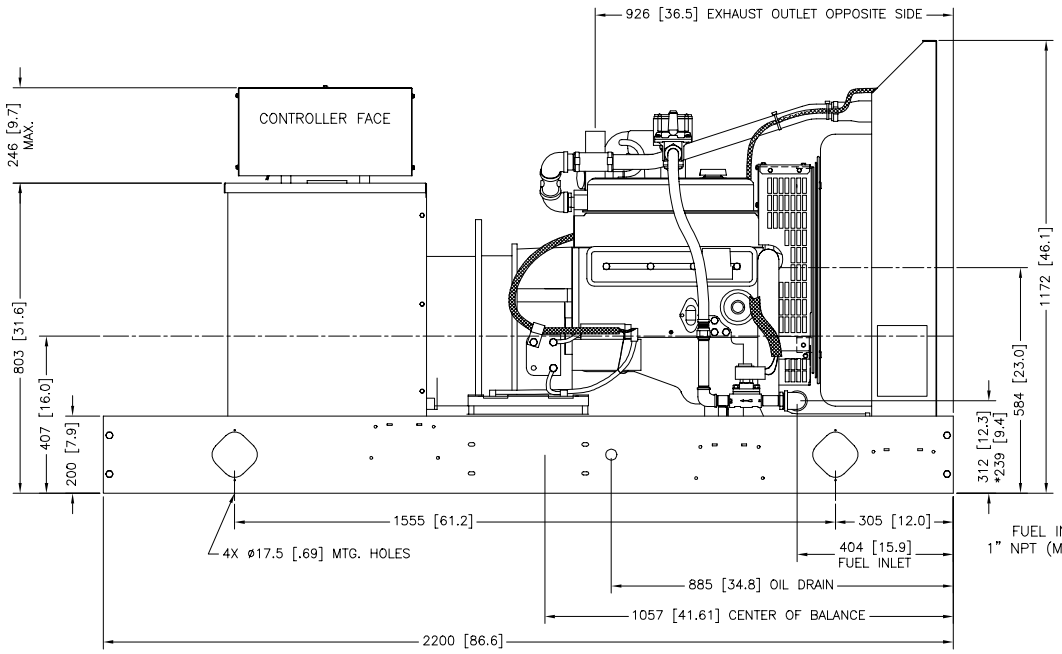
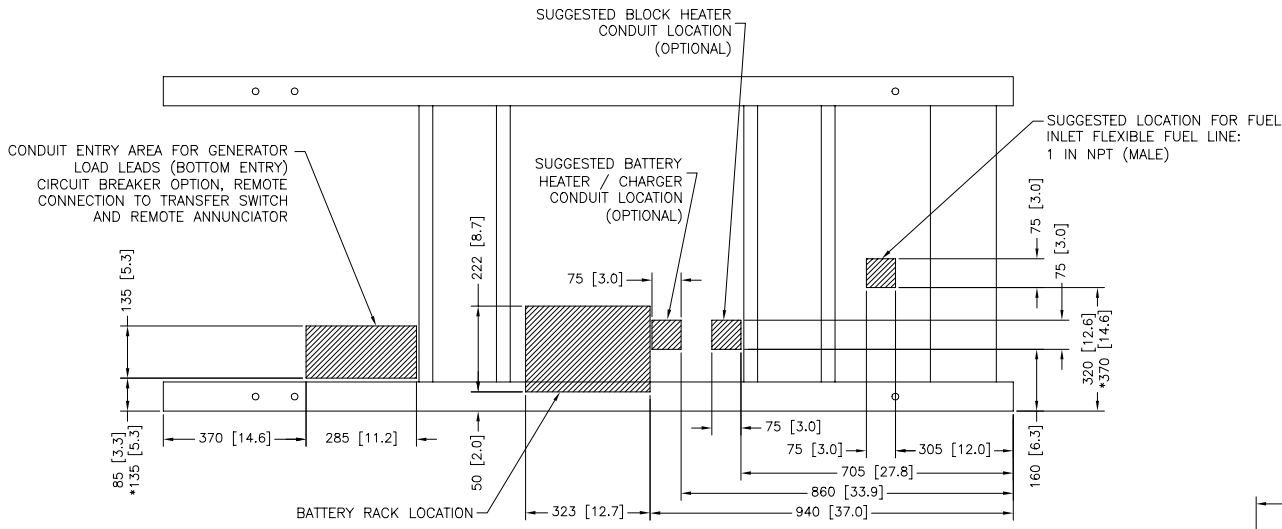


REV	DATE	REVISION	BY
C	8-7-03	(8-1, D-3) ALL REF. TO SUBBASE TANKS REMOVED. [70092]	MRR
D	10-15-03	(8-2-6) COOLANT SYSTEM VIEWS UPDATED. [70412]	RAC
E	2-20-04	(4-5) CENTER OF BALANCE DIM. ADDED; (8-1) WEIGHTS ADDED [71653]	KOW
F	5-23-05	SEE SHEET 3 [75122]	SAM
G	11-27-06	(8-1) MODEL 25 4P4 ADDED [79942]	SAM



MODEL	WEIGHT (WET)
25 4P4	509 KG (1120 LB)
30 4P5	532 KG (1170 LB)
30 4P7B	573 KG (1260 LB)

NOTE:
DIMENSIONS IN [] ARE INCH EQUIVALENT.
* -ASTERISK DENOTES 1040 [40.9] SKID WIDTH.

METRIC CAD FILE

25 MODEL 4P4, 30 MODEL 4P5, 4P7B RECONNECTABLE IMPROVED MOTOR STARTING (IMS) RECONNECTABLE & 600V ALTERNATORS 3.0 LITER GM

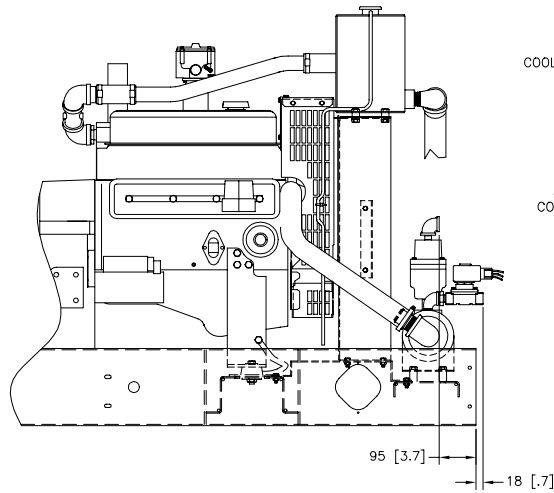
UNLESS OTHERWISE SPECIFIED: 1) DIMENSIONS ARE IN MILLIMETERS 2) TOLERANCES ARE: MM ± 0.25 X ± 1.0 Y ± 1.5 ANGLES ± 0.30°		SURFACE FINISH ✓ MAX.	
DATE	DATE	TITLE	
APPROVED	DATE	DRAWING NO.	
DRAWN	DATE	SCALE	SHEET
CHECKED	DATE	REV. NO.	
APPROVED	DATE	REVISED DATE	

KOHLER CO.
POWER SYSTEMS, KOHLER, WI 53044 U.S.A.
THIS DRAWING IS DESIGN AND TRADE INTELLECTUAL PROPERTY AND MUST NOT BE USED WITHOUT THE WRITTEN PERMISSION OF KOHLER CO. WORK ALL RIGHTS OF DESIGN OR INVENTION ARE RESERVED.

DIMENSION PRINT

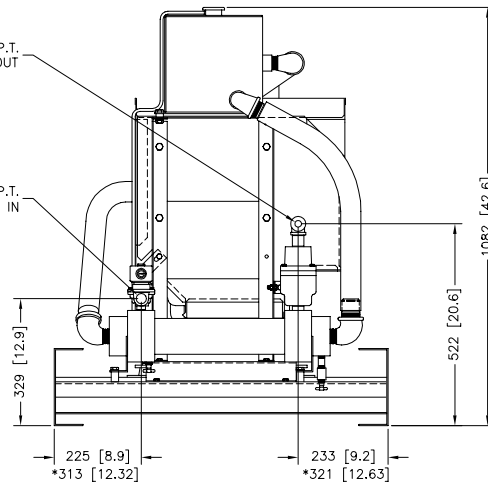
ADV-6695

REV	DATE	REVISION	BY
A	1-2-02	SEE SHEET 1 OF 3 [66206]	DFS
B	12-17-02	SEE SHEET 1 & 3 OF 3. [66636]	RAC
C	8-7-03	SEE SHEET 1 OF 3 [70992]	MMR
D	10-15-03	(8-0) 988 WAS 978 & COOLANT SYSTEM VIEWS UPDATED [70413]	RAC
E	2-20-04	SEE SHEET 1 OF 3 [71653]	KDW
F	5-23-05	SEE SHEET 3 [75122]	SAM
G	11-27-06	SEE SHEET 1 [79942]	SAM



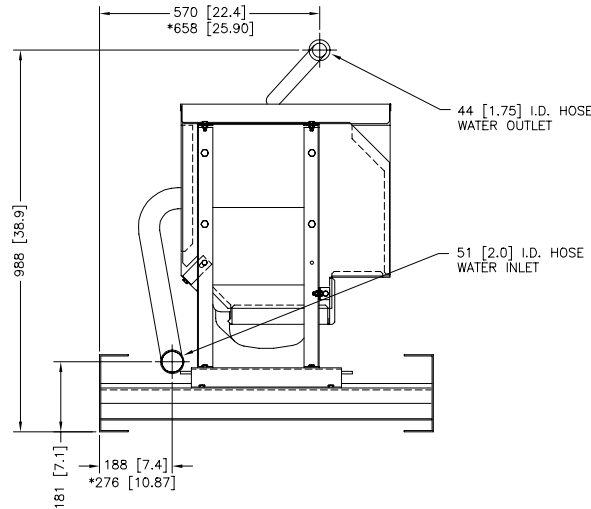
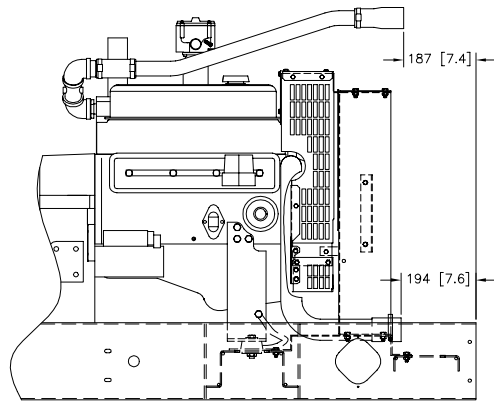
1 FEM. N.P.T.
COOLING WATER OUT

3/4 FEM. N.P.T.
COOLING WATER IN



CITY WATER COOLED

*ASTERISK DENOTES 1040 [40.9] SKID WIDTH

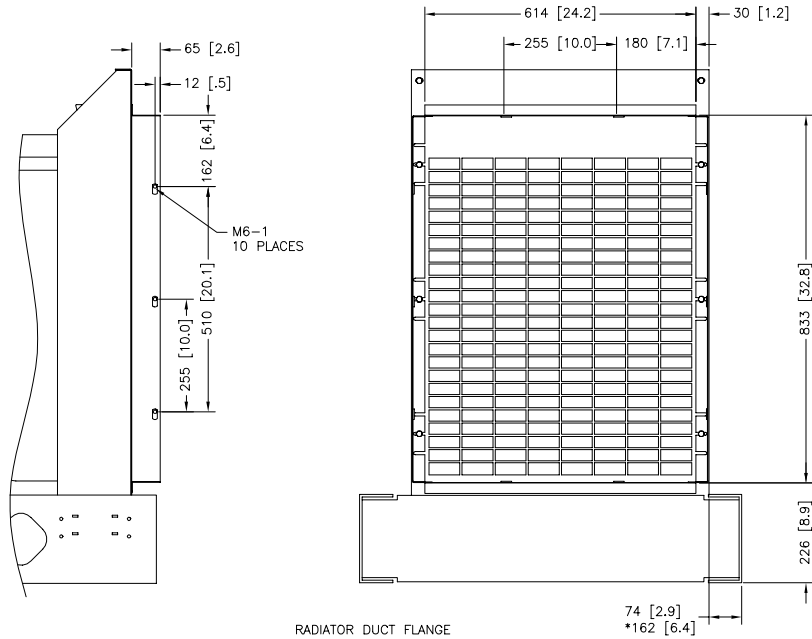


REMOTE RADIATOR

METRIC CAD FILE

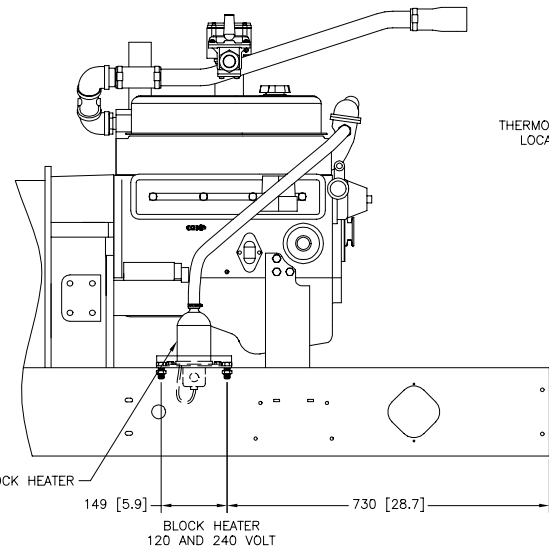
25 MODEL 4P4, 30 MODEL 4P5, AP7B RECONNECTABLE
IMPROVED MOTOR STARTING (IMS) RECONNECTABLE
& 600V ALTERNATORS
3.0 LITER GM

UNLESS OTHERWISE SPECIFIED: 1) DIMENSIONS ARE IN MILLIMETERS 2) TOLERANCES ARE: K/M ± 0.25 SURFACE FINISH K ± 1.0 ✓ MAX. M ± 1.5 ANGLES ± 0.50°		KOHLER CO. POWER SYSTEMS, KOHLER, WI 53044 U.S.A. THIS DRAWING IS DESIGN AND TRADE PROPERTY OF KOHLER CO. IT SHALL NOT BE USED WITHOUT THE WRITTEN CONSENT OF KOHLER CO. WORK SHALL BE SUBJECT TO INSPECTION AND RECEIPT.	
TITLE: DIMENSION PRINT APPROVED: [Signature] DATE: 10-23-01 DRAWN: ETW CHECKED: KDW 11-12-01 APPROVED: KDW 11-12-01		SCALE: 1:75X DWG NO: ADV6695B.DWG SHEET: 2-3 REV. NO: ADV-6695	PLOTTED DATE:



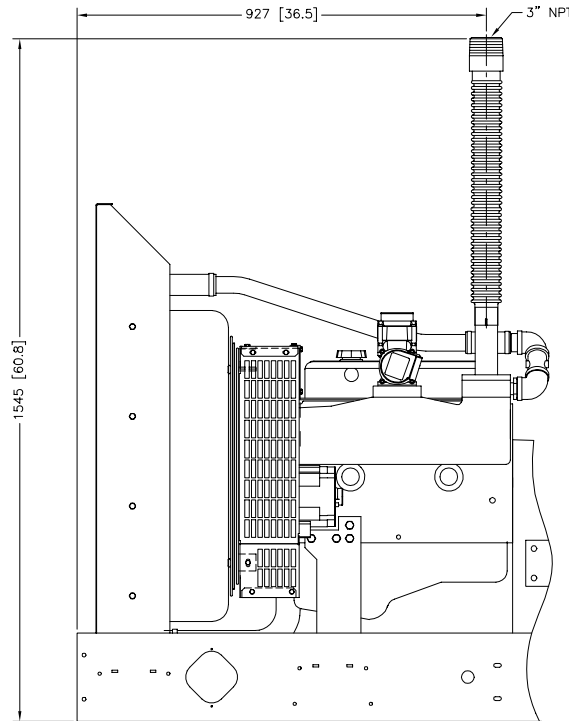
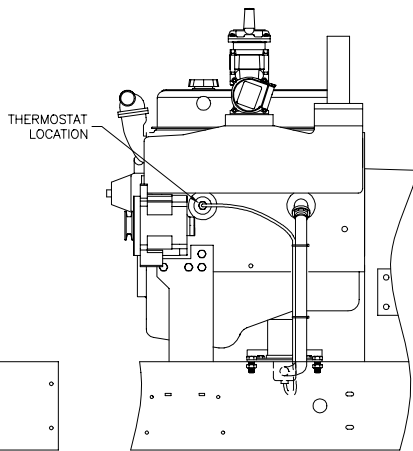
RADIATOR DUCT FLANGE

74 [2.9]
*162 [6.4]



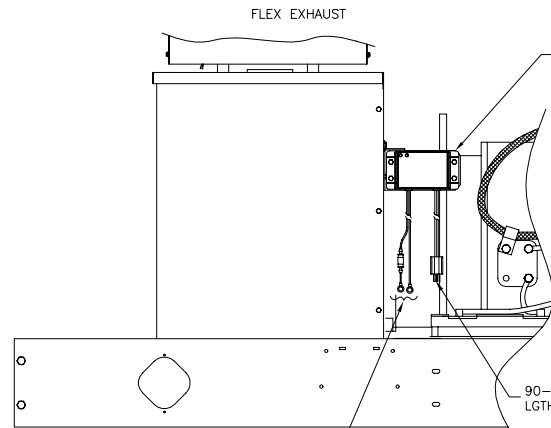
BLOCK HEATER

BLOCK HEATER
120 AND 240 VOLT



FLEX EXHAUST

BATTERY CHARGER



CONNECT TO
BATTERY

BATTERY CHARGER

25 MODEL 4P4, 30 MODEL, 4P5, AP7B RECONNECTABLE
IMPROVED MOTOR STARTING (IMS) RECONNECTABLE
& 600V ALTERNATOR
3.0 LITER GM

REV	DATE	REVISION	BY
A	1-2-02	SEE SHEET 1 OF 3 [66208]	DFS
B	12-17-02	(A-3) BATTERY CHARGER ADDED. [68636]	RAC
C	8-7-03	SEE SHEET 1 OF 3 [70792]	MMR
D	10-15-03	(C-2,3,6-7,8) COOLANT SYSTEM VIEWS UPDATED. [70412]	RAC
E	2-20-04	SEE SHEET 1 OF 3 [71653]	KDW
F	5-23-05	(D-6) DUCT FLANGE VIEW UPDATED [75122]	SAM
G	11-27-06	SEE SHEET 1 [79942]	SAM

NOTE:
DIMENSIONS IN [] ARE INCH EQUIVALENT.

* -ASTERISK DENOTES 1040 [40.9] SKID
WIDTH.

METRIC CAD FILE

UNLESS OTHERWISE SPECIFIED:	
1) DIMENSIONS ARE IN MILLIMETERS	
2) TOLERANCES ARE:	
KW ± 0.25	SURFACE FINISH
LX ± 1.0	MAX.
M ± 1.0	MAX.
ANGLES ± 0.30°	

APPROVED		DATE	TITLE
[Signature]		9-28-01	DIMENSION PRINT
DRAWN	BTM	9-28-01	
CHECKED	KDW	11-12-01	
APPROVED	KDW	11-12-01	

KOHLER CO.	
POWER SYSTEMS, KOHLER, INC. 53044 U.S.A.	
THIS DRAWING IS DESIGN AND TRADE INTELLECTUAL PROPERTY AND	
MAY NOT BE USED WITHOUT THE WRITTEN PERMISSION OF KOHLER CO. WORK	
ALL RIGHTS OF DESIGN OR INVENTION ARE RESERVED.	
SCALE: 1:175X	
DWG NO.	ADV6695C.DWG
SHEET	3-3
ADV-6695	