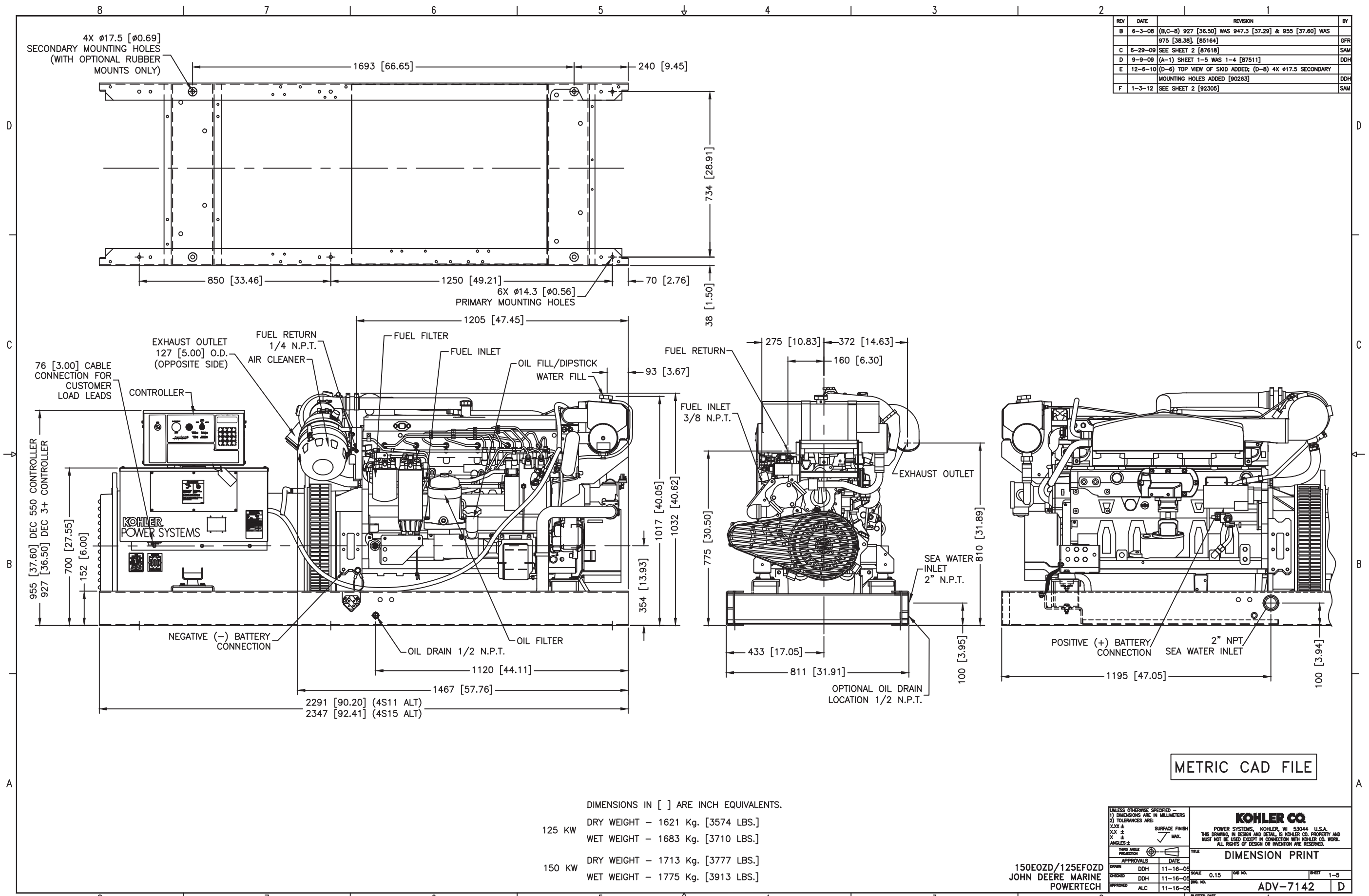


REV	DATE	REVISION	BY
B	6-3-08	(B,C-8) 927 [36.50] WAS 947.3 [37.29] & 955 [37.60] WAS 975 [38.36] [85164]	GFR
C	6-29-09	SEE SHEET 2 [87618]	SAM
D	9-8-09	(A-1) SHEET 1-5 WAS 1-4 [87511]	DDH
E	12-6-10	(D-8) TOP VIEW OF SKID ADDED; (D-8) 4X #17.5 SECONDARY MOUNTING HOLES ADDED [90283]	DDH
F	1-3-12	SEE SHEET 2 [92305]	SAM



METRIC CAD FILE

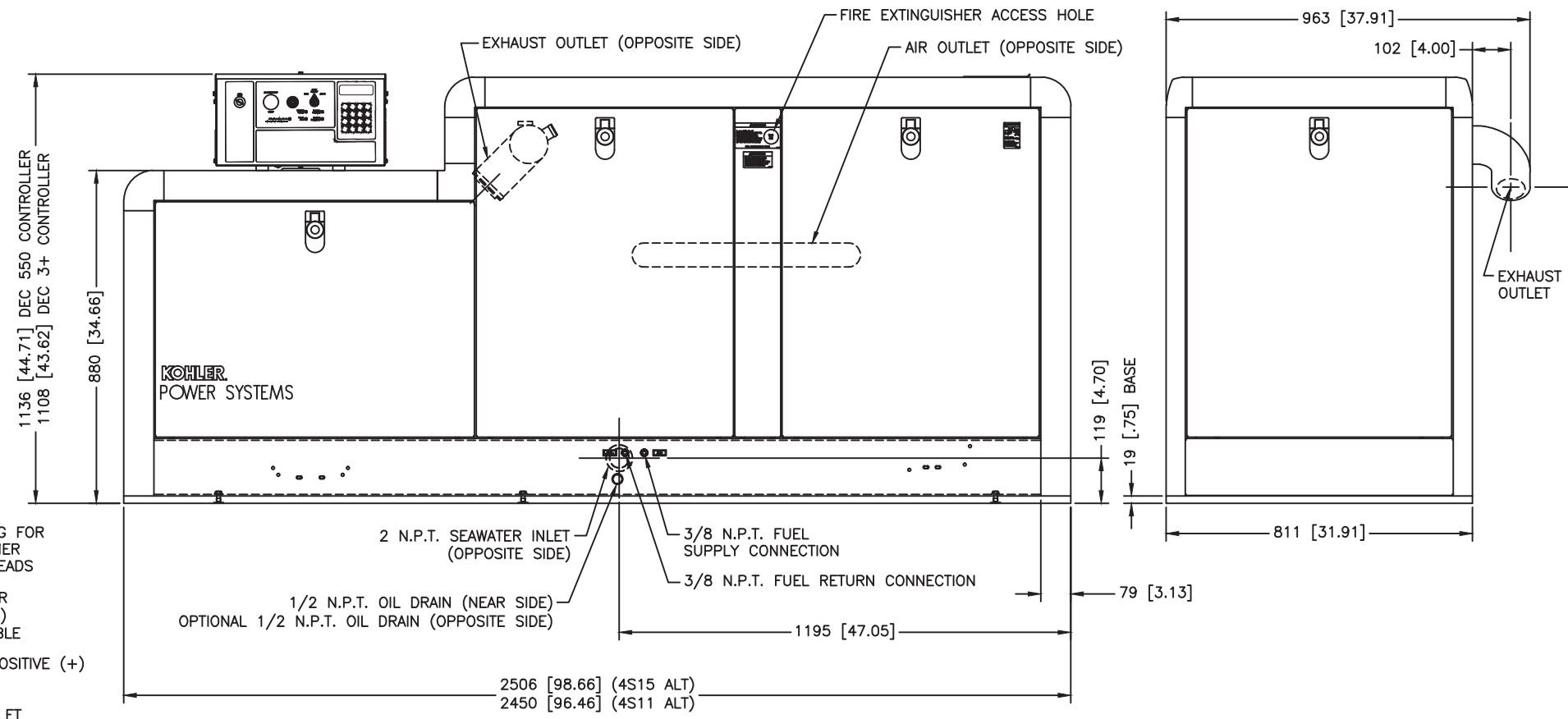
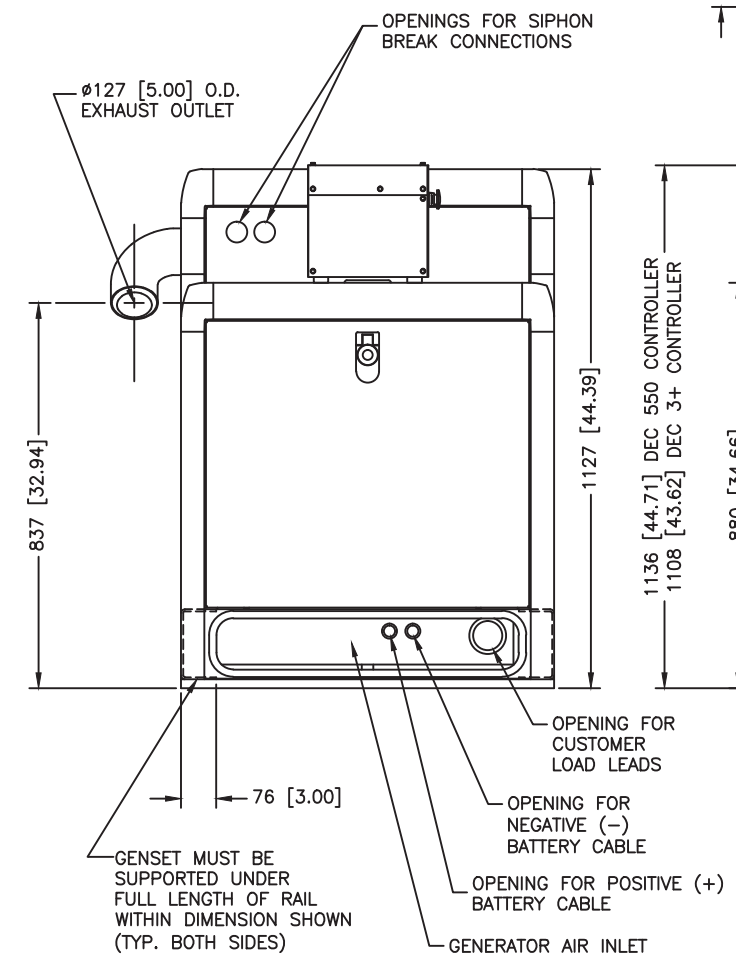
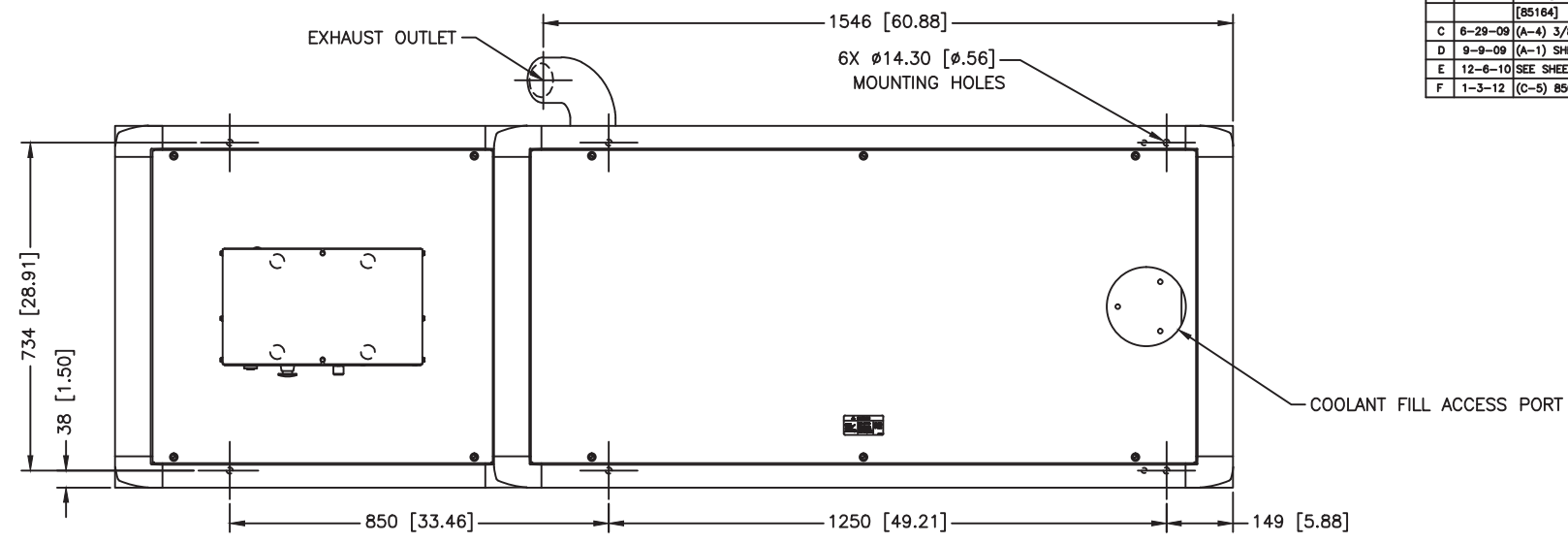
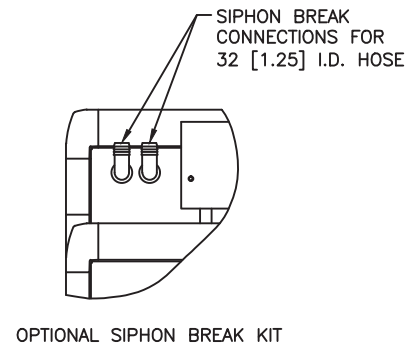
DIMENSIONS IN [] ARE INCH EQUIVALENTS.

- 125 KW DRY WEIGHT - 1621 Kg. [3574 LBS.]
WET WEIGHT - 1683 Kg. [3710 LBS.]
- 150 KW DRY WEIGHT - 1713 Kg. [3777 LBS.]
WET WEIGHT - 1775 Kg. [3913 LBS.]

UNLESS OTHERWISE SPECIFIED - 1) DIMENSIONS ARE IN MILLIMETERS 2) TOLERANCES ARE: XXX ± XX ± X ± ANGLES ±		SURFACE FINISH ✓ MAX.		TITLE KOHLER CO POWER SYSTEMS, KOHLER, WI 53044 U.S.A. THIS DRAWING, IN DESIGN AND DETAIL, IS KOHLER CO. PROPERTY AND MUST NOT BE USED EXCEPT IN CONNECTION WITH KOHLER CO. WORK. ALL RIGHTS OF DESIGN OR INVENTION ARE RESERVED.	
APPROVALS		DATE		SCALE 0.15	
DRAWN DDH	11-16-08	SCALE 0.15	CAD NO.	SHEET 1-5	
CHECKED DDH	11-16-08	DATE	REV. NO.		
APPROVED ALC	11-16-08	PLOTTED DATE			
			ADV-7142		

150EOZD/125EFOZD
JOHN DEERE MARINE
POWERTECH

REV	DATE	REVISION	BY
B	6-3-08	(B-6) 1136 [44.71] WAS 1156 [45.51] & 1108 [43.62] WAS 1101 [43.36] 1128 [44.39] & 1089 [42.86] DEC 1 REMOVED. [85164]	
C	6-29-09	(A-4) 3/8 FUEL CONNECTIONS WERE 1/4 [87616]	SAM
D	9-9-09	(A-1) SHEET 2-5 WAS 2-4 [87511]	DDH
E	12-6-10	SEE SHEET 1 [90263]	DDH
F	1-3-12	(C-5) 850 WAS 906 [92305]	SAM



METRIC CAD FILE

- 125 KW DRY WEIGHT - 1701 kg [3749 LBS.]
- 125 KW WET WEIGHT - 1762 Kg. [3885 LBS.]
- 150 KW DRY WEIGHT - 1793 kg [3952 LBS.]
- 150 KW WET WEIGHT - 1854 Kg. [4088 LBS.]

NOTE: DIMENSIONS IN [] ARE IN INCH EQUIVALENTS.

UNLESS OTHERWISE SPECIFIED -		SURFACE FINISH	
1) DIMENSIONS ARE IN MILLIMETERS		✓ MAX.	
2) TOLERANCES ARE:		X.XX ±	
X.X ±		X ±	
X ±		ANGLES ±	
THIRD ANGLE PREDOMINANT		TITLE	
APPROVALS		DATE	
DESIGN	DDH	11-16-05	SCALE 0.15X
CHECKED	DDH	11-16-05	DWG. NO.
APPROVED	ALC	11-16-05	SHEET 2-5
150E0ZD/125EFOZD JOHN DEERE POWERTECH		ADV-7142	

KOHLER CO.

POWER SYSTEMS, KOHLER, WI 53044 U.S.A.
THIS DRAWING, IN DESIGN AND DETAIL, IS KOHLER CO. PROPERTY AND MUST NOT BE USED EXCEPT IN CONNECTION WITH KOHLER CO. WORK. ALL RIGHTS OF DESIGN OR INVENTION ARE RESERVED.

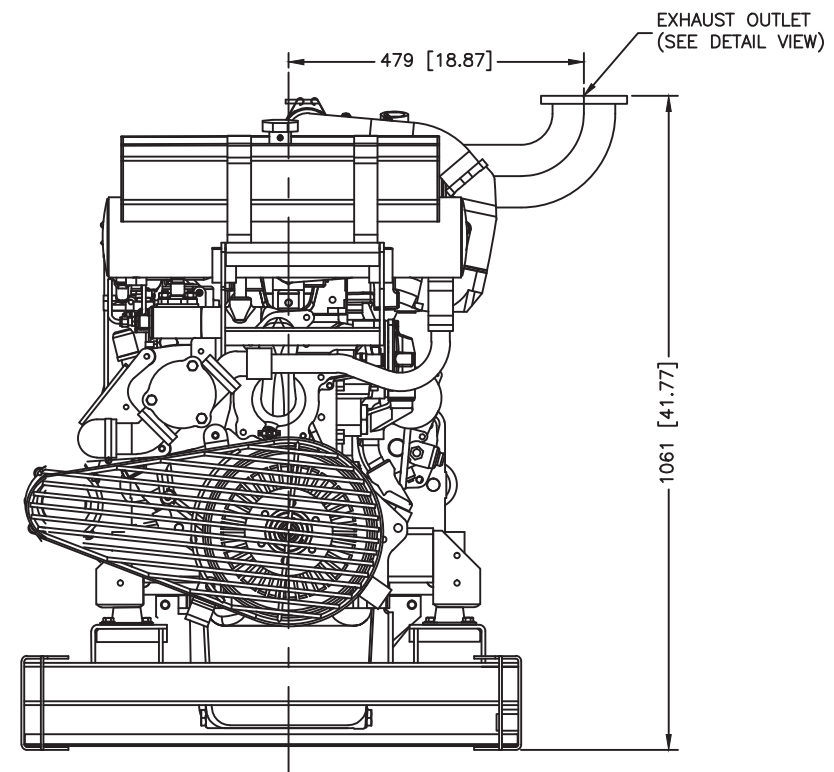
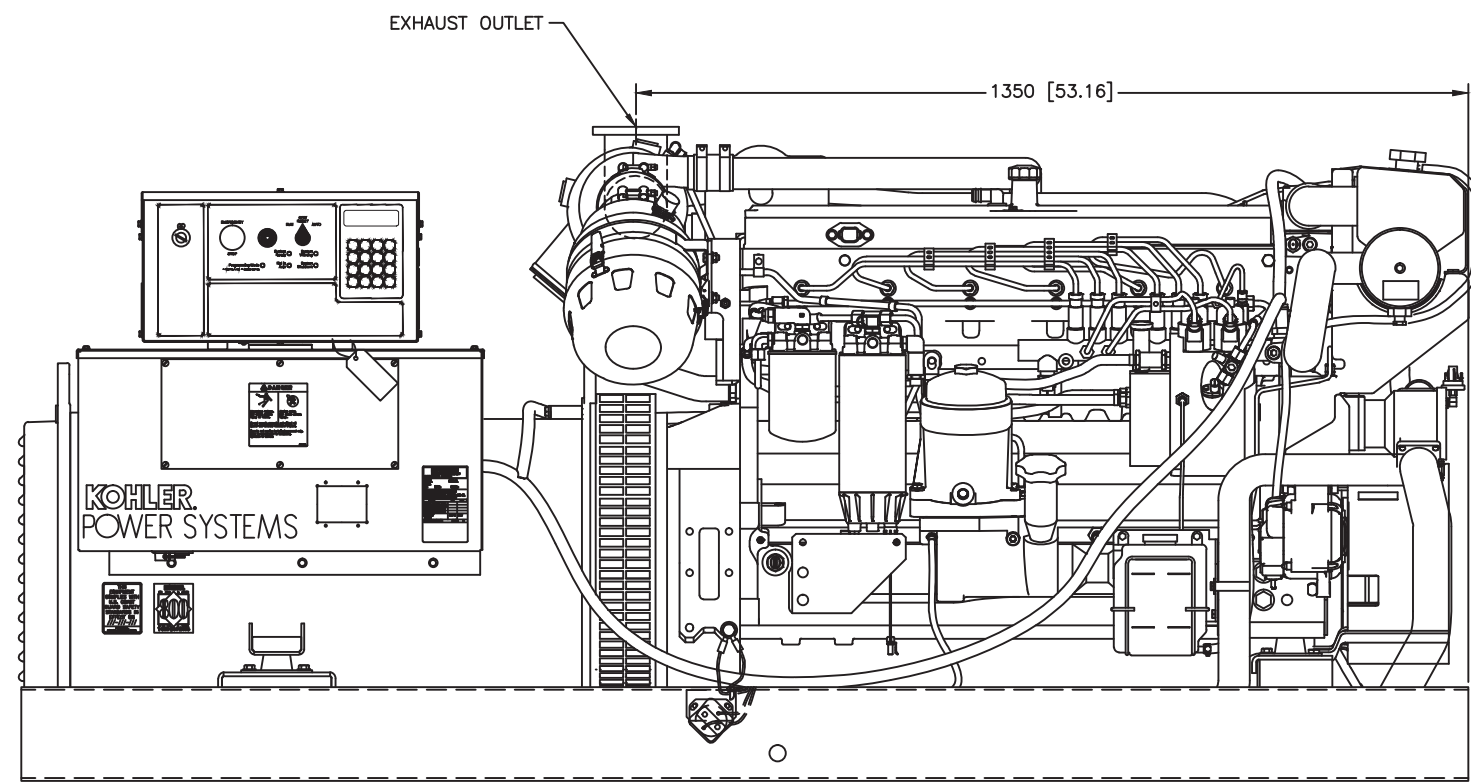
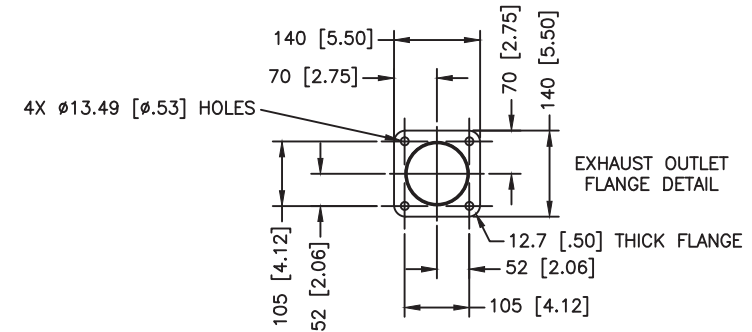
DIMENSION PRINT

150E0ZD/125EFOZD
JOHN DEERE POWERTECH

ADV-7142

D

REV	DATE	REVISION	BY
-	11-16-05	NEW DRAWING [78963]	DDH
A	8-10-07	SEE SHEETS 1 AND 2 [83289]	SAM
B	6-3-08	SEE SHEETS 1 AND 2 OF 4. [85164]	GFR
C	6-29-09	SEE SHEET 2 [87618]	SAM
D	9-9-09	(A-1) SHEET 3-5 WAS 3-4 [87511]	DDH
E	12-6-10	SEE SHEET 1 [90263]	DDH
F	1-3-12	SEE SHEET 2 [92305]	SAM



DRY EXHAUST ELBOW

NOTE
DIMENSIONS IN [] ARE INCH EQUIVALENTS.

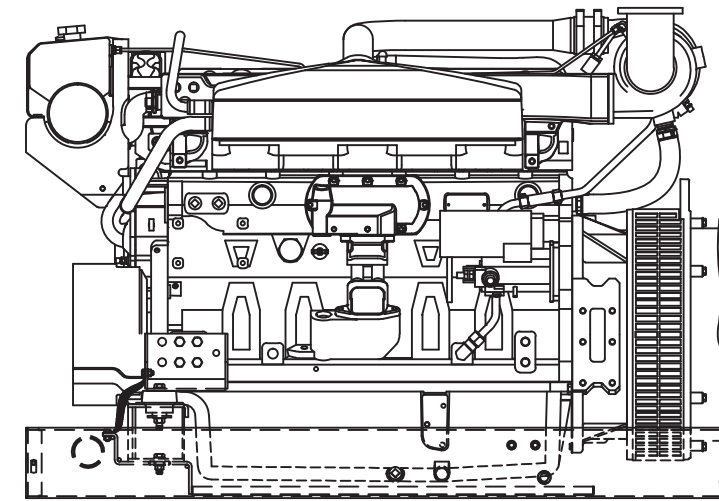
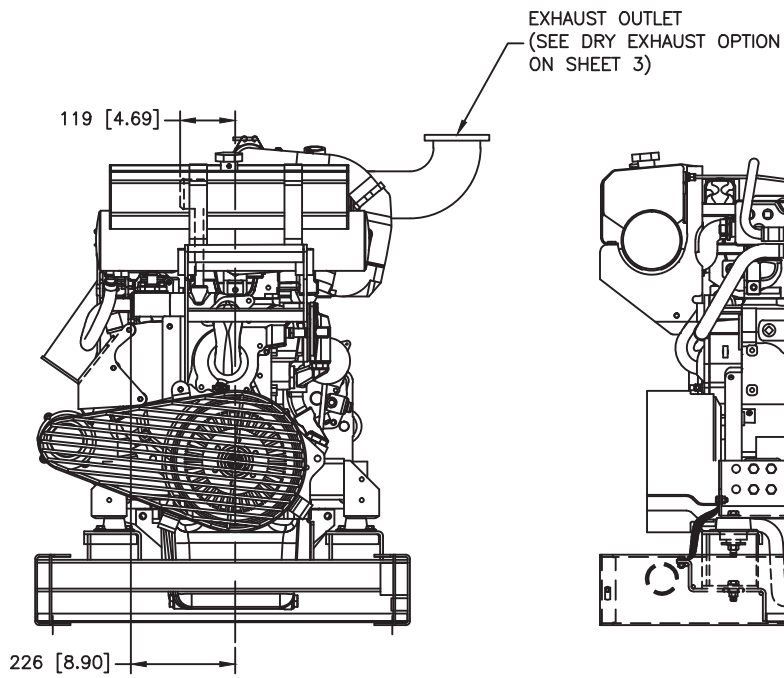
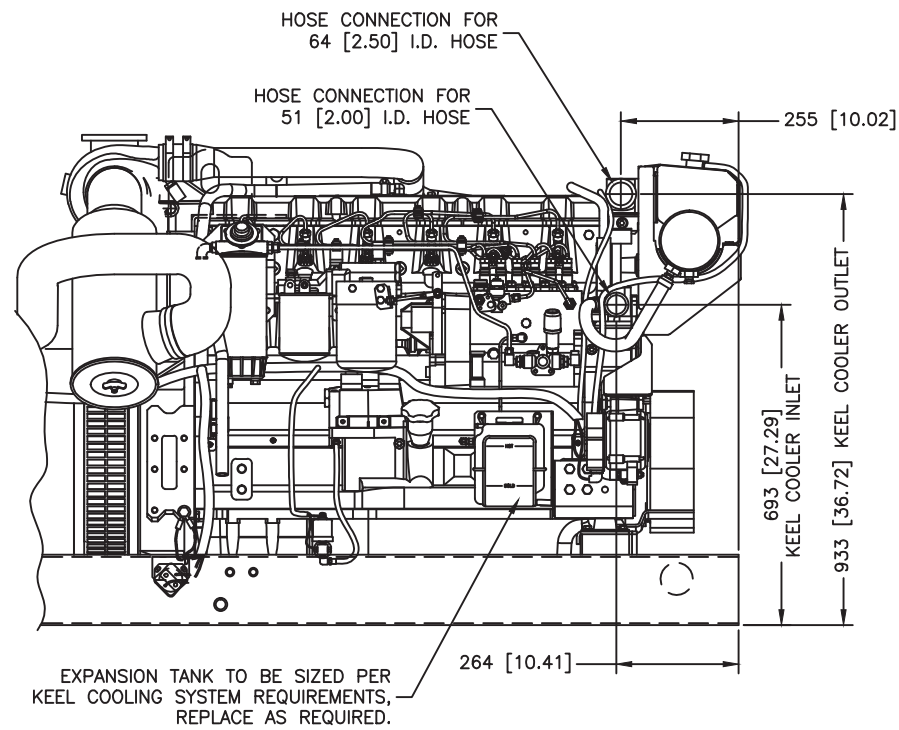
METRIC CAD FILE

UNLESS OTHERWISE SPECIFIED - 1) DIMENSIONS ARE IN MILLIMETERS 2) TOLERANCES ARE: XXX ± XX ± X ± ANGLES ±		SURFACE FINISH ✓ MAX.		TITLE KOHLER CO. POWER SYSTEMS, KOHLER, WI 53044 U.S.A. THIS DRAWING, IN DESIGN AND DETAIL, IS KOHLER CO. PROPERTY AND MUST NOT BE USED EXCEPT IN CONNECTION WITH KOHLER CO. WORK. ALL RIGHTS OF DESIGN OR INVENTION ARE RESERVED.	
APPROVALS		DATE		DIMENSION PRINT	
DRAWN	DDH	11-16-05	SCALE	0.2	SHEET 3-5
CHECKED	DDH	11-16-05	DRW. NO.		
APPROVED	ALC	11-16-05	ADV-7142		D

150EOZD/125EFOZD
JOHN DEERE MARINE
POWERTECH

PLOTTED DATE

REV	DATE	REVISION	BY
-	11-16-05	NEW DRAWING [78963]	DDH
A	8-10-07	SEE SHEETS 1 AND 2 [83289]	SAM
B	6-3-08	SEE SHEETS 1 AND 2 OF 4. [85164]	GFR
C	6-29-09	SEE SHEET 2 [87618]	SAM
D	9-9-09	(A-1) SHEET 4-5 WAS 4-4 [87511]	DDH
E	12-6-10	SEE SHEET 1 [90263]	DDH
F	1-3-12	SEE SHEET 2 [92305]	SAM



KEEL COOLING OPTION
INCLUDES DRY EXHAUST SEE SHEET 3

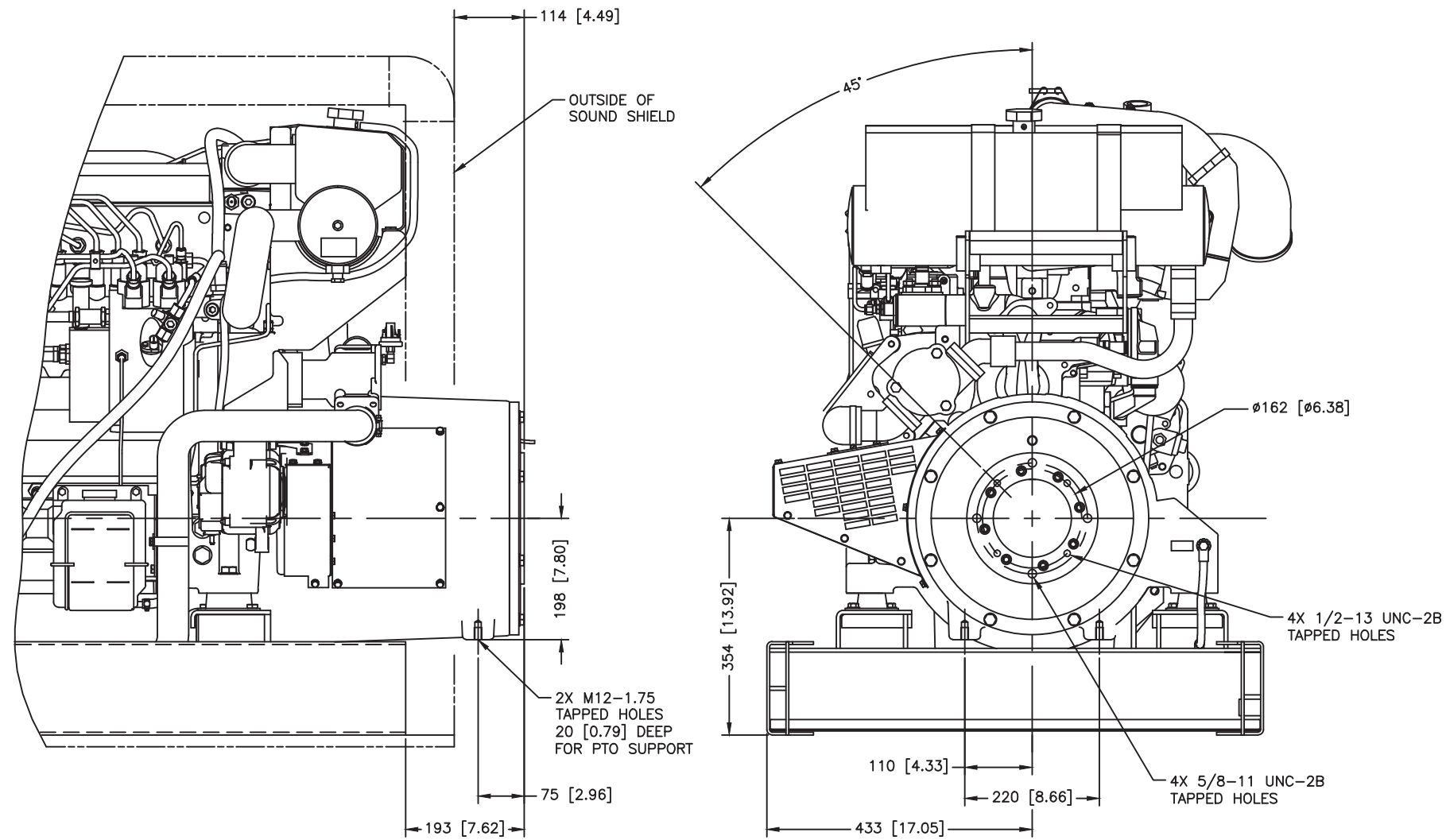
NOTE
DIMENSIONS IN [] ARE INCH EQUIVALENTS.

METRIC CAD FILE

UNLESS OTHERWISE SPECIFIED - 1) DIMENSIONS ARE IN MILLIMETERS 2) TOLERANCES ARE: XXX ± XX ± X ± ANGLES ±		SURFACE FINISH ✓ MAX.		TITLE KOHLER CO. POWER SYSTEMS, KOHLER, WI 53044 U.S.A. THIS DRAWING, IN DESIGN AND DETAIL, IS KOHLER CO. PROPERTY AND MUST NOT BE USED EXCEPT IN CONNECTION WITH KOHLER CO. WORK. ALL RIGHTS OF DESIGN OR INVENTION ARE RESERVED.	
APPROVALS		DATE		SCALE 0.15	
DRAWN DDH	11-16-05	SCALE	0.15	DWG. NO.	ADV-7142
CHECKED DDH	11-16-05	SHEET	4-5	DATE	
APPROVED ALC	11-16-05	PLOTTED DATE			

150EOZD/125EFOZD
JOHN DEERE MARINE

REV	DATE	REVISION	BY
D	9-9-09	SHEET 5-5 ADDED [87511]	DDH
E	12-6-10	SEE SHEET 1 [90263]	DDH
F	1-3-12	SEE SHEET 2 [92305]	SAM



ELECTRIC CLUTCH POWER TAKE-OFF
SAE "C" SPLINED 2-4 BOLT HYDRAULIC PUMP MOUNTING

METRIC CAD FILE

NOTE
DIMENSIONS IN [] ARE INCH EQUIVALENTS.

UNLESS OTHERWISE SPECIFIED - 1) DIMENSIONS ARE IN MILLIMETERS 2) TOLERANCES ARE: X.XX ± X.X ± X ± ANGLES ±		SURFACE FINISH ✓ MAX.	
APPROVALS		DATE	
DRAWN	DDH	9-9-09	
CHECKED	DDH	9-9-09	
APPROVED	BMZ	9-9-09	
DRAWN		SCALE	SHEET
125EOZD/100EFOZD 150EOZD/125EFOZD JOHN DEERE MARINE		0.25	5-5
TITLE		PLOTTED DATE	
DIMENSION PRINT		ADV-7142 D	