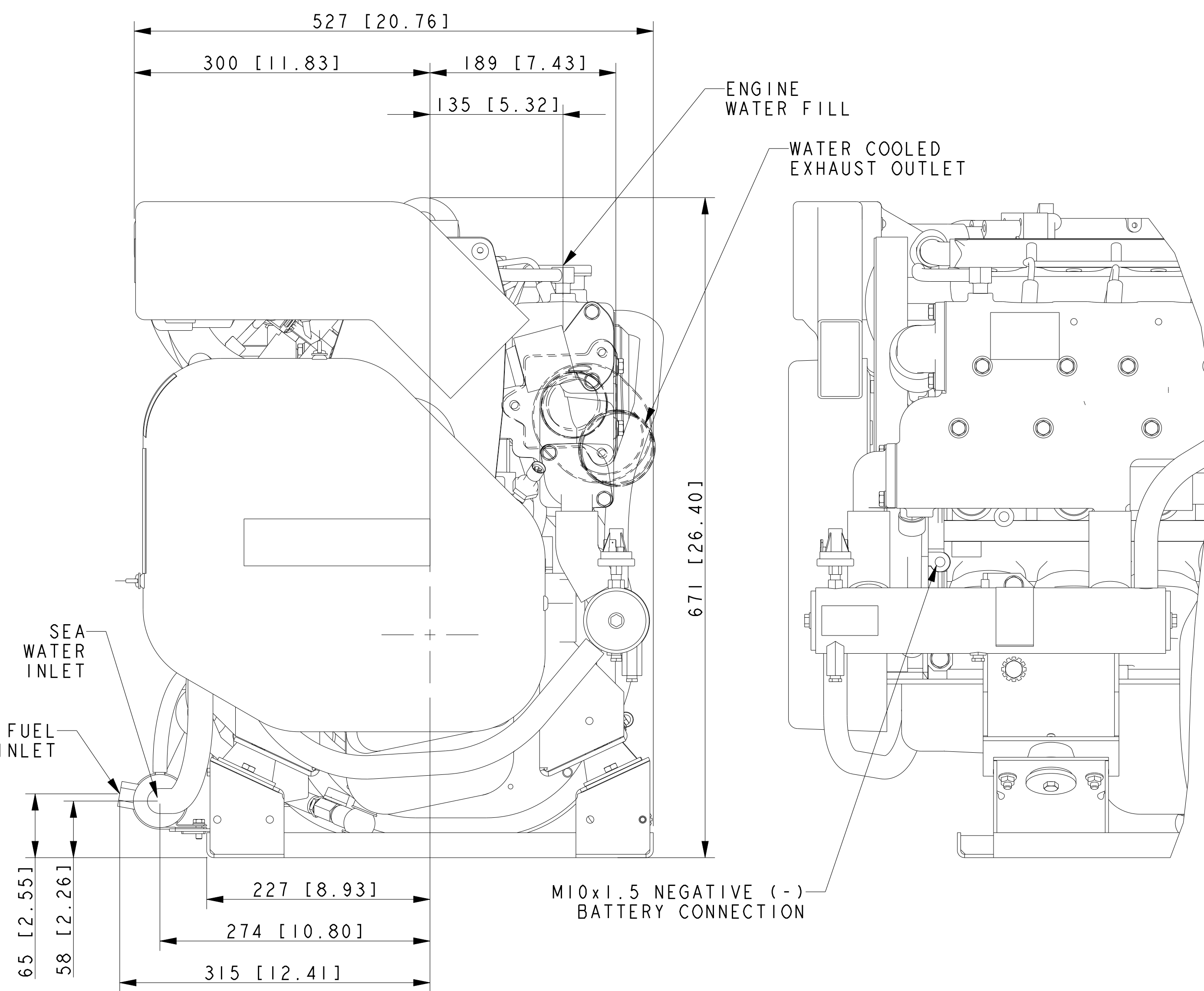
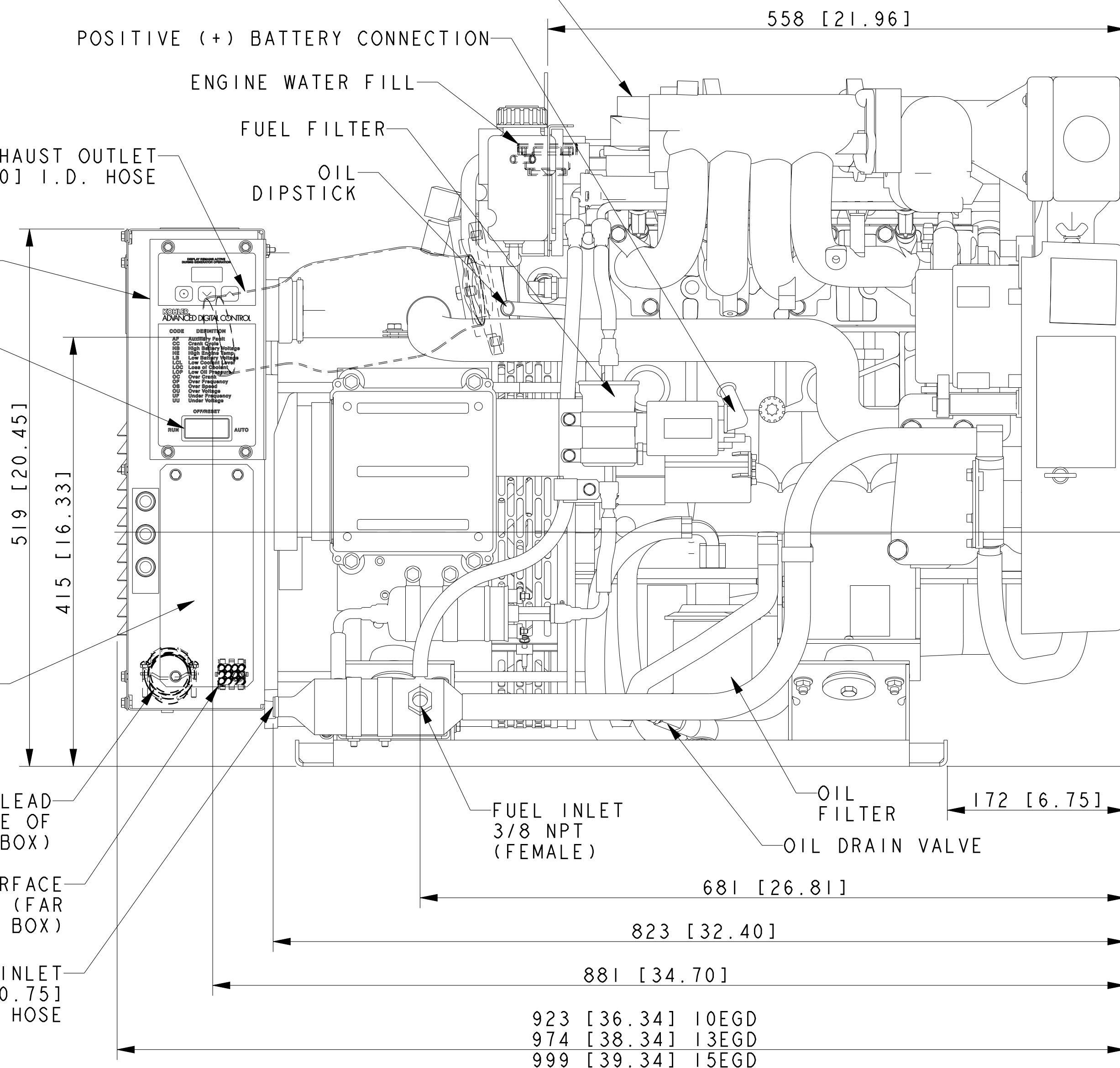
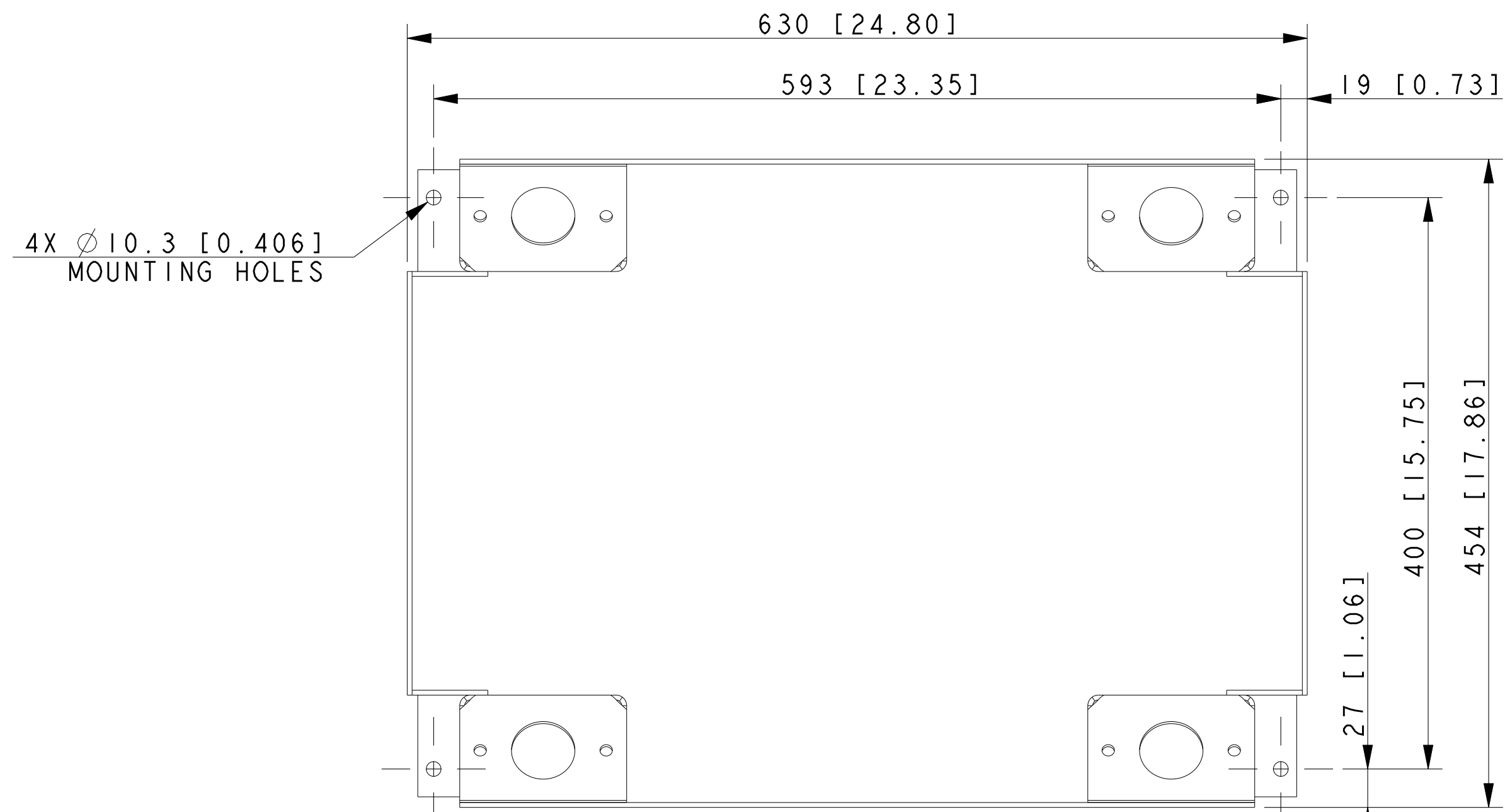
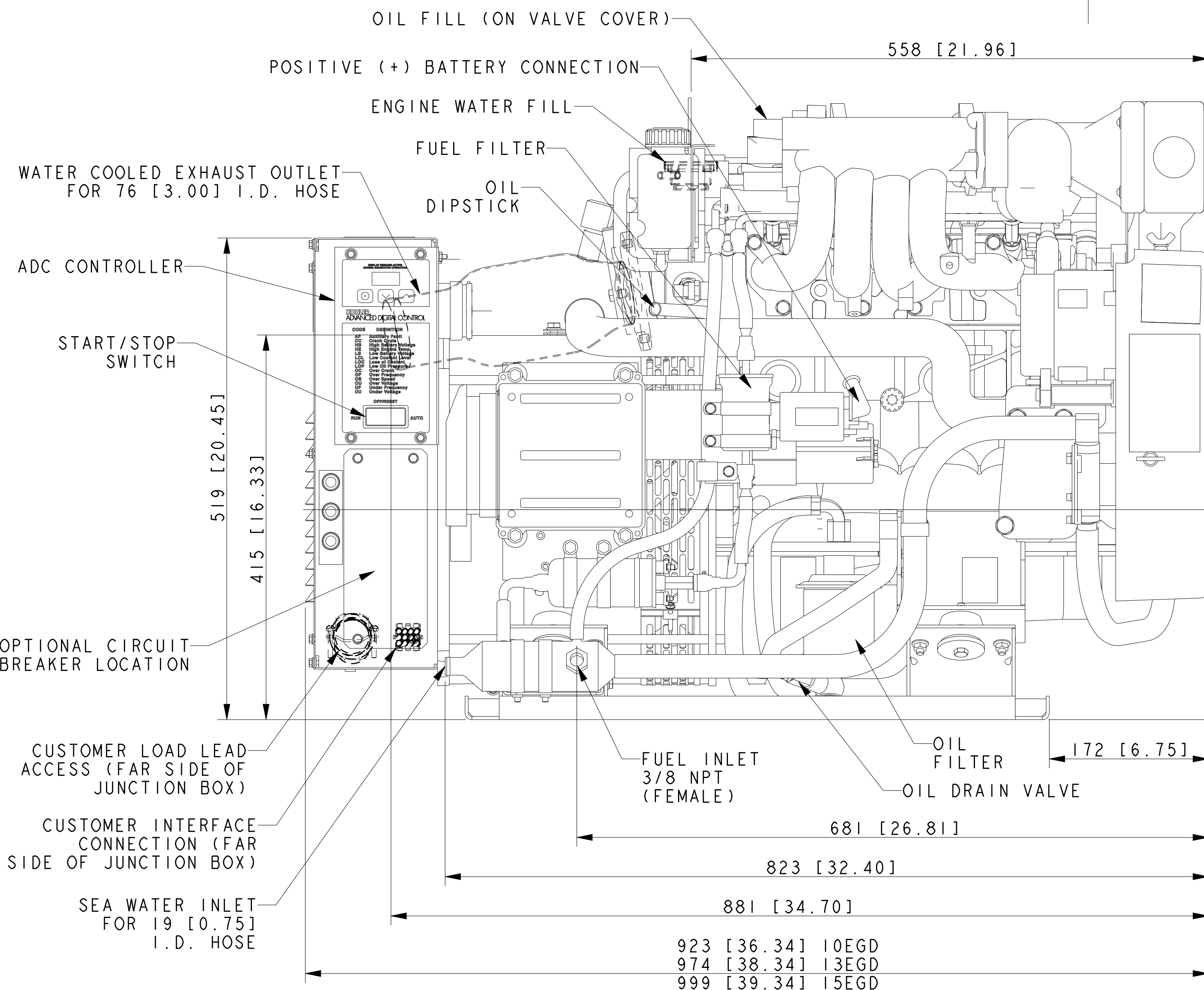


4X Ø10.3 [0.406]
MOUNTING HOLES

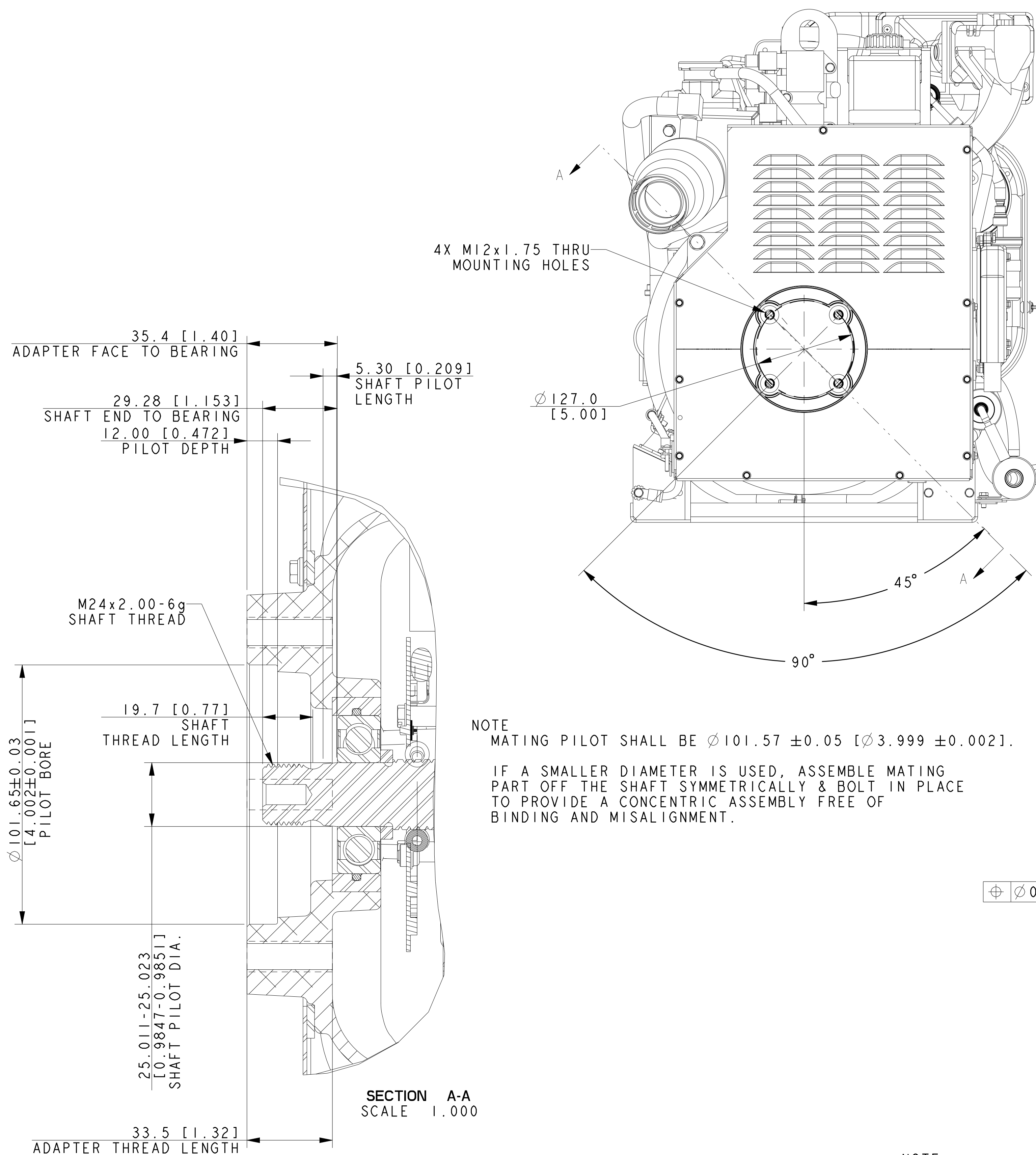


NOTE
DIMENSIONS IN [] ARE
INCH EQUIVALENTS.

10EGD/13EGD/15EGD
LOW CO GM 1.6L MARINE

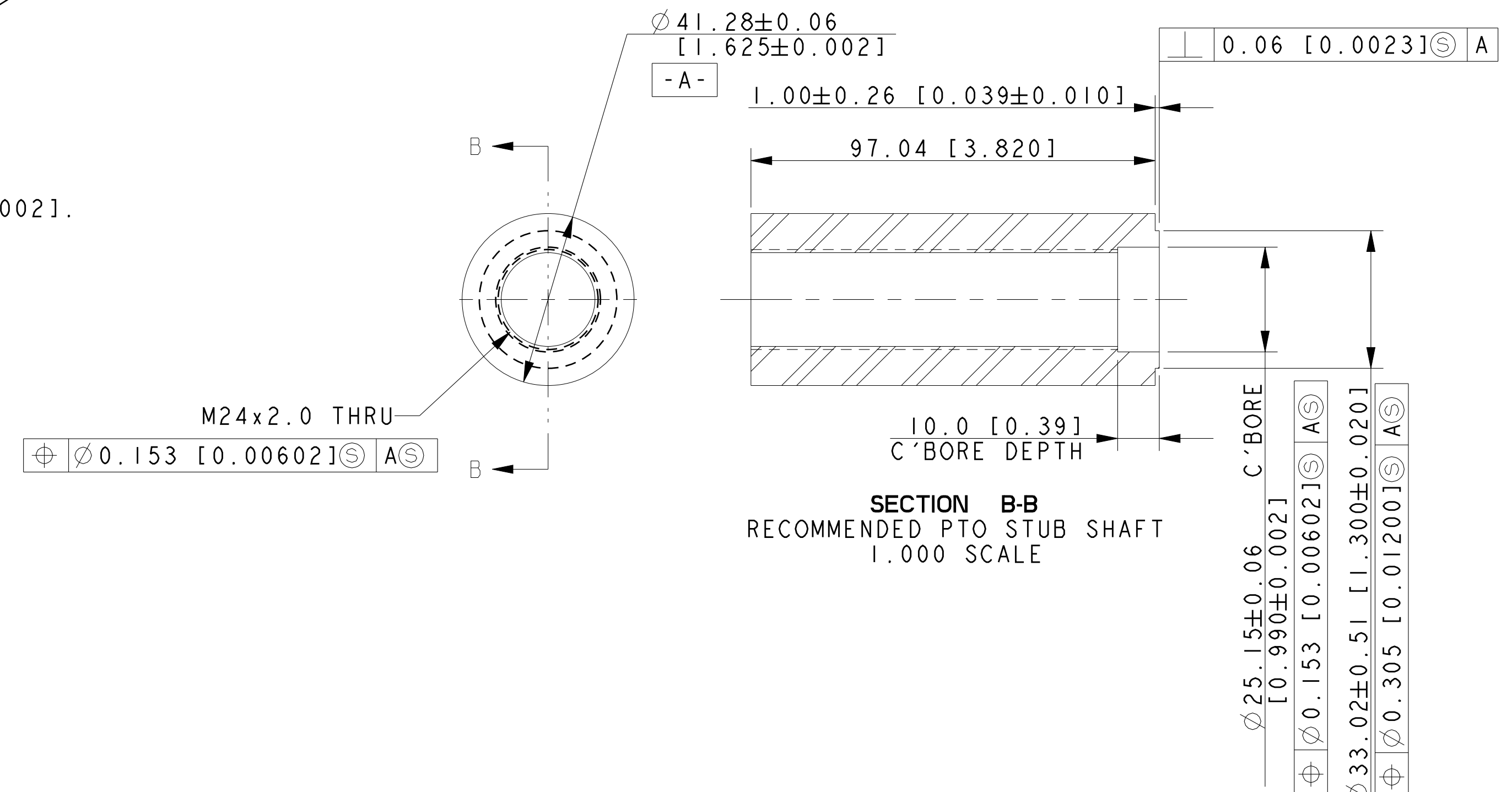
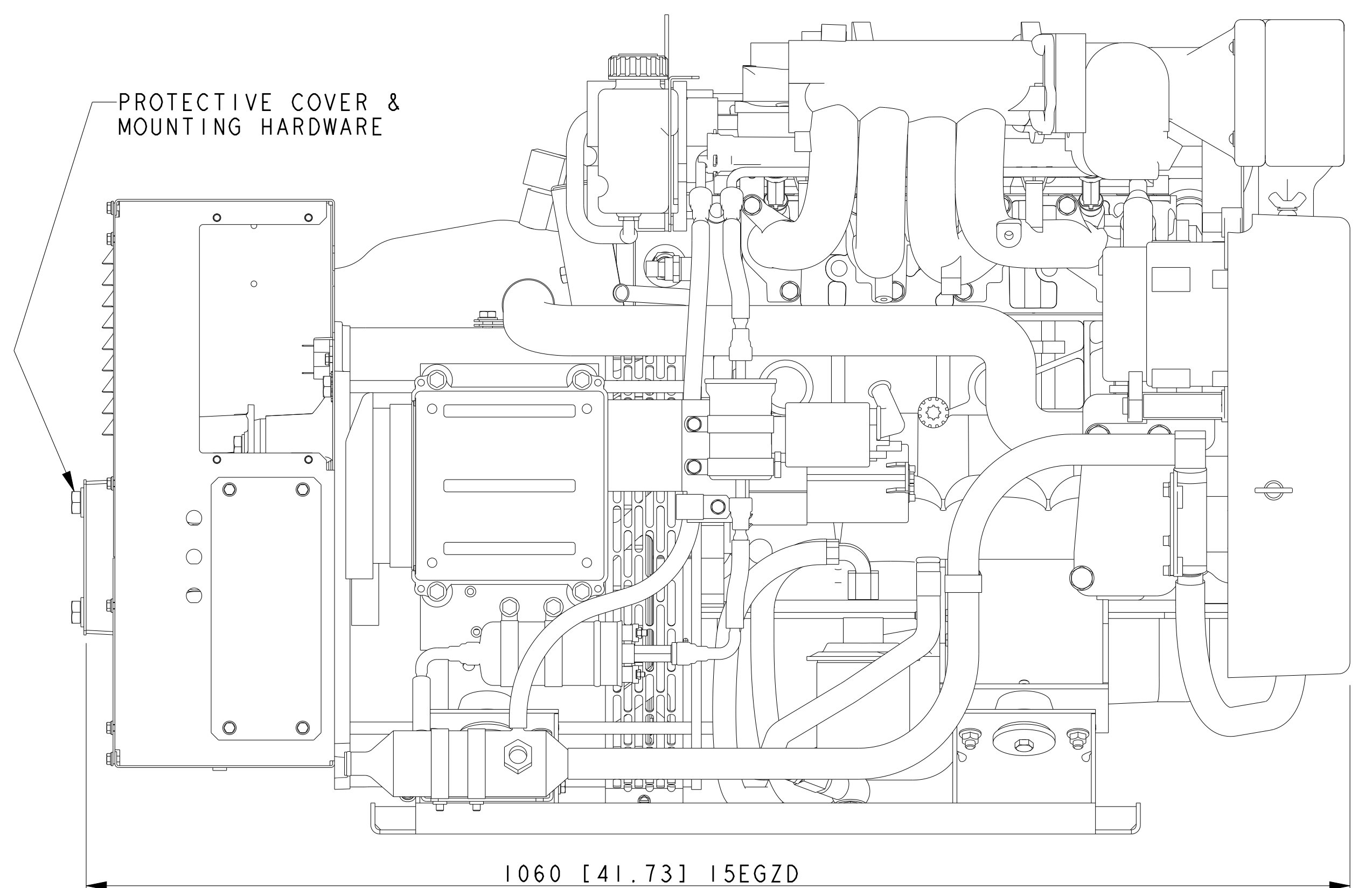
REV	DATE	REVISION	BY	UNLESS OTHERWISE SPECIFIED - 1) DIMENSIONS ARE IN MILLIMETERS 2) TOLERANCES ARE:
-	7-25-06	NEW DRAWING [77866]	DDH	X.XX ± 0.25
A	4-1-10	SEE SHEET 2 OF 2 [89542]	DDH	X.X ± 1.0 X ± 1.5 ANGLES ± 0° 30' MAX.
				SURFACE FINISH
				THIRD ANGLE PROJECTION
				APPROVALS
				DATE
				DRAWN DDH 7-25-06
				CHECKED DDH 7-25-06
				APPROVED BMZ 7-25-06

KOHLER CO. METRIC PRO-E	
POWER SYSTEMS, KOHLER, WI 53044 U.S.A.	
THIS DRAWING IN DESIGN AND DETAIL IS KOHLER CO. PROPERTY AND MUST NOT BE USED EXCEPT IN CONNECTION WITH KOHLER CO. WORK. ALL RIGHTS OF DESIGN OR INVENTION ARE RESERVED.	
TITLE	
DIMENSION PRINT	
SCALE 1.00 CAD NO.	SHEET 1 of 2
DWG NO. ADV-7278	D



NOTE
MATING PILOT SHALL BE $\text{Ø}101.57 \pm 0.05$ [$\text{Ø}3.999 \pm 0.002$].
IF A SMALLER DIAMETER IS USED, ASSEMBLE MATING PART OFF THE SHAFT SYMMETRICALLY & BOLT IN PLACE TO PROVIDE A CONCENTRIC ASSEMBLY FREE OF BINDING AND MISALIGNMENT.

NOTE
DIMENSIONS IN [] ARE INCH EQUIVALENTS.



REV	DATE	REVISION	BY	UNLESS OTHERWISE SPECIFIED - 1) DIMENSIONS ARE IN MILLIMETERS 2) TOLERANCES ARE: X.XX ± 0.25 X.X ± 1.0 X ± 1.5 ANGLES ± 0° 30'	SURFACE FINISH MAX.	THIRD ANGLE PROJECTION	APPROVALS	DATE	TITLE
-	7-25-06	NEW DRAWING [77866]	DDH						KOHLER CO. METRIC PRO-E POWER SYSTEMS, KOHLER, WI 53044 U.S.A. THIS DRAWING IN DESIGN AND DETAIL IS KOHLER CO. PROPERTY AND MUST NOT BE USED EXCEPT IN CONNECTION WITH KOHLER CO. WORK. ALL RIGHTS OF DESIGN OR INVENTION ARE RESERVED.
A	4-1-10	(B-6) NOTE ADDED; (C-2) 13EGZD DIMENSION REMOVED [89542]	DDH						
									DIMENSION PRINT SCALE 0.30 CAD NO. SHEET 2 of 2 Dwg No. ADV-7278

15EGZD
LOW CO GM 16L MARINE W/PTO