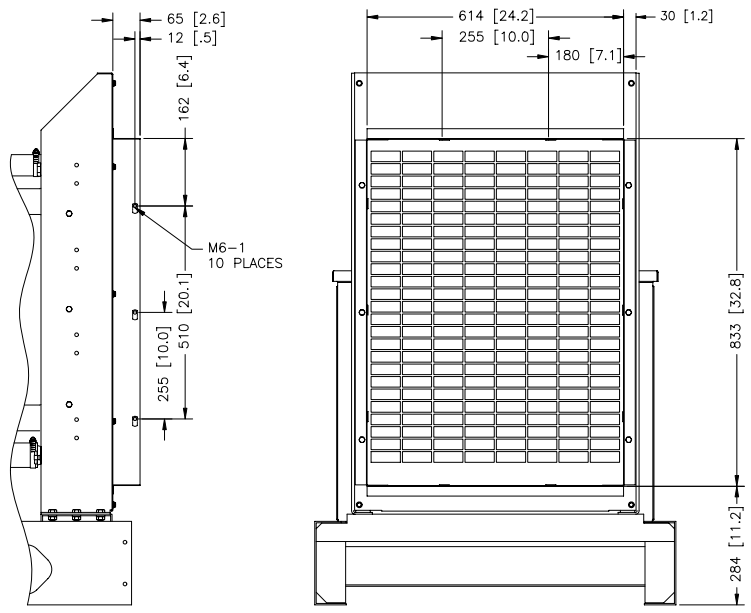
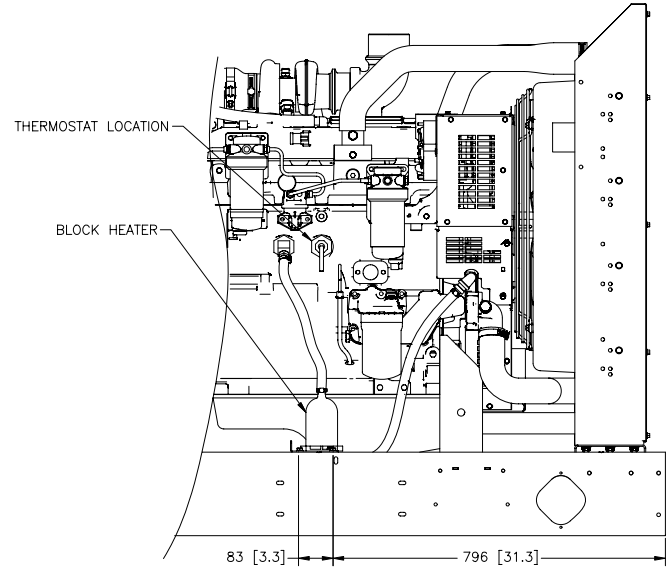




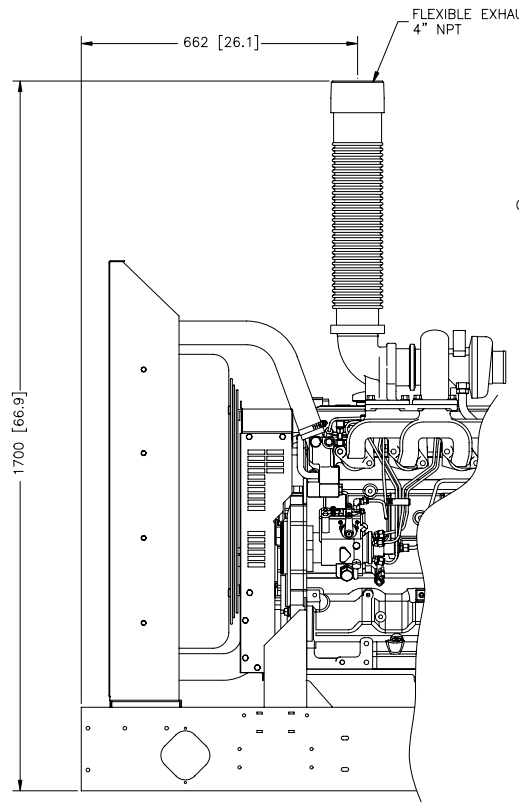
REV	DATE	REVISION	BY
-	11-14-06	NEW DRAWING [70493]	SAM



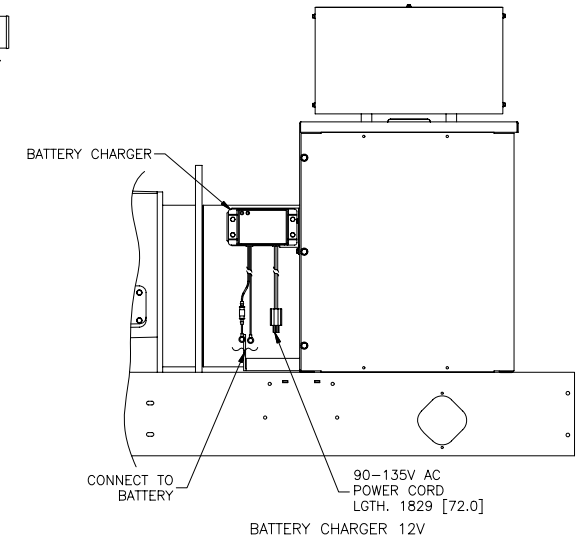
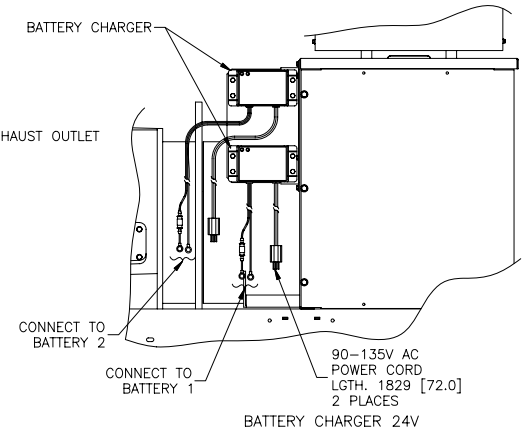
RADIATOR DUCT FLANGE



BLOCK HEATER



FLEXIBLE EXHAUST



METRIC CAD FILE

NOTE: DIMENSIONS IN [ ] ARE ENGLISH EQUIVALENTS.

80 MODEL, 4S7, 4S9, 4V9  
100 MODEL, 4S9, 4S11, 4V11  
RECONNECTABLE  
IMPROVED MOTOR STARTING (IMS) RECONNECTABLE  
600V & 1 PHASE ALTERNATORS  
4045HF285 JOHN DEERE, TIER III

UNLESS OTHERWISE SPECIFIED:	1) DIMENSIONS ARE IN MILLIMETERS	2) TOLERANCES ARE:	SURFACE FINISH:
0.25 ±	0.1 ±	0.1 ±	MAX.
0.5 ±	0.2 ±	0.2 ±	
1 ±	0.4 ±	0.4 ±	
ANGLES ±			

APPROVALS: [Signature] DATE: 11-14-06  
DRAWN: KCM DATE: 11-14-06  
CHECKED: KCM DATE: 11-14-06  
APPROVED: SLJ DATE: 9-19-03

SCALE: 1:1X Dwg No.: ADV7321B.DWG SHEET: 2-2  
DIMENSION PRINT  
ADV-7321 D