

REV	DATE	REVISION	BY
-	11-20-06	NEW DRAWING [79051]	KDW
A	9-11-08	(A-1) SEISMIC NOTE ADDED [86012]	SAM
B	11-6-08	ALL INCH EQUIVALENT DIMS UPDATED [86627]	DJG

MODEL	GENSET WEIGHT (WET) W/STEEL WEATHER ENCL	STEEL WEATHER ENCLOSURE ONLY
80 4S7	1294 KG [2852 LBS]	239 KG [525 LBS]
80 4S9, 4V9 100 4S9	1363 KG [3004 LBS]	239 KG [525 LBS]
100 4S11, 4V11	1518 KG [3346 LBS]	239 KG [525 LBS]

WEATHER ENCLOSURE W/ROOF MOUNTED CRITICAL SILENCER  
 80 MODEL, 4S7, 4S9, 4V9  
 100 MODEL, 4S9, 4S11, 4V11  
 RECONNECTABLE  
 IMPROVED MOTOR STARTING (IMS) RECONNECTABLE  
 600V & 1 PHASE ALTERNATOR  
 4045HF285 JOHN DEERE, TIER III

UNLESS OTHERWISE SPECIFIED -  
 1) DIMENSIONS ARE IN MILLIMETERS  
 2) TOLERANCES ARE:  
 XXX ± SURFACE FINISH  
 XX ± MAX.  
 X ±  
 ANGLES ±

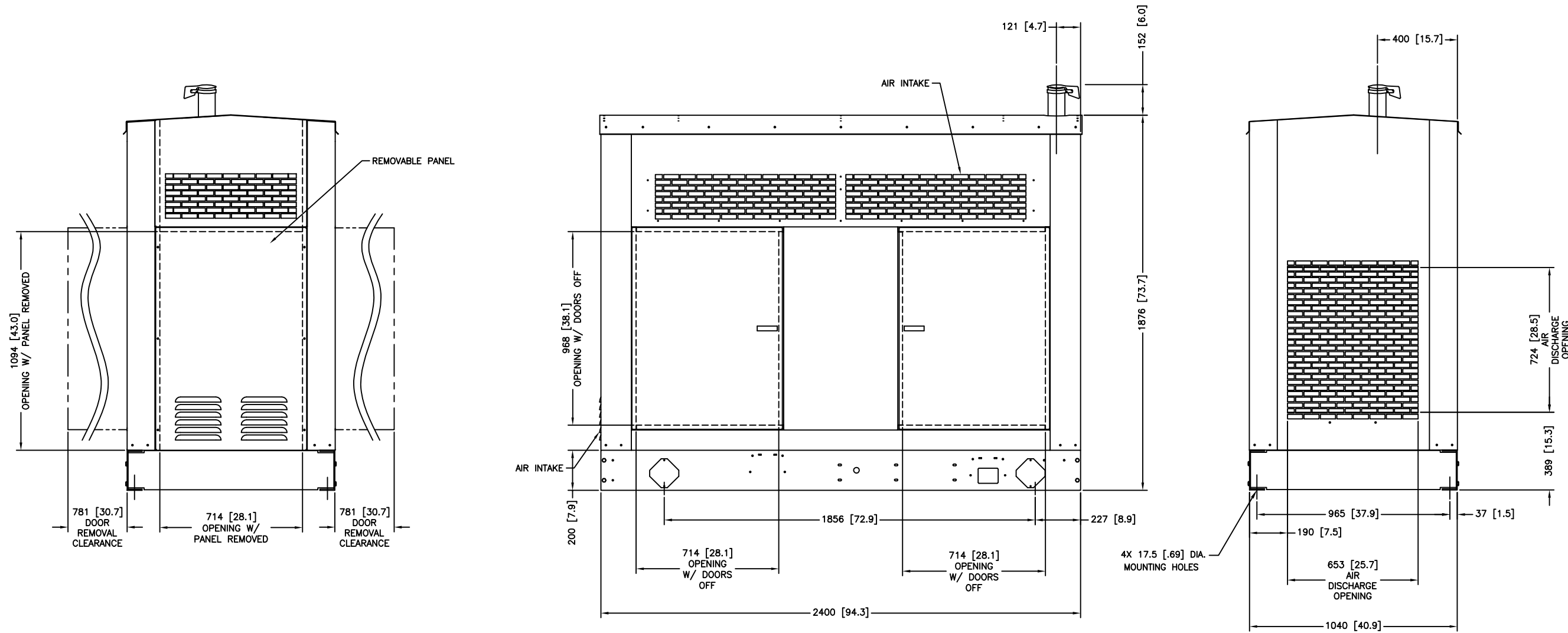
**KOHLER CO.**  
 POWER SYSTEMS, KOHLER, WI 53044 U.S.A.  
 THIS DRAWING, IN DESIGN AND DETAIL, IS KOHLER CO. PROPERTY AND  
 MUST NOT BE USED EXCEPT IN CONNECTION WITH KOHLER CO. WORK.  
 ALL RIGHTS OF DESIGN OR INVENTION ARE RESERVED.

**DIMENSION PRINT**

APPROVALS	DATE	SCALE	DWG. NO.	SHEET
DRAWN KDW	11-20-06	0.15X	ADV7322A.DWG	1-4
CHECKED KDW	11-20-06			
APPROVED SLJ	11-20-06			

PLOTTED DATE

REV	DATE	REVISION	BY
-	11-20-06	NEW DRAWING [79051]	KDW
A	9-11-08	SEE SHEET 1 [86012]	SAM
B	11-6-08	ALL INCH EQUIVALENT DIMS UPDATED [86627]	DJG



METRIC CAD FILE

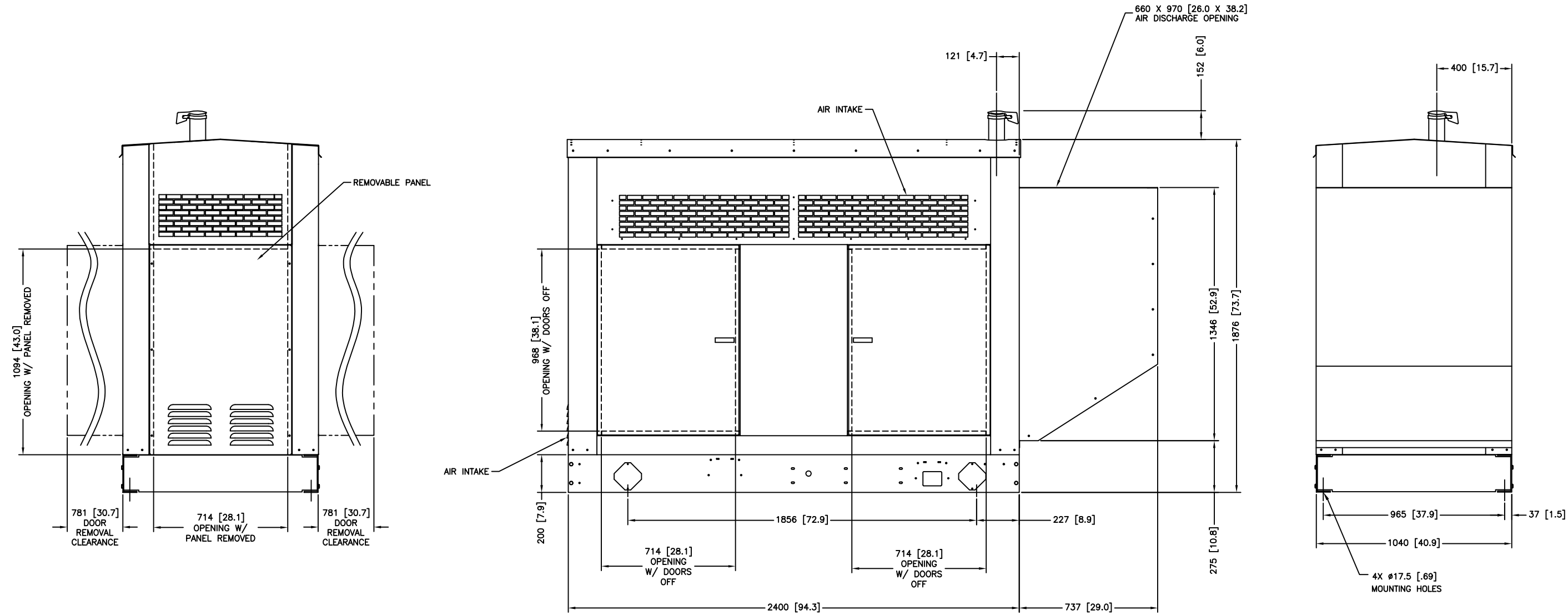
DIMENSIONS IN [ ] ARE INCH EQUIVALENT

MODEL	GENSET WEIGHT (WET) W/WEATHER ENCLOSURE	WEATHER ENCLOSURE ONLY
80 4S7	1409 KG [3106 LBS]	354 Kg [780 LBS]
80 4S9, 4V9 100 4S9	1479 KG [3260 LBS]	354 Kg [780 LBS]
100 4S11, 4V11	1588 KG [3500 LBS]	354 Kg [780 LBS]

WEATHER ENCLOSURE W/ENCLOSED CRITICAL SILENCER  
 80 MODEL, 4S7, 4S9, 4V9  
 100 MODEL, 4S9, 4S11, 4V11  
 RECONNECTABLE  
 IMPROVED MOTOR STARTING (IMS) RECONNECTABLE  
 600V & 1 PHASE ALTERNATOR  
 4045HF285 JOHN DEERE, TIER III

UNLESS OTHERWISE SPECIFIED - 1) DIMENSIONS ARE IN MILLIMETERS 2) TOLERANCES ARE: X.XX ± X ± ANGLES ±		SURFACE FINISH ✓ MAX.	
APPROVALS		DATE	
DRAWN	KDW	11-20-06	SCALE 0.1X
CHECKED	KDW	11-20-06	CAD NO. ADV7322B.DWG
APPROVED	SLJ	11-20-06	SHEET 2-4
TITLE DIMENSION PRINT			DWG. NO. ADV-7322
PLOTTED DATE			D

REV	DATE	REVISION	BY
-	11-20-06	NEW DRAWING [79051]	KDW
A	9-11-08	SEE SHEET 1 [86012]	SAM
B	11-6-08	ALL INCH EQUIVALENT DIMS UPDATED [86627]	DJG



MODEL	GENSET WEIGHT (WET) W/SOUND ENCLOSURE	SOUND ENCLOSURE ONLY
80 4S7	1468 KG [3236 LBS]	413 Kg [910 LBS]
80 4S9, 4V9 100 4S9	1538 KG [3390 LBS]	413 Kg [910 LBS]
100 4S11, 4V11	1647 KG [3630 LBS]	413 Kg [910 LBS]

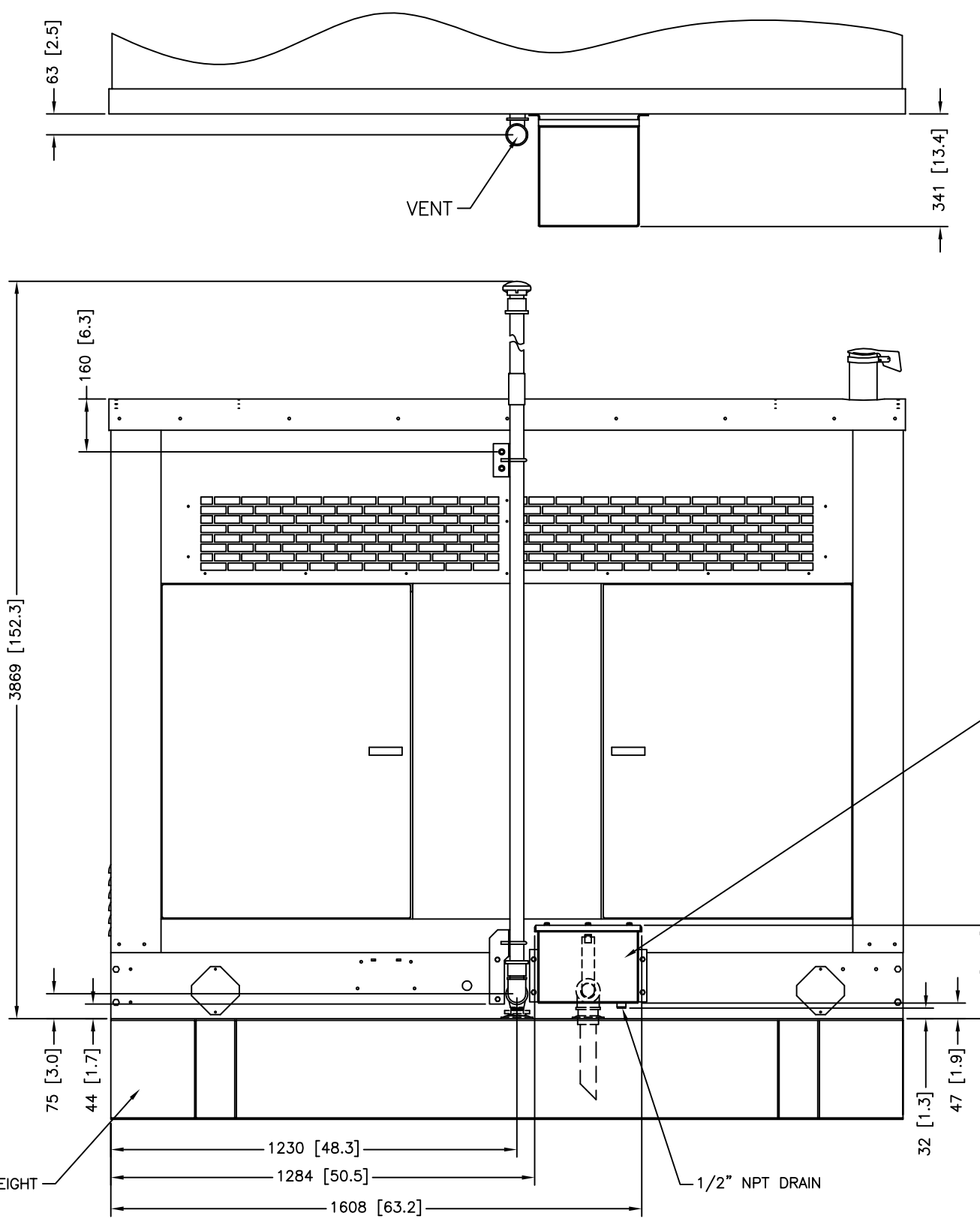
SOUND ENCLOSURE W/ENCLOSED CRITICAL SILENCER  
 80 MODEL, 4S7, 4S9, 4V9  
 100 MODEL, 4S9, 4S11, 4V11  
 RECONNECTABLE  
 IMPROVED MOTOR STARTING (IMS) RECONNECTABLE  
 600V & 1 PHASE ALTERNATOR  
 4045HF285 JOHN DEERE, TIER III

METRIC CAD FILE

DIMENSIONS IN [ ] ARE INCH EQUIVALENT

UNLESS OTHERWISE SPECIFIED - 1) DIMENSIONS ARE IN MILLIMETERS 2) TOLERANCES ARE: X.XX ± X ± ANGLES ±		SURFACE FINISH ✓ MAX.		TITLE <b>KOHLER CO.</b> POWER SYSTEMS, KOHLER, WI 53044 U.S.A. THIS DRAWING, IN DESIGN AND DETAIL, IS KOHLER CO. PROPERTY AND MUST NOT BE USED EXCEPT IN CONNECTION WITH KOHLER CO. WORK. ALL RIGHTS OF DESIGN OR INVENTION ARE RESERVED.	
THIRD ANGLE PROJECTION		APPROVALS		DIMENSION PRINT	
DRAWN	KDW	DATE	11-20-06	SCALE	0.1X
CHECKED	KDW	DATE	11-20-06	CAD NO.	ADV7322C.DWG
APPROVED	SLJ	DATE	11-20-06	DWG. NO.	ADV-7322
PLOTTED DATE				SHEET 3-4	

REV	DATE	REVISION	BY
-	11-20-06	NEW DRAWING [79051]	KDW
A	9-11-08	SEE SHEET 1 [86012]	SAM
B	11-6-08	ALL INCH EQUIVALENT DIMS UPDATED [86627]	DJG



SEE TANK ADV FOR HEIGHT

18.9 LITER [5 GAL]  
SPILL TANK

1/2" NPT DRAIN

METRIC CAD FILE

DIMENSIONS IN [ ] ARE INCH EQUIVALENT

80 MODEL, 4S7, 4S9, 4V9  
100 MODEL, 4S9, 4S11, 4V11  
RECONNECTABLE  
IMPROVED MOTOR STARTING (IMS) RECONNECTABLE  
600V & 1 PHASE ALTERNATOR  
4045HF285 JOHN DEERE, TIER III

UNLESS OTHERWISE SPECIFIED - 1) DIMENSIONS ARE IN MILLIMETERS 2) TOLERANCES ARE: X.XX ± X.X ± X ± ANGLES ±		SURFACE FINISH ✓ MAX.		TITLE <b>KOHLER CO.</b> POWER SYSTEMS, KOHLER, WI 53044 U.S.A. THIS DRAWING, IN DESIGN AND DETAIL, IS KOHLER CO. PROPERTY AND MUST NOT BE USED EXCEPT IN CONNECTION WITH KOHLER CO. WORK. ALL RIGHTS OF DESIGN OR INVENTION ARE RESERVED.	
THIRD ANGLE PROJECTION		APPROVALS		DATE	
DRW	KDW	11-20-06	SCALE	0.13X	CAD NO. ADV7322D.DWG SHEET 4-4
CHECKED	KDW	11-20-06	DWG. NO.	ADV-7322	D
APPROVED	SLJ	11-20-06	PLOTTED DATE	1	