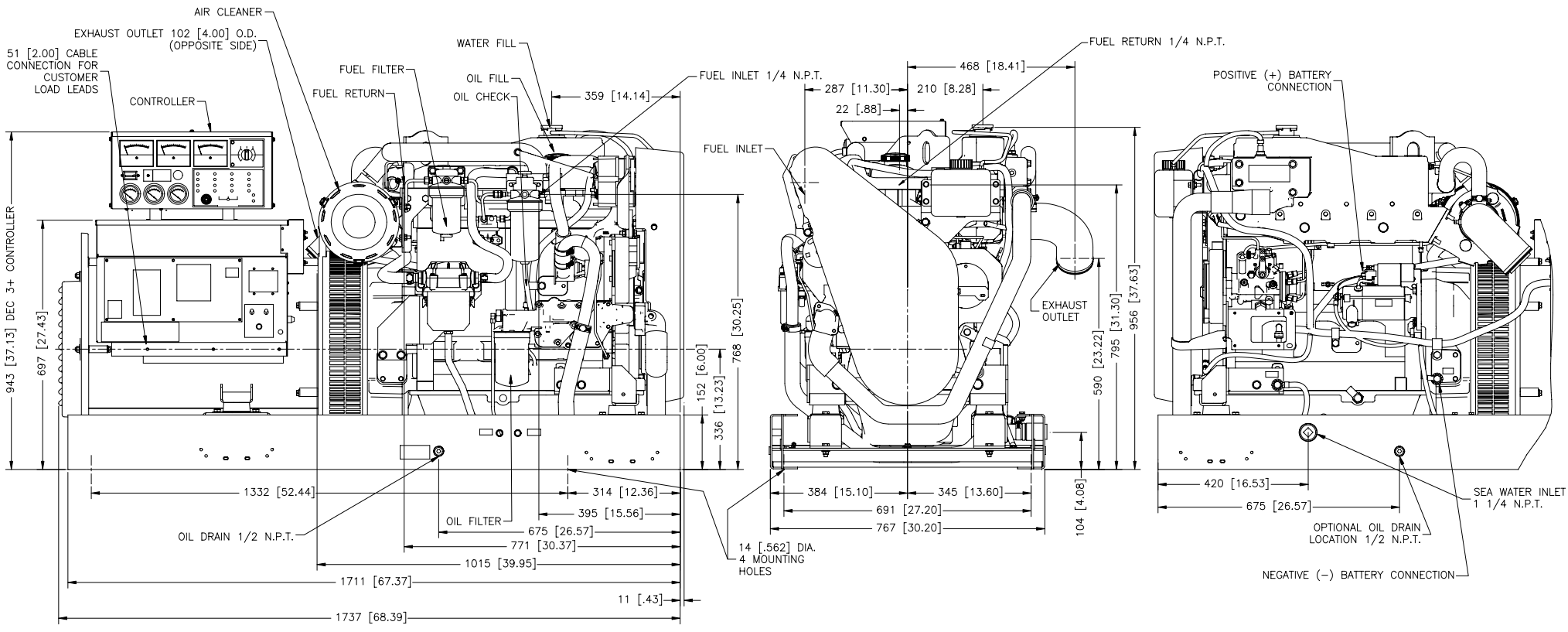


REV	DATE	REVISION	BY
-	1-7-08	NEW DRAWING [83784]	DDH



METRIC CAD FILE

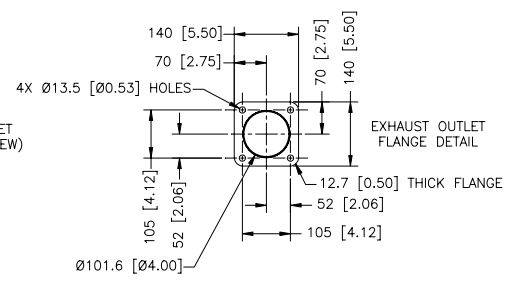
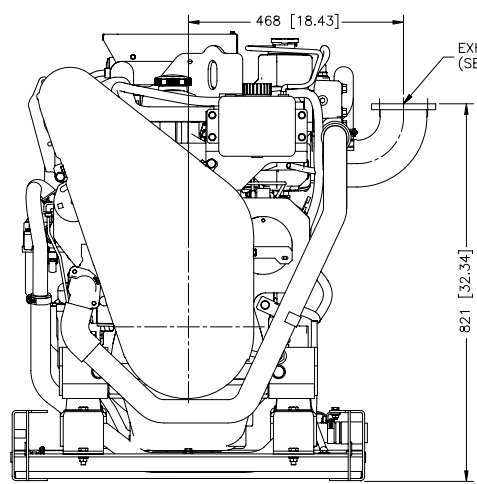
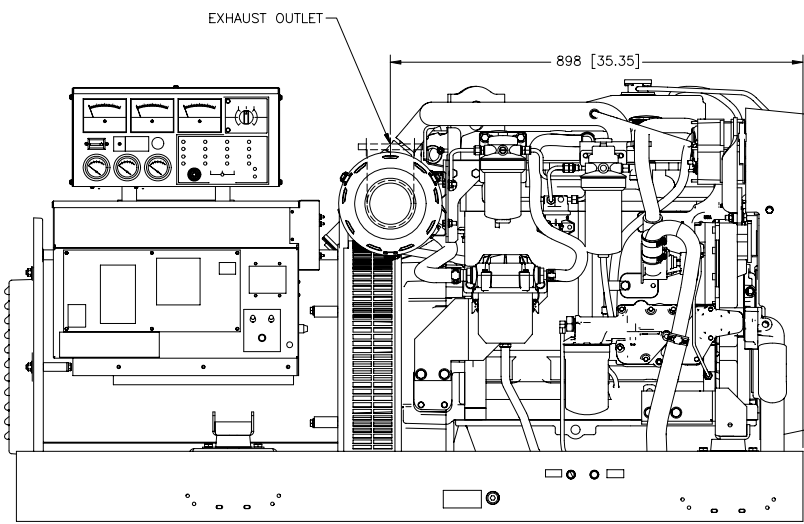
NOTES  
DIMENSIONS IN [ ] ARE IN INCH EQUIVALENTS.

DRY WEIGHT - 1098 Kg. [2420 LB.]  
WET WEIGHT - 1125 Kg. [2480 LB.]

65/55E0ZC  
50/40EFOZC  
JOHN DEERE MARINE

UNLESS OTHERWISE SPECIFIED -		SURFACE FINISH ARE:	
(1) DIMENSIONS ARE IN MILLIMETERS		MAX.	
(2) TOLERANCES ARE:		MIN.	
XXX ±		MAX.	
XX ±		MAX.	
X ±		MAX.	
∠ ±		MAX.	
ANGLES ±		MAX.	
THIS DRAWING IS THE PROPERTY OF KOHLER CO. IT IS TO BE USED ONLY IN CONNECTION WITH KOHLER CO. WORK. ALL RIGHTS OF DESIGN OR INVENTION ARE RESERVED.		TITLE	
APPROVALS		DATE	
DRAWN	DDH	1-7-08	
CHECKED	DDH	1-7-08	
APPROVED	ALC	1-7-08	
KOHLER CO. POWER SYSTEMS, KOHLER, WI 53044 U.S.A. THIS DRAWING IS DESIGN AND DETAIL, © KOHLER CO. PROPERTY AND MUST BE USED ONLY IN CONNECTION WITH KOHLER CO. WORK. ALL RIGHTS OF DESIGN OR INVENTION ARE RESERVED.		DIMENSION PRINT	
SCALE	.2X	DWG NO.	ADV7442.DWG
SHEET	1-4	PLOTTED DATE	1

REV	DATE	REVISION	BY
-	1-7-08	NEW DRAWING [83784]	DDH



DRY EXHAUST ELBOW

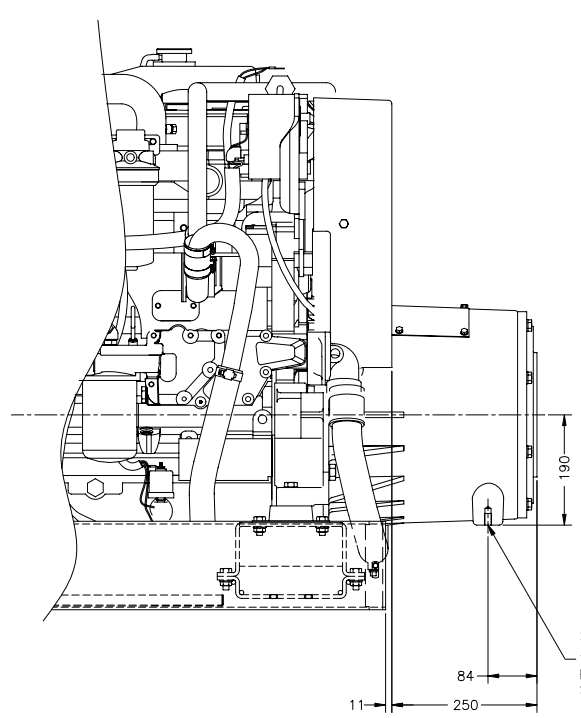
NOTE:  
DIMENSIONS IN [ ] ARE IN INCH EQUIVALENTS.

METRIC CAD FILE

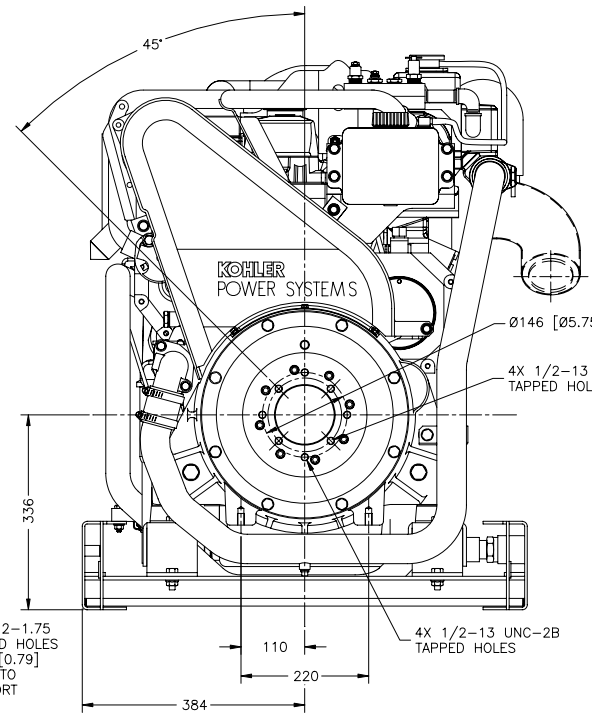
<small>UNLESS OTHERWISE SPECIFIED -          (1) DIMENSIONS ARE IN MILLIMETERS          (2) TOLERANCES ARE:          FRACTIONS SURFACE FINISH          ± .25 MAX.          ANGLES ±</small>		<b>KOHLER CO.</b> <small>POWER SYSTEMS, KOHLER, WI 53044 U.S.A.          THIS DRAWING IN DESIGN AND DETAIL IS KOHLER CO. PROPERTY AND          MUST NOT BE USED EXCEPT IN CONNECTION WITH KOHLER CO. WORK.          ALL RIGHTS OF DESIGN OR INVENTION ARE RESERVED.</small>	
<small>THIRD PARTY          PROJECTOR</small>		<b>DIMENSION PRINT</b>	
<small>APPROVALS</small> DRAWN: DDH 1-7-08 CHECKED: DDH 1-7-08 APPROVED: ALC 1-7-08	<small>DATE</small> DATE: 1-7-08 DATE: 1-7-08 DATE: 1-7-08	<small>SCALE</small> SCALE: .2X	<small>DWG NO.</small> DWG NO.: ADV7442.DWG
65/55EOZC 50/40EFOZC JOHN DEERE MARINE		<small>SHEET</small> SHEET: 2-4	<small>DWG NO.</small> DWG NO.: ADV-7442

8 | 7 | 6 | 5 | 4 | 3 | 2 | 1

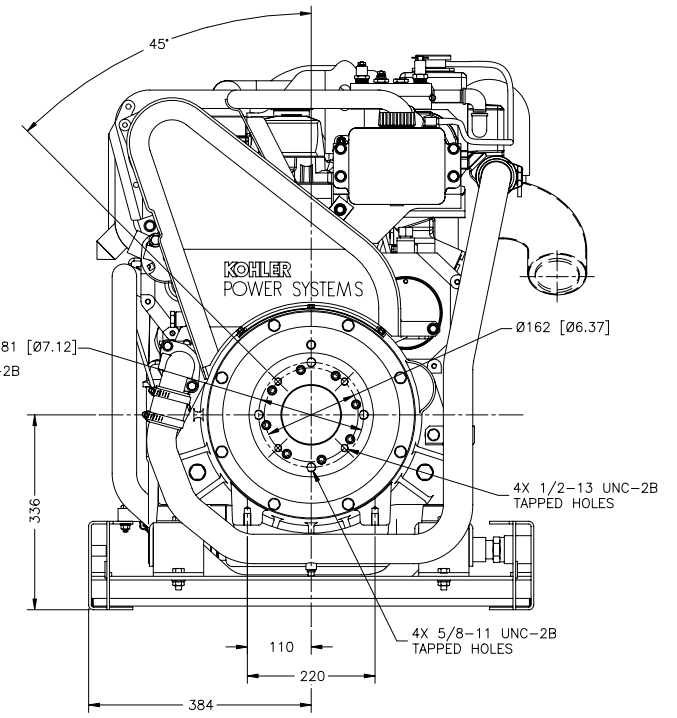
REV	DATE	REVISION	BY
-	1-7-08	NEW DRAWING [83784]	DDH



2X M12-1.75  
TAPPED HOLES  
± 20 [0.79]  
FOR PTO  
SUPPORT



ELECTRIC CLUTCH POWER TAKE-OFF  
SAE "B" SPLINED 2-4 BOLT HYDRAULIC PUMP MOUNTING



ELECTRIC CLUTCH POWER TAKE-OFF  
SAE "C" SPLINED 2-4 BOLT HYDRAULIC PUMP MOUNTING

METRIC CAD FILE

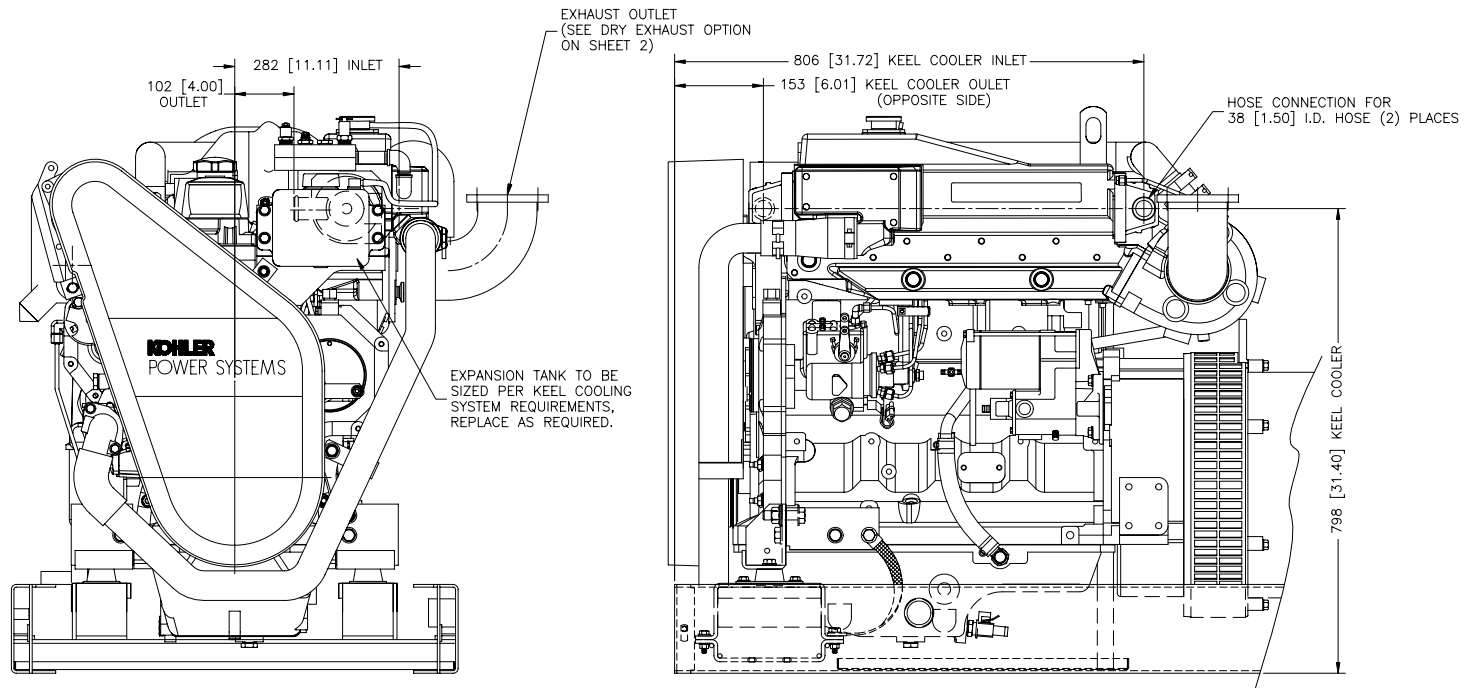
UNLESS OTHERWISE SPECIFIED -		SURFACE FINISH	
1) DIMENSIONS ARE IN MILLIMETERS		MAX. ±	
2) TOLERANCES ARE:		MIN.	
3.0X ±	0.125	0.25X	0.125
1.5X ±	0.075	0.125X	0.075
0.75X ±	0.050	0.075X	0.050
ANGLES ±		FILE	
HARD ANGLE		DIMENSION PRINT	
PRODUCTION		TITLE	
APPROVALS	DATE	POWER SYSTEMS, KOHLER, WI, 53044 U.S.A.	
DDH	1-7-08	THIS DRAWING, IN DESIGN AND DETAIL, IS KOHLER CO. PROPERTY AND	
DDH	1-7-08	MUST NOT BE USED EXCEPT IN CONNECTION WITH KOHLER CO. WORK.	
APPROVED	1-7-08	ALL RIGHTS OF DESIGN OR INVENTION ARE RESERVED.	
ALC	1-7-08	SCALE	0.25X
		DWG. NO.	ADV7442.DWG
		SHEET	3-4
		DRAWN BY	ADV-7442
		CHECKED BY	
		DATE	

65/55E0ZC  
50/40E0ZC  
JOHN DEERE MARINE

8 | 7 | 6 | 5 | 4 | 3 | 2 | 1

8 | 7 | 6 | 5 | 4 | 3 | 2 | 1

REV	DATE	REVISION	BY
-	1-7-08	NEW DRAWING [83784]	DDH



KEEL COOLING OPTION  
INCLUDES DRY EXHAUST SEE SHEET 2

METRIC CAD FILE

65/55E0ZC  
50/40E0ZC  
JOHN DEERE MARINE

UNLESS OTHERWISE SPECIFIED - 1) DIMENSIONS ARE IN MILLIMETERS 2) TOLERANCES ARE: XXX ± XX ± X ± ANGLES ±		SURFACE FINISH MAX. MIN.		<b>KOHLER CO.</b> POWER SYSTEMS, KOHLER, WI 53044 U.S.A. THIS DRAWING, IN DESIGN AND DETAIL, IS KOHLER CO. PROPERTY AND MUST NOT BE USED EXCEPT IN CONNECTION WITH KOHLER CO. WORK. ALL RIGHTS OF DESIGN OR INVENTION ARE RESERVED.	
APPROVALS		DATE		TITLE	
DDH	1-7-08	DDH	1-7-08	DIMENSION PRINT	
ALC	1-7-08	ALC	1-7-08	SCALE 25X	SHEET 4-4
DRAWN DATE				PLOTTED DATE	
				ADV-7442 D	

8 | 7 | 6 | 5 | 4 | 3 | 2 | 1