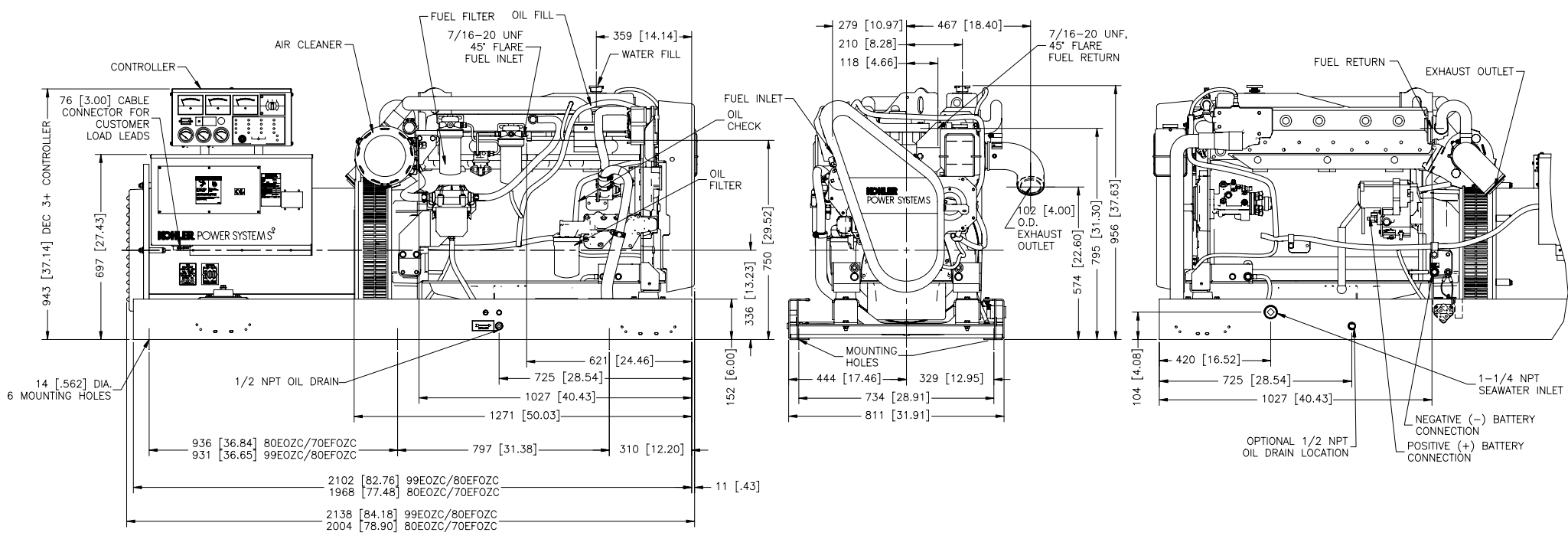


REV	DATE	REVISION	BY
-	1-7-08	NEW DRAWING [83784]	DDH

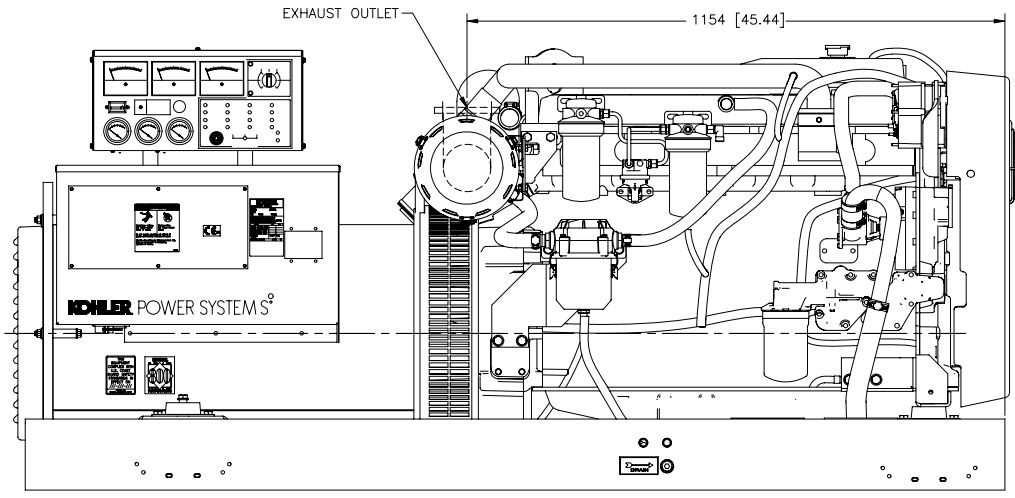
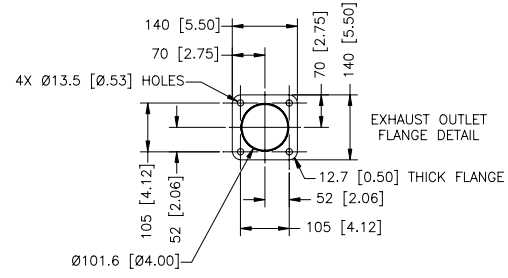


METRIC CAD FILE

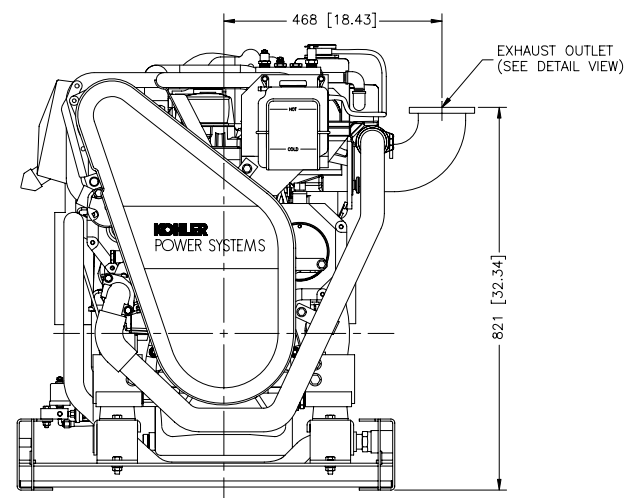
NOTE
DIMENSIONS IN [] ARE IN INCH EQUIVALENTS.

UNLESS OTHERWISE SPECIFIED - (1) DIMENSIONS ARE IN MILLIMETERS (2) TOLERANCES ARE: FRACTIONS SURFACE FINISH 1/16 ± MAX. 1/32 ± MAX. 1/64 ± MAX. ANGLES ± MAX. THIS DRAWING IS THE PROPERTY OF KOHLER CO. ALL RIGHTS OF DESIGN OR INVENTION ARE RESERVED.		KOHLER CO. POWER SYSTEMS, KOHLER, WI 53044 U.S.A. THIS DRAWING IS DESIGN AND DETAIL OF KOHLER CO. PROPERTY AND MUST BE USED ONLY IN CONNECTION WITH KOHLER CO. WORK.	
APPROVALS DRAWN DDH 1-7-08 CHECKED DDH 1-7-08 APPROVED ALC 1-7-08		DATE 1-7-08 1-7-08 1-7-08	
TITLE DIMENSION PRINT		SCALE 0.15X	DWG NO. ADV7443.DWG
PART NO. 80EOZC/70EFOZC 99EOZC/80EFOZC JOHN DEERE MARINE		SHEET 1-4	PLOT DATE ADV-7443

REV	DATE	REVISION	BY
-	1-7-08	NEW DRAWING [83784]	DDH



DRY EXHAUST ELBOW



NOTES
DIMENSIONS IN [] ARE IN INCH EQUIVALENTS.

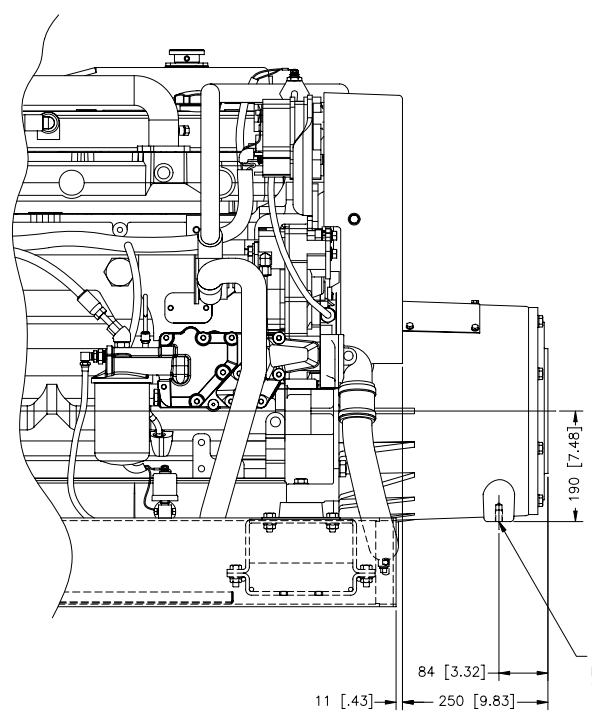
METRIC CAD FILE

UNLESS OTHERWISE SPECIFIED - 1) DIMENSIONS ARE IN MILLIMETERS 2) TOLERANCES ARE:		KOHLER CO. POWER SYSTEMS, KOHLER, WI 53044 U.S.A. THIS DRAWING IS DESIGN AND DETAIL IS KOHLER CO. PROPERTY AND MUST NOT BE USED EXCEPT IN CONNECTION WITH KOHLER CO. WORK. ALL RIGHTS OF DESIGN OR INVENTION ARE RESERVED.	
XXX ±	SURFACE FINISH	TITLE DIMENSION PRINT	
XX ±	✓ MAX.	SCALE	0.2X
XX ±	✓ MAX.	DWG. NO.	ADV-7443.DWG
ANGLES ±	✓ MAX.	SHEET	2-4
THIRD ANGLE PROJECTION		PLOTTED DATE	
APPROVALS	DATE	D	
DESIGN DDH	1-7-08		
CHECKED DDH	1-7-08		
APPROVED ALC	1-7-08		

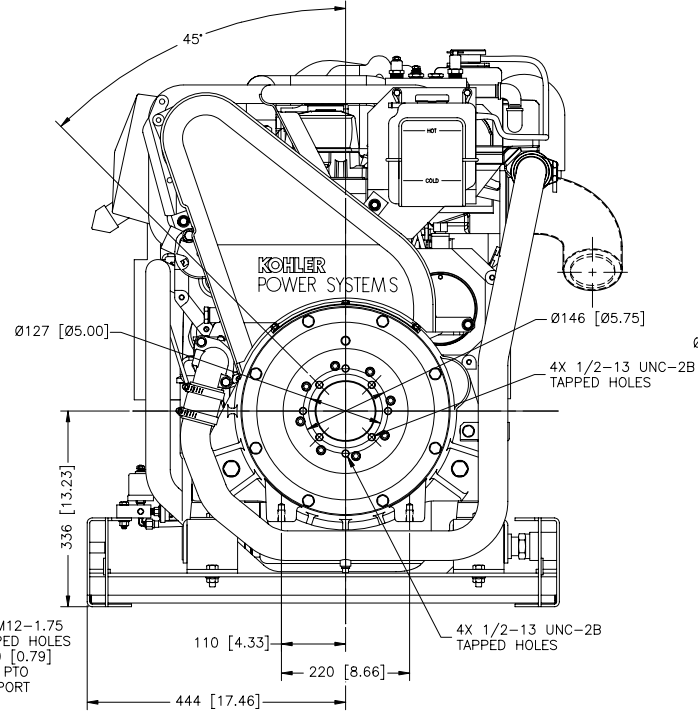
80EOZC/70EFOZC
99EOZC/80EFOZC
JOHN DEERE MARINE

8 7 6 5 4 3 2 1

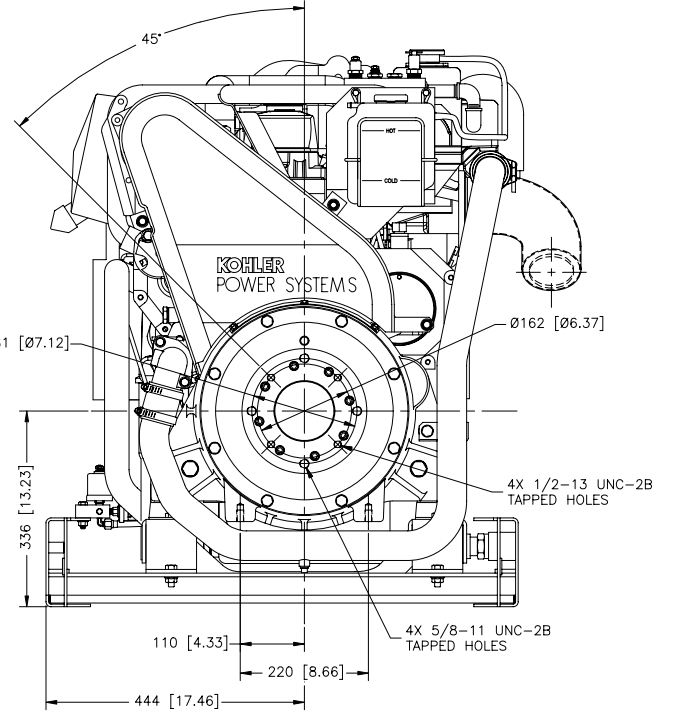
REV	DATE	REVISION	BY
-	1-7-08	NEW DRAWING [83784]	DDH



2X M12-1.75
TAPPED HOLES
± 20 [0.79]
FOR PTO
SUPPORT



ELECTRIC CLUTCH POWER TAKE-OFF
SAE "B" SPLINED 2-4 BOLT HYDRAULIC PUMP MOUNTING



ELECTRIC CLUTCH POWER TAKE-OFF
SAE "C" SPLINED 2-4 BOLT HYDRAULIC PUMP MOUNTING

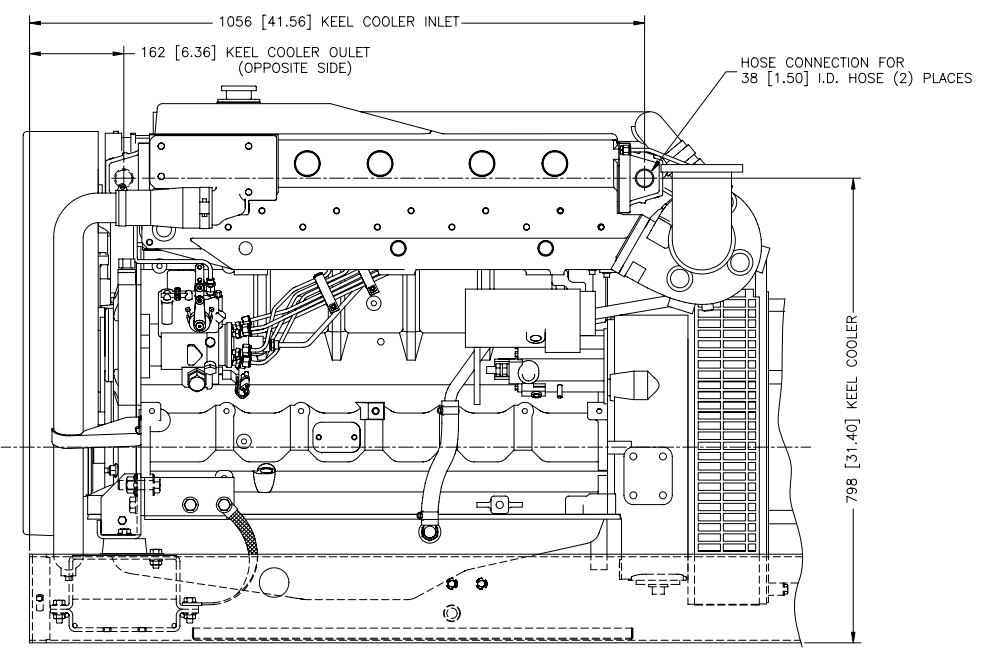
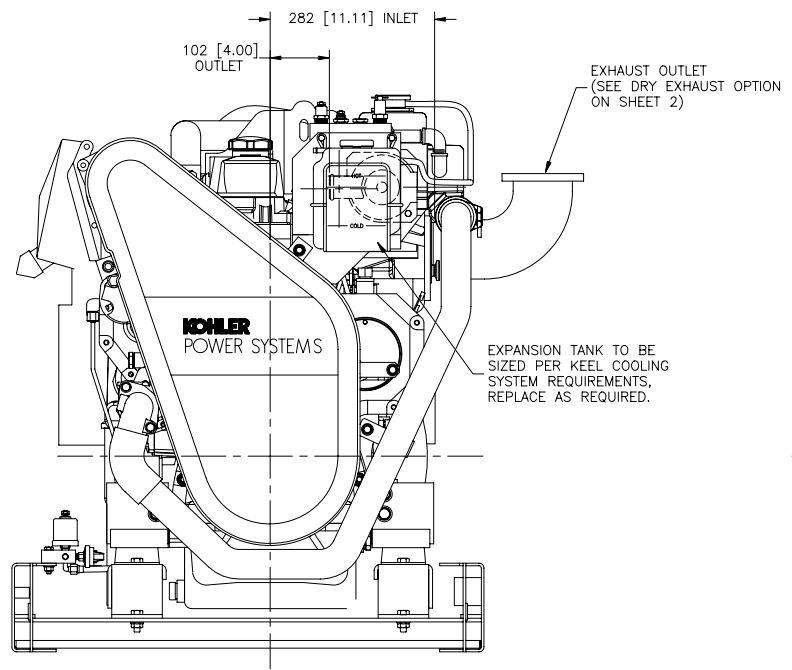
METRIC CAD FILE

80EOZC/70EFOZC
99EOZC/80EFOZC
JOHN DEERE MARINE

UNLESS OTHERWISE SPECIFIED - 1) DIMENSIONS ARE IN MILLIMETERS 2) TOLERANCES ARE: XXX ± XX ± X ± ANGLES ±		SURFACE FINISH ✓ MAX.		KOHLER CO. POWER SYSTEMS, KOHLER, WI 53044 U.S.A. THIS DRAWING, IN DESIGN AND DETAIL, IS KOHLER CO. PROPERTY AND MUST NOT BE USED EXCEPT IN CONNECTION WITH KOHLER CO. WORK. ALL RIGHTS OF DESIGN OR INVENTION ARE RESERVED.	
THIS HOLE POSITION		TITLE		DIMENSION PRINT	
APPROVALS	DATE	SCALE	DWG. NO.	SHEET	3-4
DDH	1-7-08	0.25X	ADV7443.DWG		
DDH	1-7-08				
ALC	1-7-08				
PLOTTED DATE		ADV-7443		D	

8 7 6 5 4 3 2 1

REV	DATE	REVISION	BY
-	1-7-08	NEW DRAWING [83784]	DDH



KEEL COOLER OPTION
INCLUDES DRY EXHAUST SEE SHEET 2

METRIC CAD FILE

80EOZC/70EFOZC
99EOZC/80EFOZC
JOHN DEERE MARINE

UNLESS OTHERWISE SPECIFIED - 1) DIMENSIONS ARE IN MILLIMETERS 2) TOLERANCES ARE: XXX ± XX ± X ± ANGLES ±		SURFACE FINISH MAX. MIN.	
THIRD ANGLE PROJECTION		TITLE	
APPROVALS		DATE	
DESIGNED BY	DDH	DATE	1-7-08
CHECKED BY	DDH	DATE	1-7-08
APPROVED BY	ALC	DATE	1-7-08
SCALE 0.25X		DRW. NO.	ADV7443.DWG
SHEET 4-4		D	

8 7 6 5 4 3 2 1