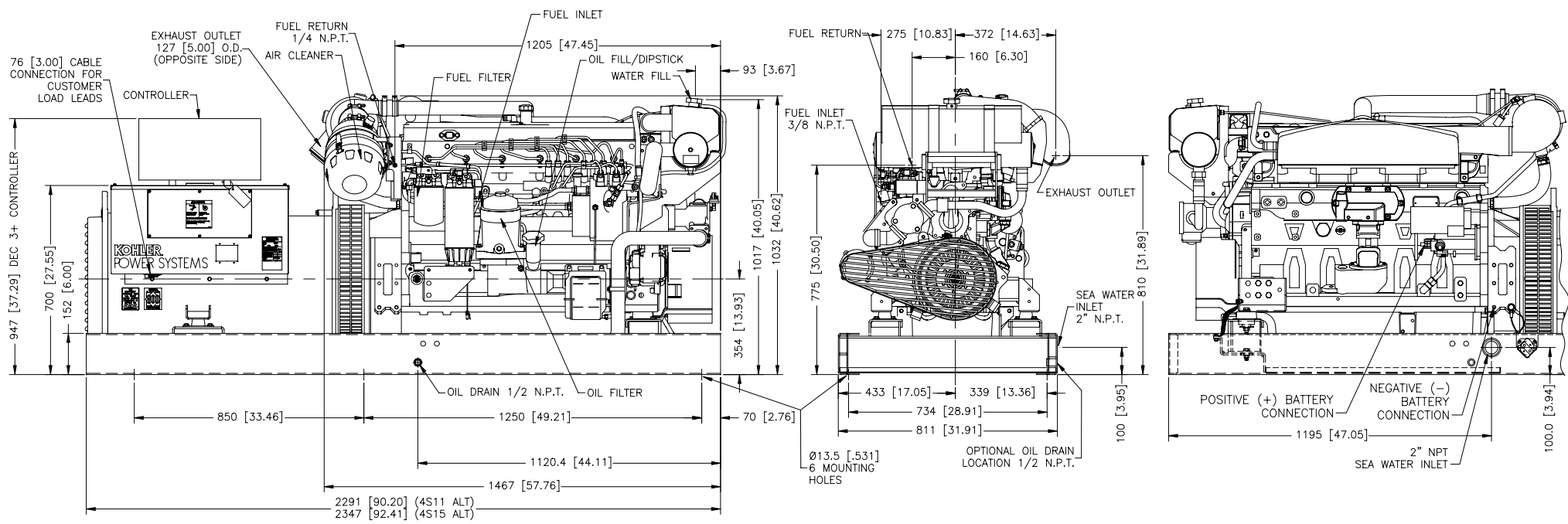


REV	DATE	REVISION	BY
-	1-7-08	NEW DRAWING (83784)	DDH



METRIC CAD FILE

DIMENSIONS IN [] ARE INCH EQUIVALENTS.

125 KW DRY WEIGHT - 1621 Kg. [3574 LBS.]
 WET WEIGHT - 1683 Kg. [3710 LBS.]

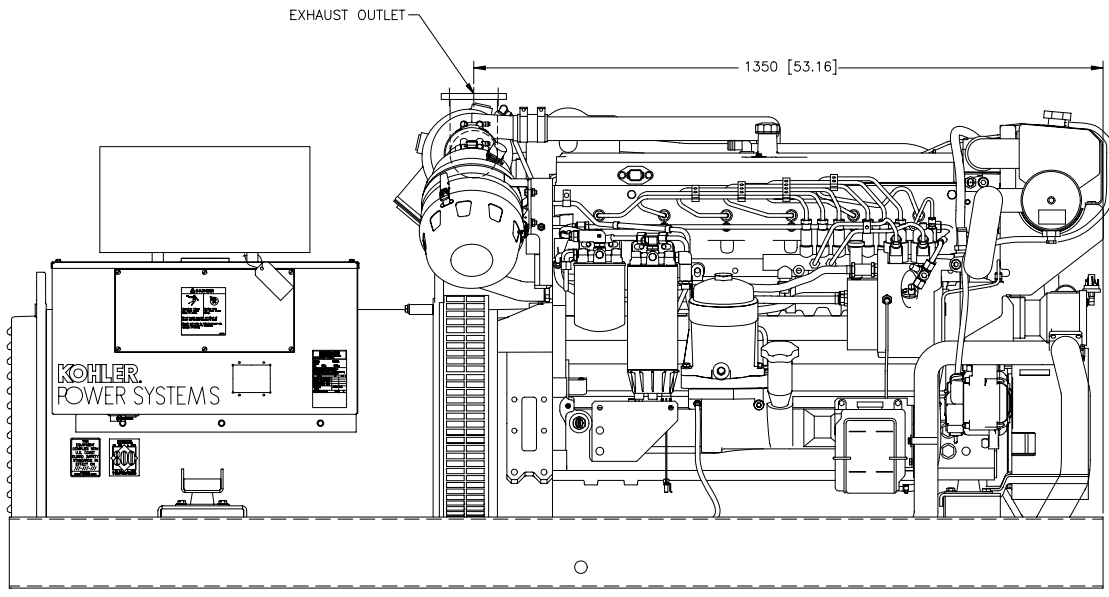
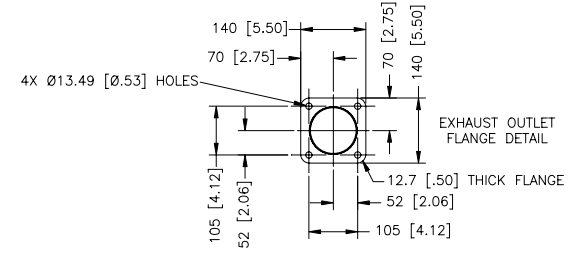
150 KW DRY WEIGHT - 1713 Kg. [3777 LBS.]
 WET WEIGHT - 1775 Kg. [3913 LBS.]

UNLESS OTHERWISE SPECIFIED - (1) DIMENSIONS ARE IN MILLIMETERS (2) TOLERANCES ARE: FRACTIONS SURFACE FINISH MAX. ✓ ANGLES ±		KOHLER CO. POWER SYSTEMS, KOHLER, WI. 53044 U.S.A. <small>THIS DRAWING, IN DESIGN AND DETAIL, IS KOHLER CO. PROPERTY AND MUST NOT BE USED EXCEPT IN CONNECTION WITH KOHLER CO. WORK. ALL RIGHTS OF DESIGN OR INVENTION ARE RESERVED.</small>	
THIRD ANGLE PROJECTION		TITLE DIMENSION PRINT	
APPROVALS DESIGNED: DDH CHECKED: DDH APPROVED: ALC	DATE 1-7-08 1-7-08 1-7-08	SCALE: 0.15 DWG. NO.: ADV7444.DWG PLOTTED DATE:	SHEET 1-3 D

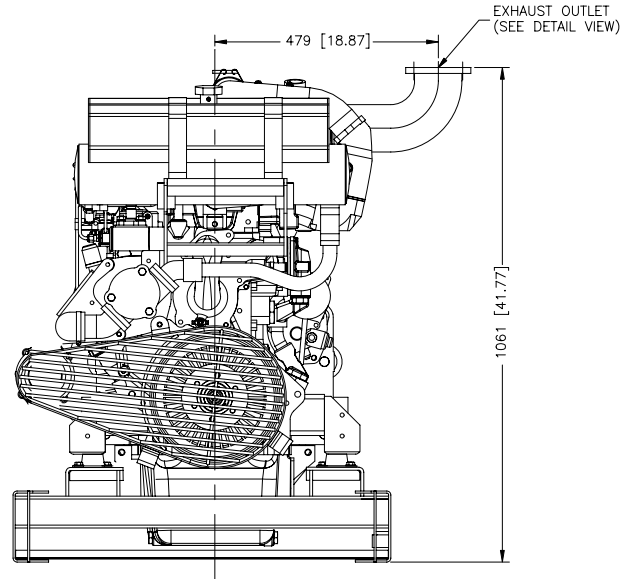
125EOZC/100EFOZC
 150EOZC/125EFOZC
 JOHN DEERE MARINE
 POWERTECH

8 7 6 5 4 3 2 1

REV	DATE	REVISION	BY
-	1-7-08	NEW DRAWING (83784)	DDH



DRY EXHAUST ELBOW



NOTE
DIMENSIONS IN [] ARE INCH EQUIVALENTS.

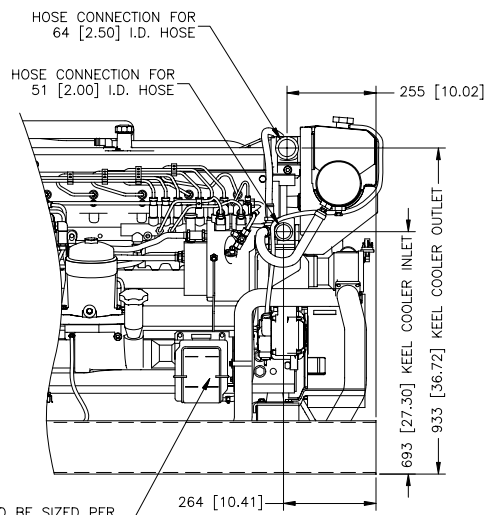
METRIC CAD FILE

UNLESS OTHERWISE SPECIFIED - 1) DIMENSIONS ARE IN MILLIMETERS 2) TOLERANCES ARE: K/L/X ± SURFACE FINISH K/L/X ± MAX. ANGLES ±		KOHLER CO. POWER SYSTEMS, KOHLER, WI 53044 U.S.A. THIS DRAWING, IN DESIGN AND DETAIL, IS KOHLER CO. PROPERTY AND MUST NOT BE USED EXCEPT IN CONNECTION WITH KOHLER CO. WORK. ALL PORTS OF DESIGN OR INVENTION ARE RESERVED.	
DIMENSION PRINT 125EOZC/100EFOZC 150EOZC/125EFOZC JOHN DEERE MARINE POWERTECH		TITLE DIMENSION PRINT	SHEET 2-3 D
APPROVALS DDH 1-7-08 DDH 1-7-08 ALC 1-7-08	DATE 1-7-08 1-7-08 1-7-08	SCALE 0.2 Dwg. No. ADV7444.DWG PLOTTED DATE	FILE

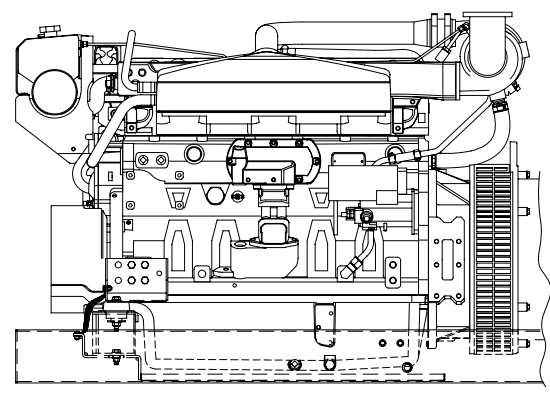
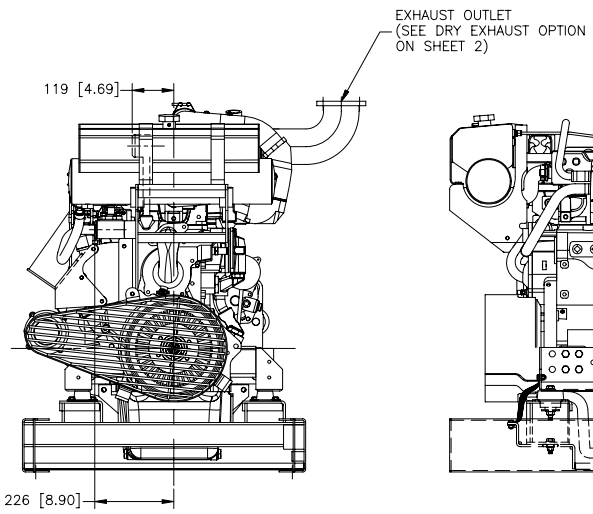
8 7 6 5 4 3 2 1

8 7 6 5 4 3 2 1

REV	DATE	REVISION	BY
-	1-7-08	NEW DRAWING (83784)	DDH



EXPANSION TANK TO BE SIZED PER KEEL COOLING SYSTEM REQUIREMENTS, REPLACE AS REQUIRED.



KEEL COOLING OPTION INCLUDES DRY EXHAUST SEE SHEET 2

NOTE DIMENSIONS IN [] ARE INCH EQUIVALENTS.

METRIC CAD FILE

125E0ZC/100EFOZC
150E0ZC/125EFOZC
JOHN DEERE MARINE
POWERTECH

UNLESS OTHERWISE SPECIFIED - 1) DIMENSIONS ARE IN MILLIMETERS 2) TOLERANCES ARE: FRACTION SURFACE FINISH MAX. ANGLE ±		KOHLER CO. POWER SYSTEMS, KOHLER, WI 53044 U.S.A. THIS DRAWING, IN DESIGN AND DETAIL, IS KOHLER CO. PROPERTY AND MUST NOT BE USED EXCEPT IN CONNECTION WITH KOHLER CO. WORK. ALL RIGHTS OF DESIGN OR INVENTION ARE RESERVED.	
THIRD ANGLE PROJECTION		TITLE DIMENSION PRINT	
APPROVALS	DATE	SCALE	SHEET
DDH	1-7-08	0.15	3-3
DDH	1-7-08	DWG. NO.	
ALC	1-7-08	ADV-7444	D

8 7 6 5 4 3 2 1