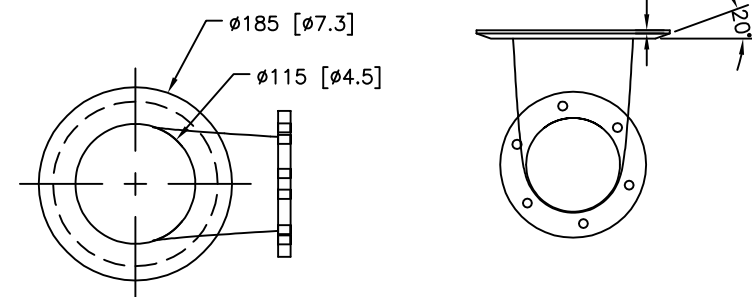
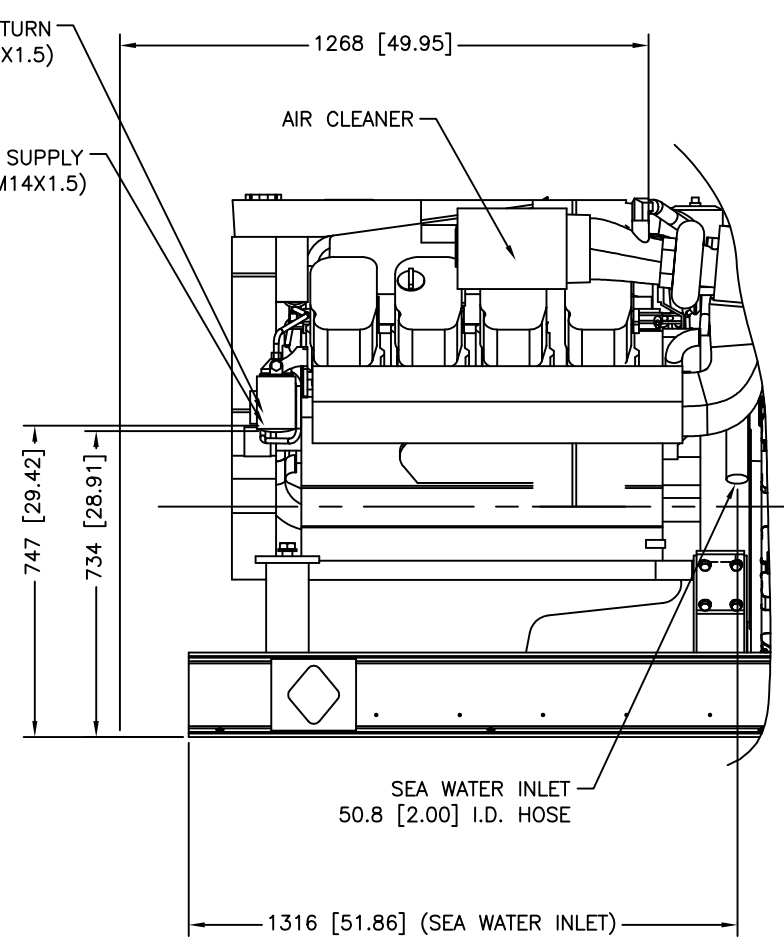
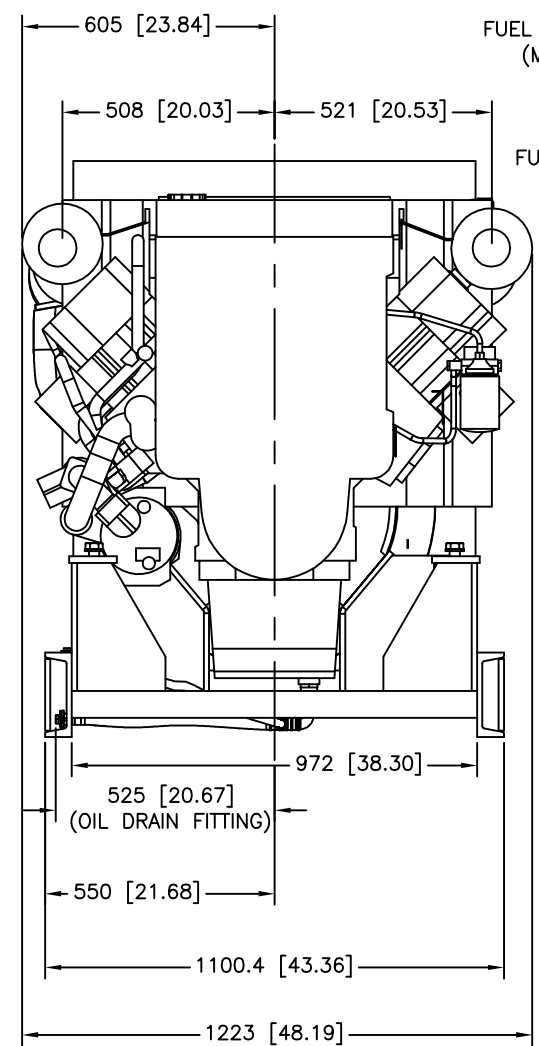
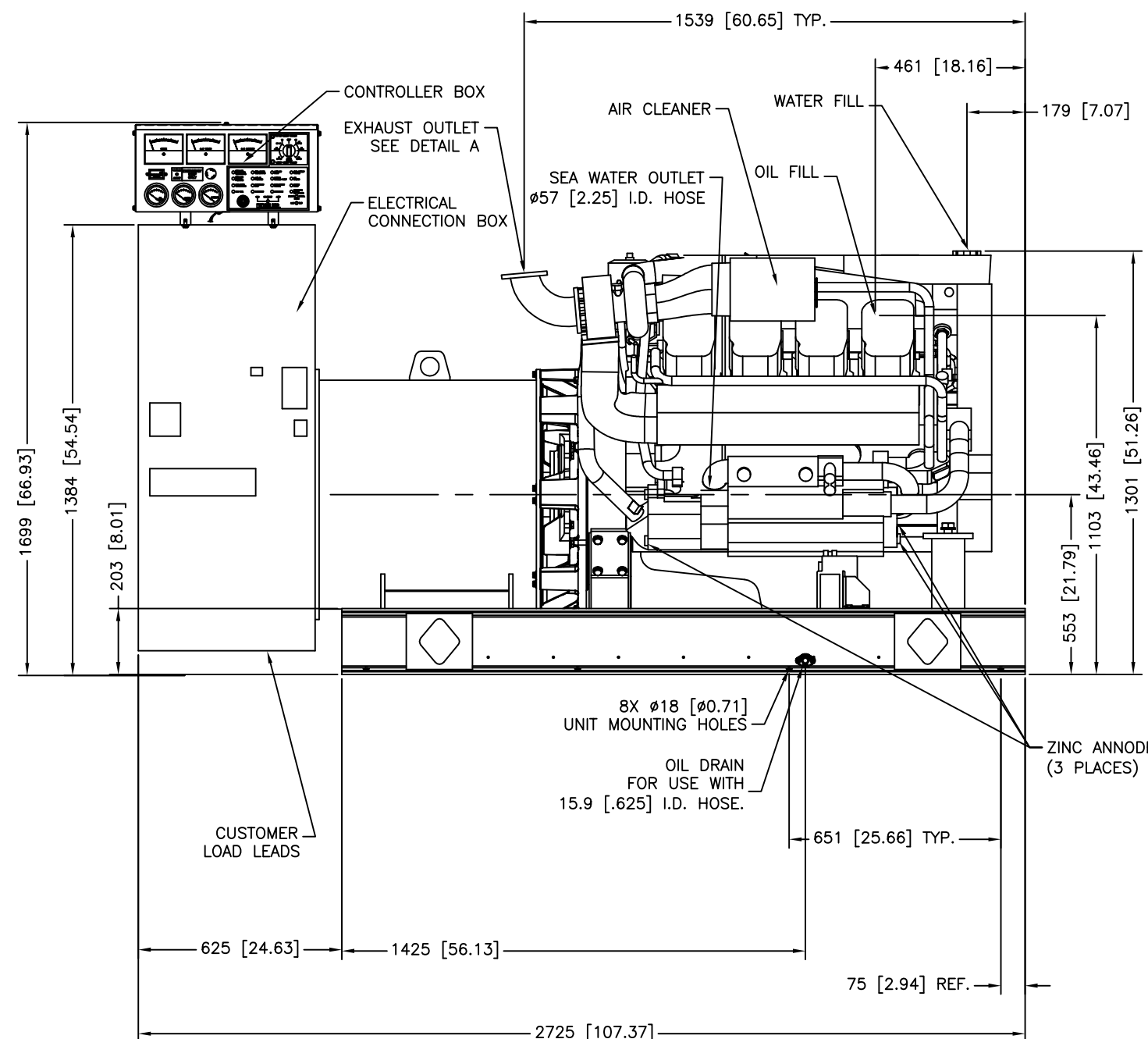


REV	DATE	REVISION	BY
-	5-7-08	NEW DRAWING [84146]	GMG
A	9-5-08	UPDATED EXHAUST OUTLET CONNECTION [84863]	GMG



DETAIL A
(2.5X SCALE)



DIMENSIONS IN [] ARE INCH EQUIVALENTS

METRIC CAD FILE

UNLESS OTHERWISE SPECIFIED -
 1) DIMENSIONS ARE IN MILLIMETERS
 2) TOLERANCES ARE:
 .XX ± 0.25
 .X ± 1.0
 X ± 1.5
 ANGLES ± 0'30"

THIRD ANGLE PROJECTION

APPROVALS: DRAWN: GMG, DATE: 5-7-08; CHECKED: RGH, DATE: 5-7-08; APPROVED: GMG, DATE: 5-7-08

KOHLER CO.
 POWER SYSTEMS, KOHLER, WI 53044 U.S.A.
 THIS DRAWING, IN DESIGN AND DETAIL, IS KOHLER CO. PROPERTY AND MUST NOT BE USED EXCEPT IN CONNECTION WITH KOHLER CO. WORK. ALL RIGHTS OF DESIGN OR INVENTION ARE RESERVED.

TITLE: DIMENSION PRINT
 SCANIA 500 KW MARINE

SCALE: 0.12X
 DWG. NO.: ADV7458.DWG
 SHEET: 1-1

500 KW
 SCANIA MARINE

ADV-7458