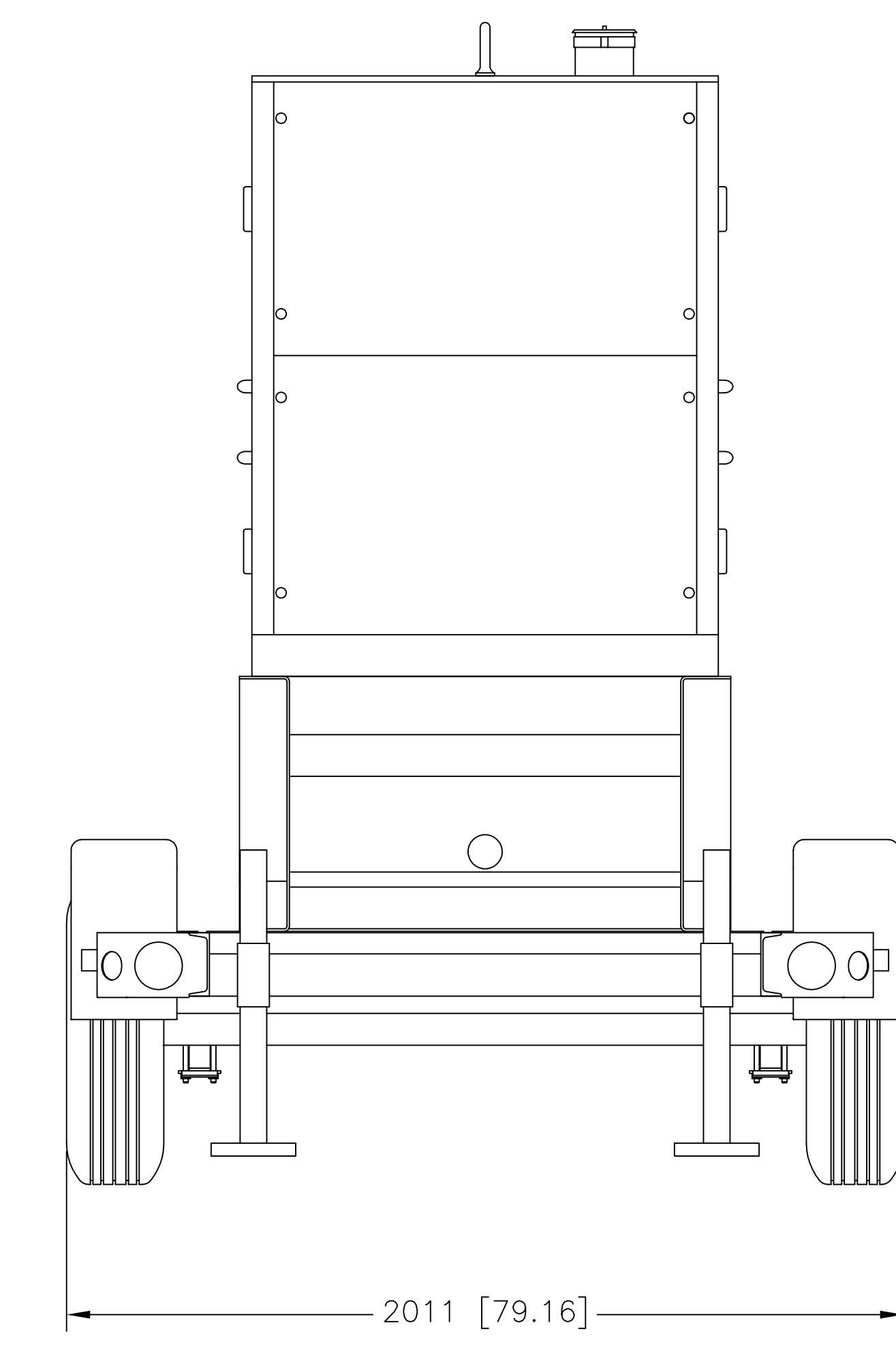
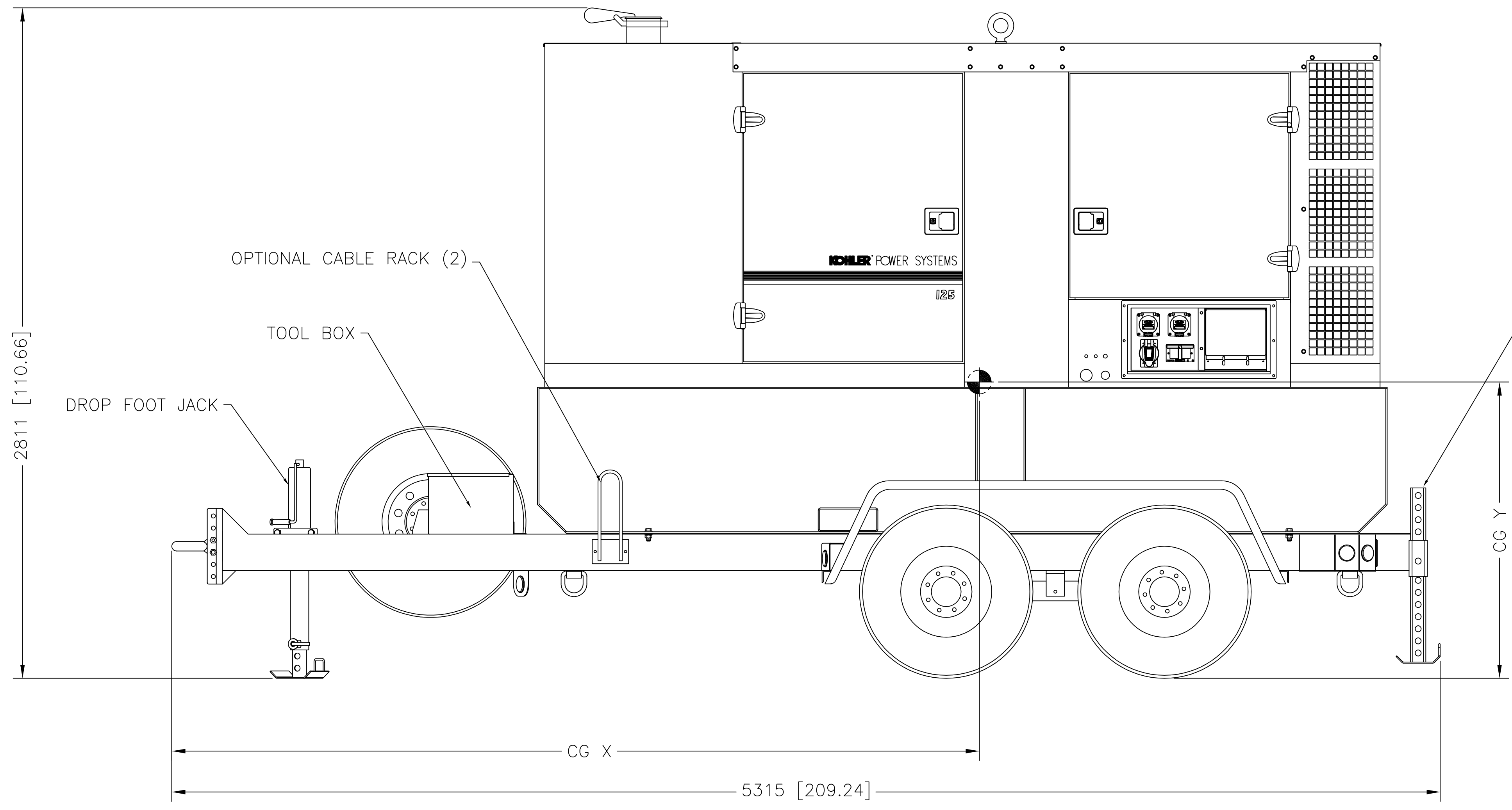
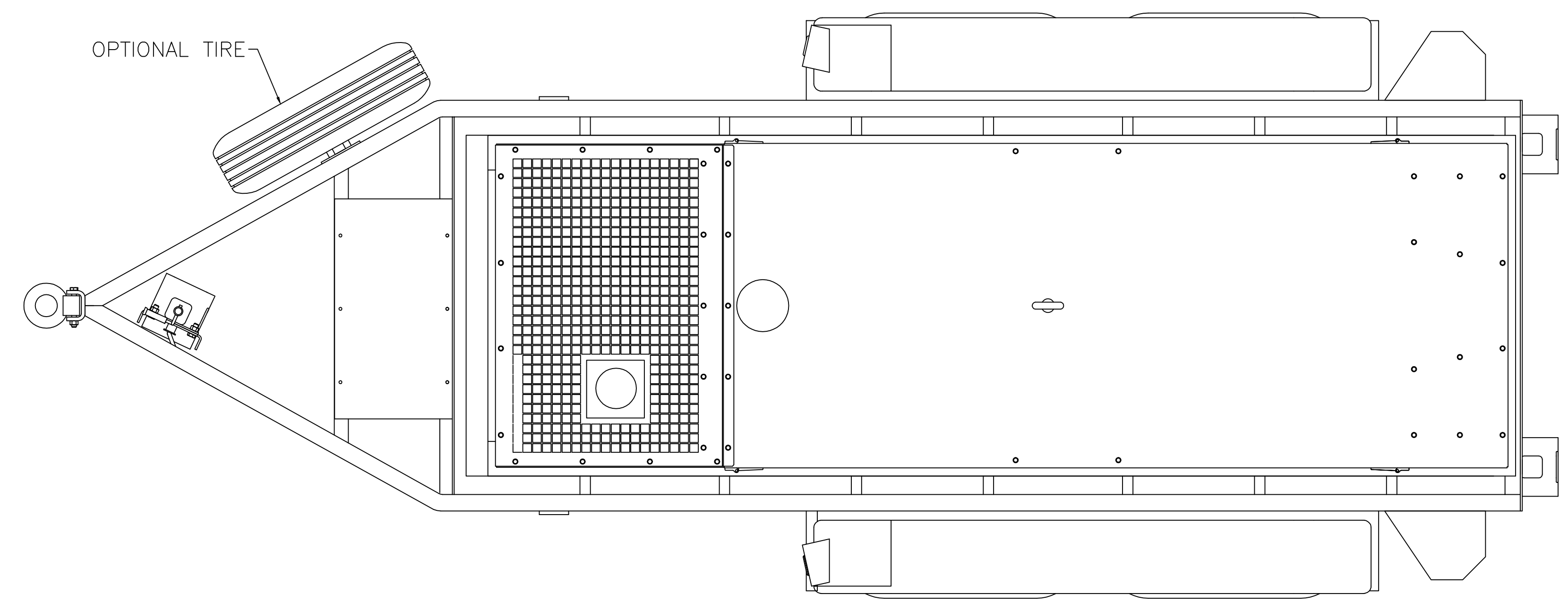


REV	DATE	REVISION	BY
-	4-23-08	NEW DRAWING [84898-2]	SAM
A	6-24-09	(A-8) CENTER OF GRAVITY UPDATED AND CHARTED [87948]	SAM



METRIC CAD FILE

CENTER OF GRAVITY DIMENSIONS		
MODEL	CG X	CG Y
125 KW	3383 [133.20]	1242 [48.91]
150 KW	3433 [135.16]	1245 [49.02]
200 KW	3361 [132.32]	1245 [49.02]

MODEL	WEIGHT WET	GVWR
125 KW	4621 KG [10,188 LBS]	5398 KG [11,900 LBS]
150 KW	4667 KG [10,289 LBS]	5398 KG [11,900 LBS]
200 KW	4757 KG [10,488 LBS]	5398 KG [11,900 LBS]

ALL DIMENSIONS IN [ ] ARE ENGLISH EQUIVALENTS

125-200 KW TOWABLE

UNLESS OTHERWISE SPECIFIED -  
 1) DIMENSIONS ARE IN MILLIMETERS  
 2) TOLERANCES ARE:  
 X.XX ± 0.25 SURFACE FINISH  
 X.X ± 1.0 MAX.  
 X ± 1.5  
 ANGLES ± 0.30°

THIRD ANGLE PROJECTION

**KOHLER CO.**  
 POWER SYSTEMS, KOHLER, WI 53044 U.S.A.  
 THIS DRAWING, IN DESIGN AND DETAIL, IS KOHLER CO. PROPERTY AND  
 MUST NOT BE USED EXCEPT IN CONNECTION WITH KOHLER CO. WORK.  
 ALL RIGHTS OF DESIGN OR INVENTION ARE RESERVED.

TITLE: **DIMENSION PRINT**

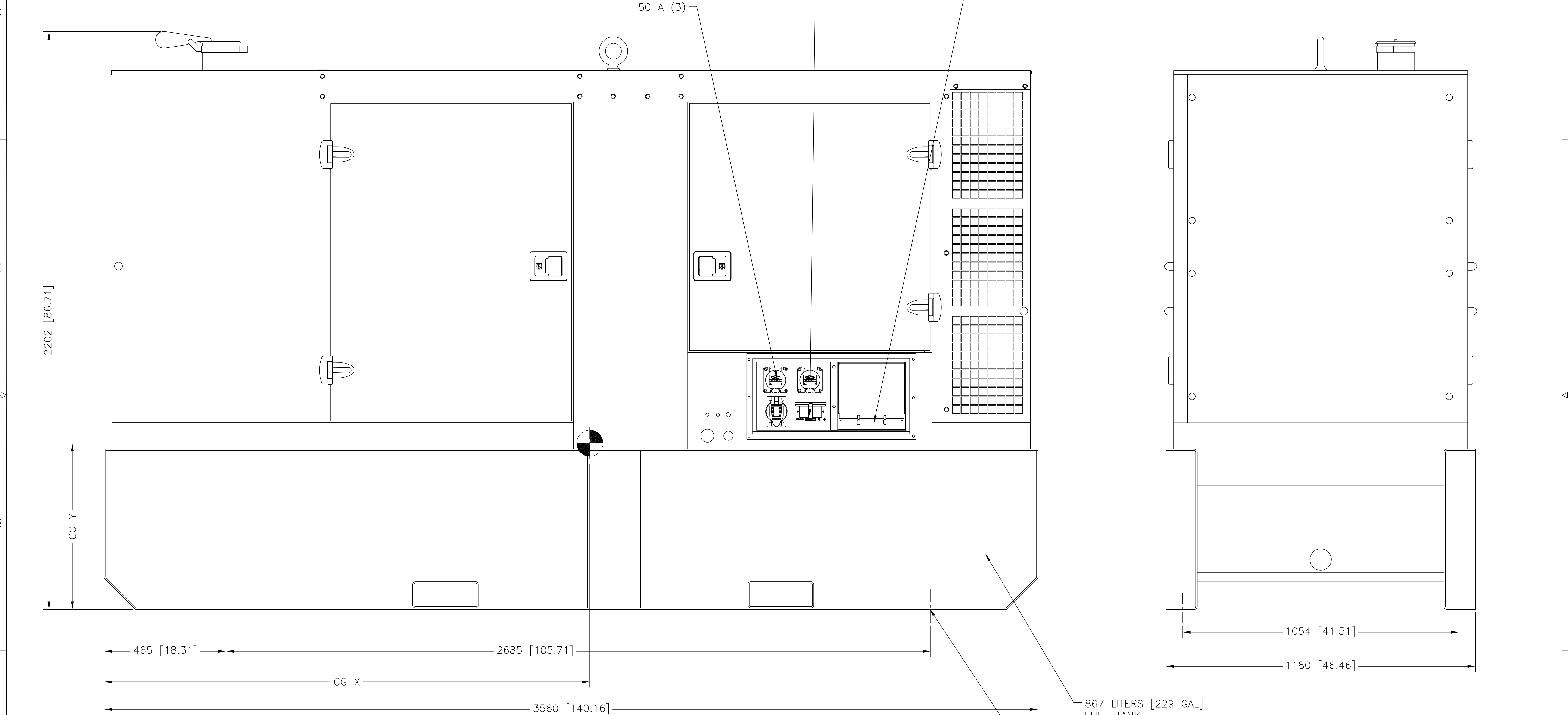
APPROVALS	DATE	SCALE	CAD NO.	SHEET
DRAWN SAM	4-23-08	_OBXP		1-2
CHECKED JMS	4-28-08	DWG. NO.		
APPROVED ALR	4-30-08			

PLOTTED DATE

ADV-7579 D

CENTER OF GRAVITY DIMENSIONS		
MODEL	CG X	CG Y
125 KW	1851 [72.87]	634 [24.96]
150 KW	1901 [74.84]	637 [25.08]
200 KW	1829 [72.00]	637 [25.08]

REV	DATE	REVISION	BY
-	4-23-08	NEW DRAWING [84898-2]	SAM
A	6-24-09	(D-8) CENTER OF GRAVITY UPDATED AND CHARTED [87948]	SAM



MODEL	WEIGHT DRY	WEIGHT WET
125 KW	2680 KG [5903 LBS]	3510 KG [7738 LBS]
150 KW	2730 KG [6519 LBS]	3560 KG [7848 LBS]
200 KW	2850 KG [6504 LBS]	3780 KG [8334 LBS]

ALL DIMENSIONS IN [ ] ARE ENGLISH EQUIVALENTS

METRIC CAD FILE

UNLESS OTHERWISE SPECIFIED -  
 1) DIMENSIONS ARE IN MILLIMETERS  
 2) TOLERANCES ARE:  
 X.XX ± 0.25 SURFACE FINISH  
 X.X ± 1.0 ✓ MAX.  
 X ± 1.5  
 ANGLES ± 0°30'

**KOHLER CO.**  
 POWER SYSTEMS, KOHLER, WI 53044 U.S.A.  
 THIS DRAWING, IN DESIGN AND DETAIL, IS KOHLER CO. PROPERTY AND  
 MUST NOT BE USED EXCEPT IN CONNECTION WITH KOHLER CO. WORK.  
 ALL RIGHTS OF DESIGN OR INVENTION ARE RESERVED.

THIRD ANGLE PROJECTION

APPROVALS	DATE	SCALE	CAD NO.	SHEET
DRAWN SAM	4-23-08	-1XP		2-2
CHECKED JMS	4-28-08			
APPROVED AJR	4-30-08			

TITLE: DIMENSION PRINT  
 DWG. NO.: ADV-7579  
 PLOTTED DATE:

125-200 KW TOWABLE