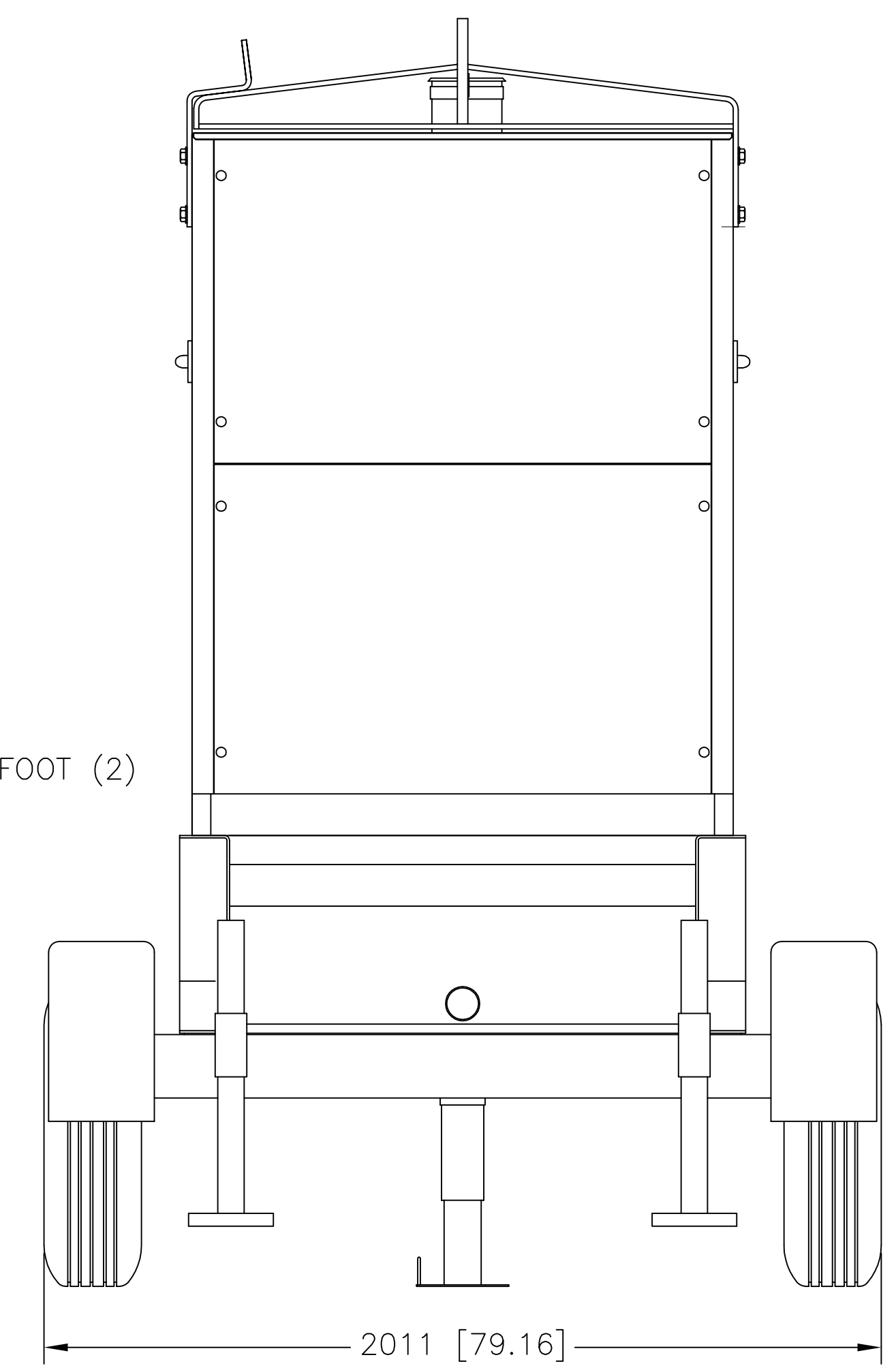
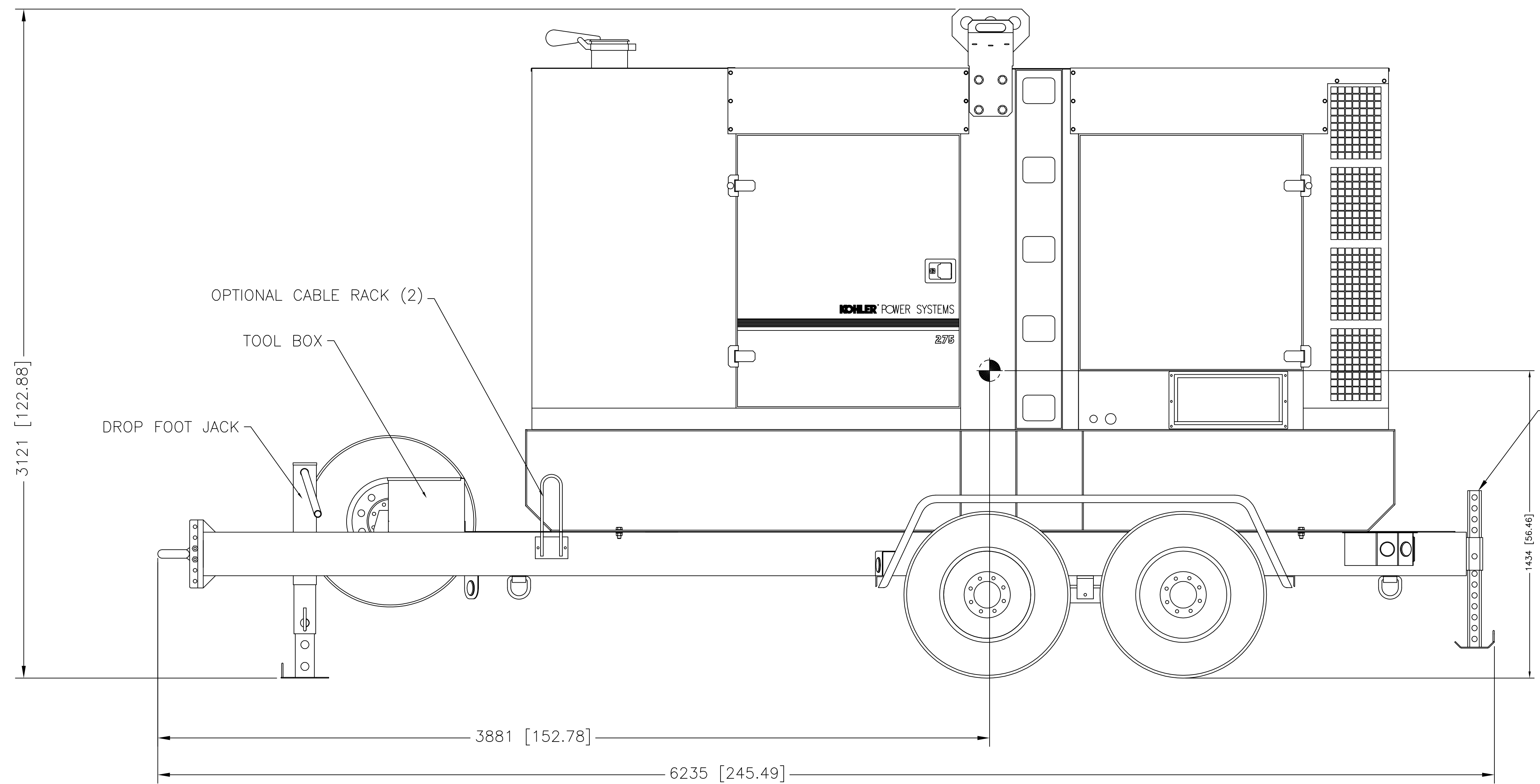
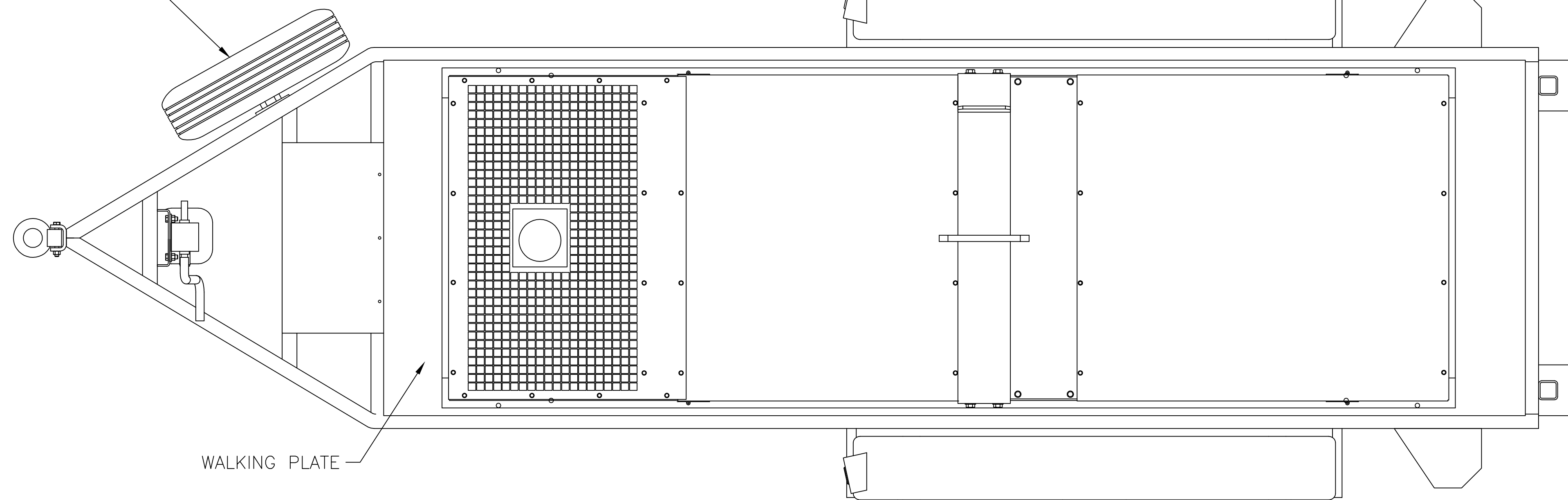


REV	DATE	REVISION	BY
-	4-23-08	NEW DRAWING [84898-2]	SAM

OPTIONAL SPARE TIRE



METRIC CAD FILE

WEIGHT WET	GVWR
6607 KG [14,567 LBS]	8528 KG [18,800 LBS]

ALL DIMENSIONS IN [ ] ARE ENGLISH EQUIVALENTS

UNLESS OTHERWISE SPECIFIED -  
 1) DIMENSIONS ARE IN MILLIMETERS  
 2) TOLERANCES ARE:  
 X.XX ± 0.25 SURFACE FINISH  
 X.X ± 1.0 MAX.  
 X ± 1.5  
 ANGLES ± 0.30°

THIRD ANGLE PROJECTION

**KOHLER CO.**  
 POWER SYSTEMS, KOHLER, WI 53044 U.S.A.  
 THIS DRAWING, IN DESIGN AND DETAIL, IS KOHLER CO. PROPERTY AND  
 MUST NOT BE USED EXCEPT IN CONNECTION WITH KOHLER CO. WORK.  
 ALL RIGHTS OF DESIGN OR INVENTION ARE RESERVED.

TITLE: **DIMENSION PRINT**

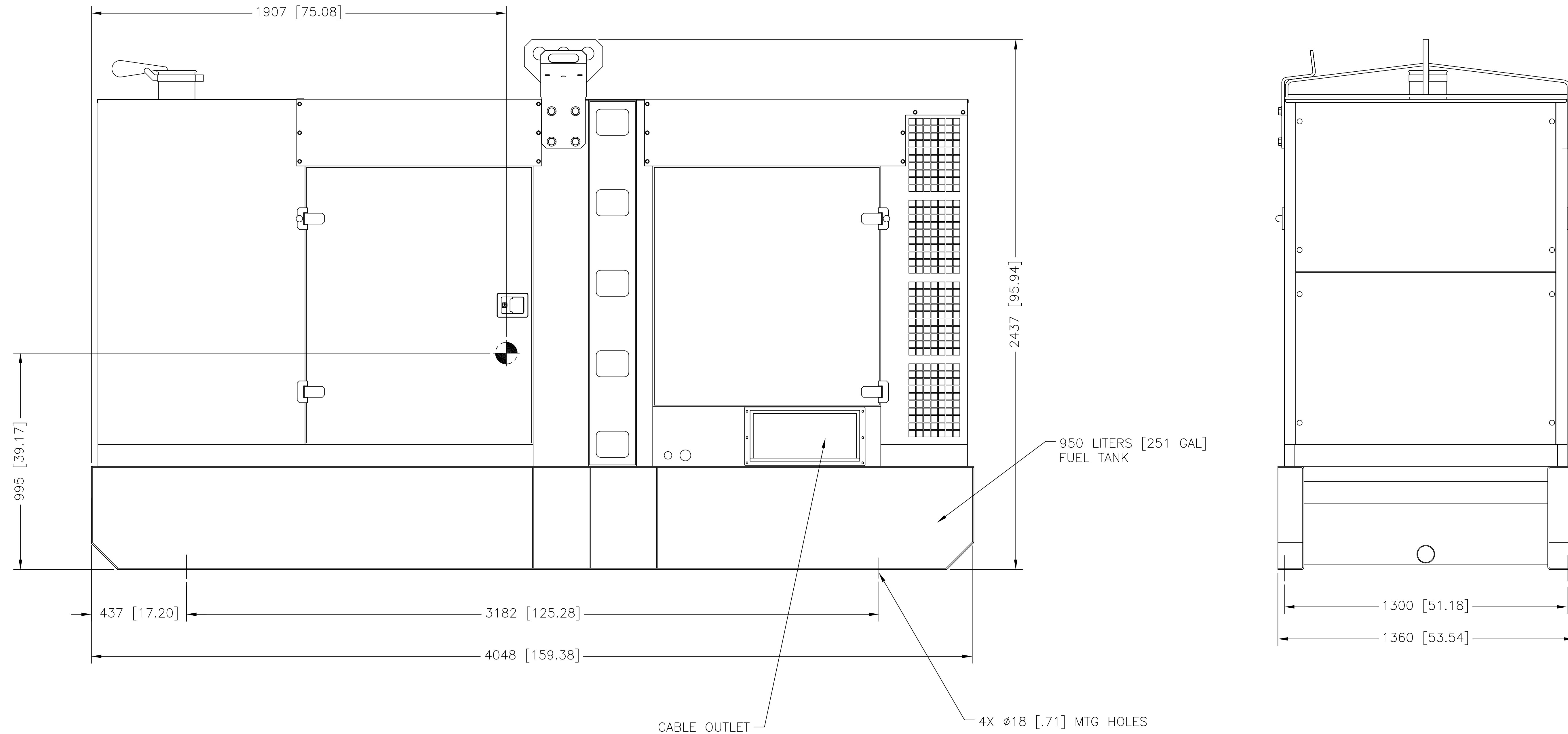
APPROVALS	DATE	SCALE	CAD NO.	SHEET
DRAWN SAM	4-23-08	.1XP		1-2
CHECKED JMS	4-28-08			
APPROVED ALR	4-30-08			

DWG. NO. **ADV-7580**

PLOTTED DATE

275 KW TOWABLE

REV	DATE	REVISION	BY
-	4-23-08	NEW DRAWING [84898-2]	SAM



ALL DIMENSIONS IN [ ] ARE ENGLISH EQUIVALENTS

METRIC CAD FILE

WEIGHT DRY	WEIGHT WET
4110 KG [9061 LBS]	5020 KG [11,067 LBS]

UNLESS OTHERWISE SPECIFIED - 1) DIMENSIONS ARE IN MILLIMETERS 2) TOLERANCES ARE: X.XX ± 0.25 X.X ± 1.0 X ± 1.5 ANGLES ± 0°30'		SURFACE FINISH ✓ MAX.		<b>KOHLER CO.</b> POWER SYSTEMS, KOHLER, WI 53044 U.S.A. THIS DRAWING, IN DESIGN AND DETAIL, IS KOHLER CO. PROPERTY AND MUST NOT BE USED EXCEPT IN CONNECTION WITH KOHLER CO. WORK. ALL RIGHTS OF DESIGN OR INVENTION ARE RESERVED.	
THIRD ANGLE PROJECTION		TITLE DIMENSION PRINT		SCALE .1XP	
APPROVALS	DATE	CAD NO.	SHEET	2-2	
DRAWN SAM	4-23-08				
CHECKED JMS	4-28-08				
APPROVED AJR	4-30-08				
DRAWING NO.		ADV-7580		PLOTTED DATE	

275 KW TOWABLE