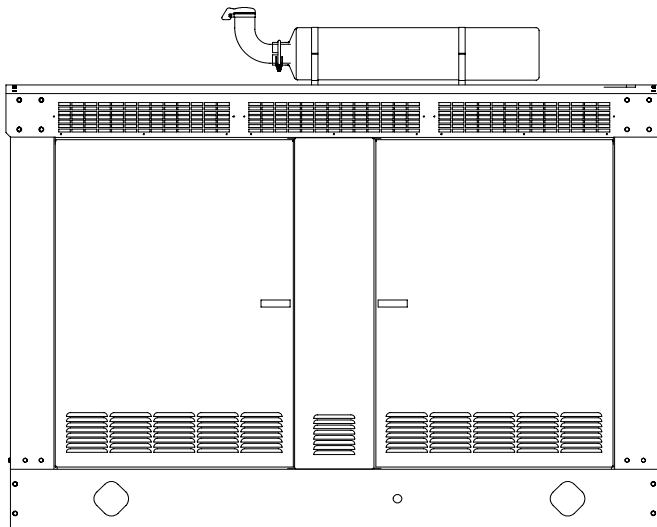




**Applicable to the following:
30-125RZG and 25/30/50/150RZGB**

Kohler® weather housings protect stationary generator sets from the elements, animal intrusion, and unwanted entry. The weather housing design allows ample air flow ensuring full generator set performance.

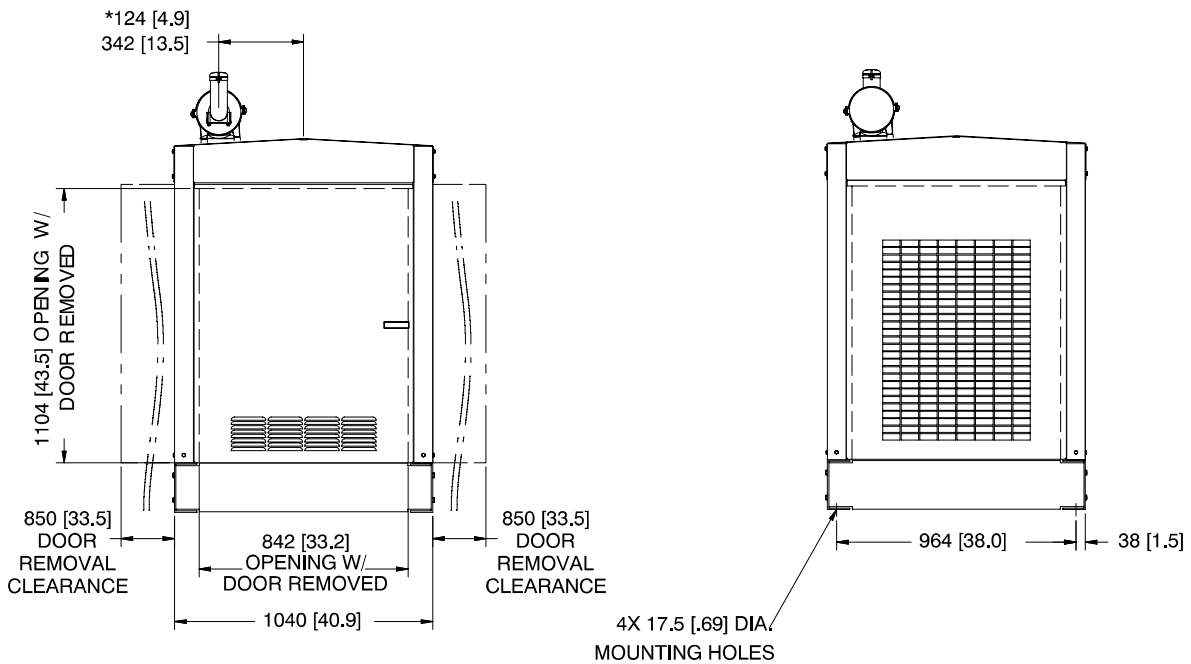
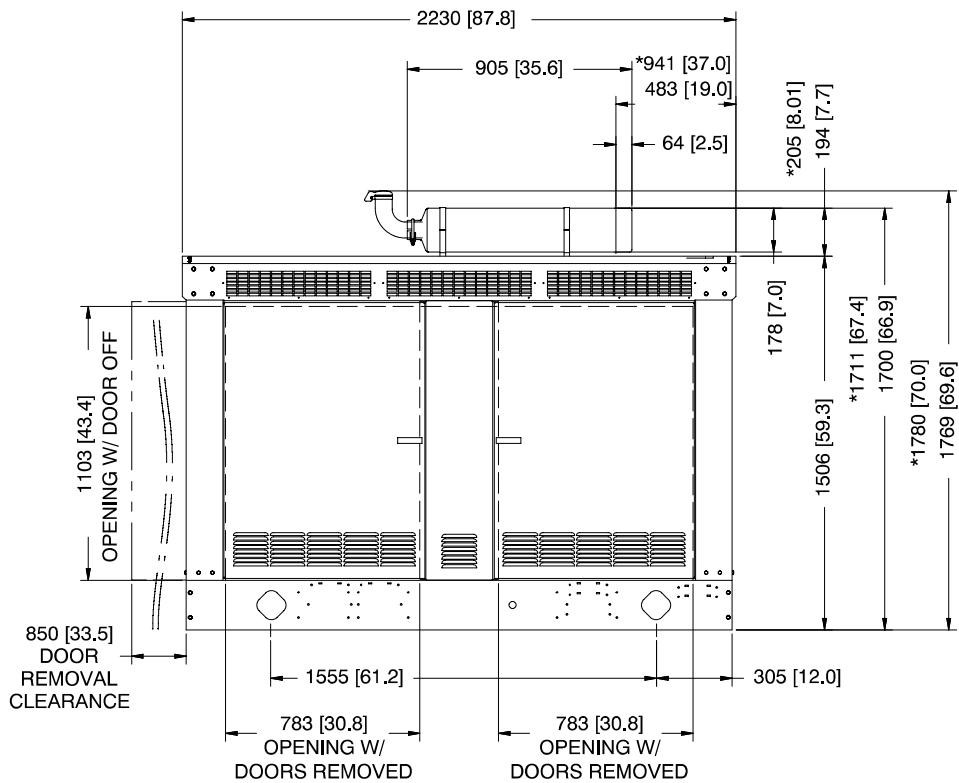


Standard Features

- Critical silencer with mounting, tailpipe and rain cap, and skid end caps.
- Skid-mounted, corrosion-resistant housing and doors.
- Corrosion-resistant doors with stainless steel hinges for easy removal.
- Fade, scratch, and corrosion-resistant Kohler® cream beige housing with black doors.
- Lockable, flush-mounted door latches.
- Louvers on air inlets minimize rain and snow entry.
- Prototype testing of generator set with weather housing ensures no loss of generator set performance.

Weather Housing Weights

Model	Alternator	Generator Set Weight (Wet) with Housing, kg (lb.)	Housing Only Weight, kg (lb.)
25B	All	736 (1620)	227 (500)
30B	4P5W/4P5	759 (1670)	
	4P7BW/4P7B	800 (1760)	
30	All	788 (1734)	
35	All	798 (1756)	
45	4P7BW/4P7B	828 (1822)	
	4P8W/4P8/4Q10W/4Q10	848 (1866)	
50B	All	939 (2065)	
60	4P10W/4P10	989 (2175)	
	4S7W/4S7/4V7W/4V7	1039 (2285)	
80	All	1341 (2950)	239 (525)
100	All		
125	All	1371 (3017)	336 (740)
150B	All	1764 (3890)	



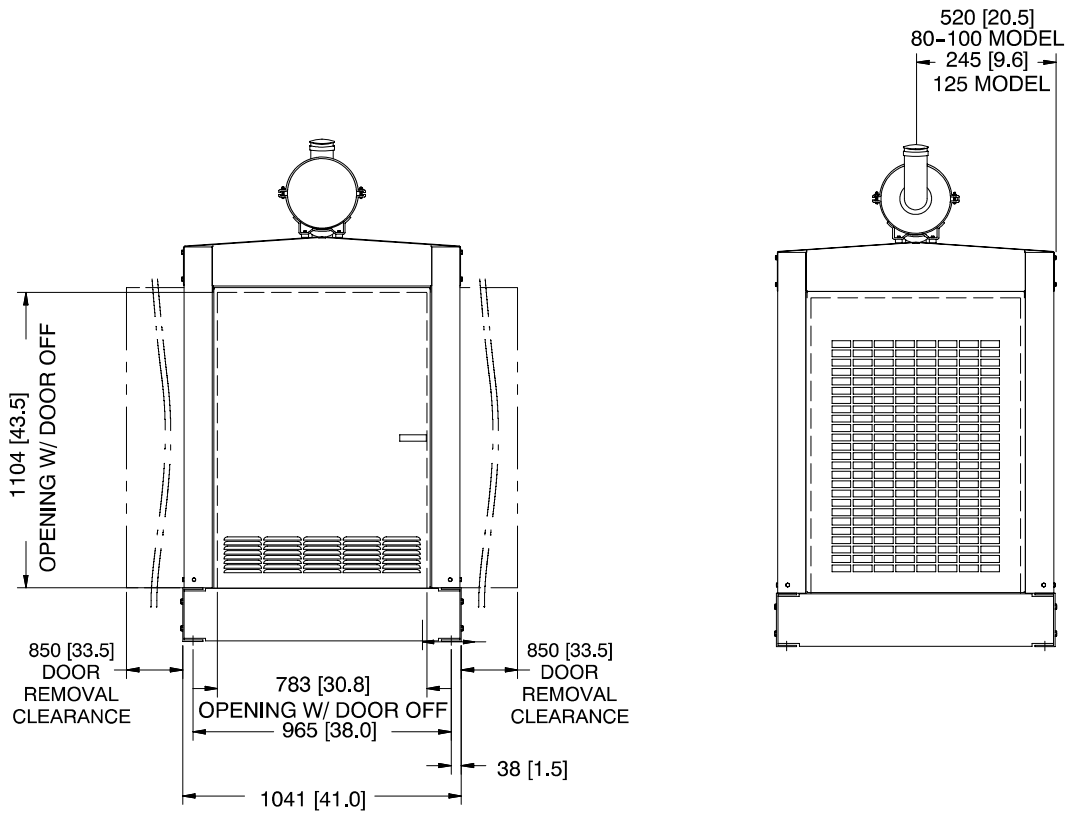
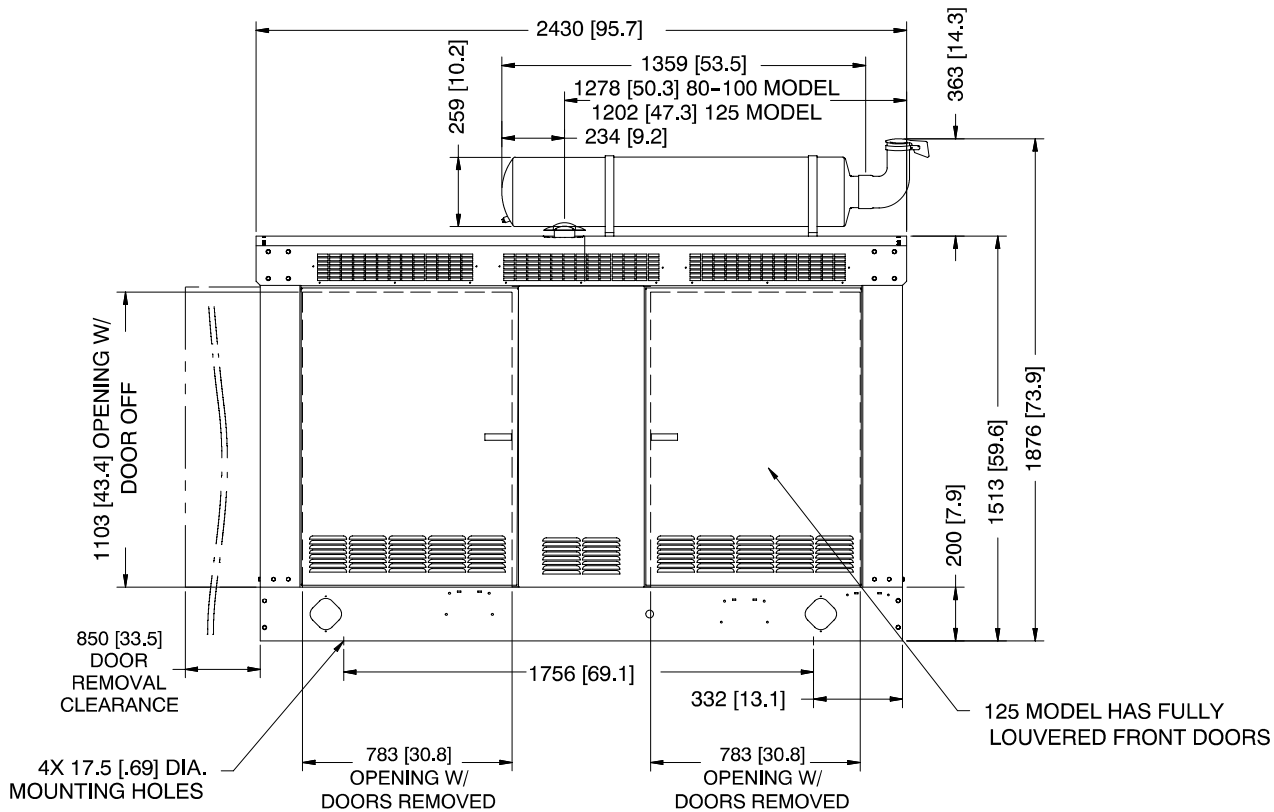
4X 17.5 [.69] DIA.
MOUNTING HOLES

* Asterisk denotes 25 kW and 30 kW Model 3.0 L Engine Only

Dimensions: mm [in.]

30-60RZG and 25/30/50RZGB

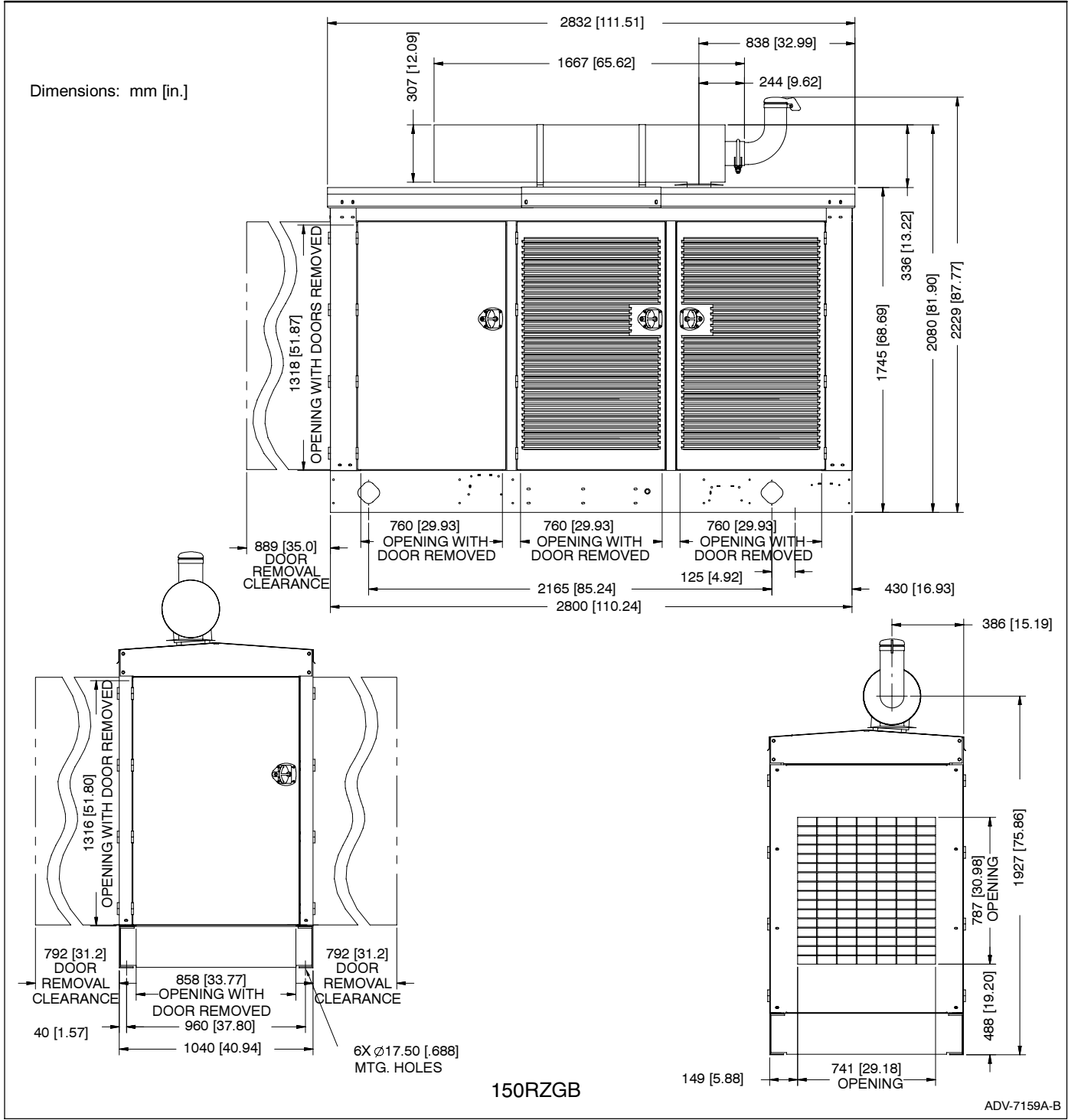
ADV-6656A-K



Dimensions: mm [in.]

80-125RZG

ADV-6655A-H



DISTRIBUTED BY:

Availability is subject to change without notice. Kohler Co. reserves the right to change the design or specifications without notice and without any obligation or liability whatsoever. Contact your local Kohler® generator set distributor for availability.