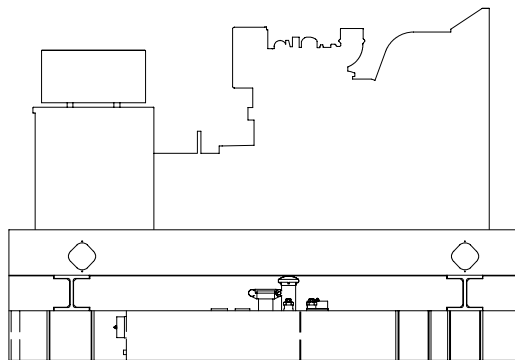
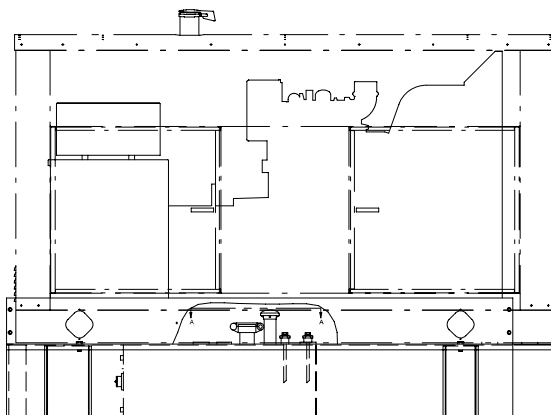


Double-Wall Subbase Tank, Type 1



Double-Wall Subbase Tank, Type 2



**Double-Wall Subbase Tank
with Available Weather Enclosure Accessory**

Double-Wall Subbase Fuel Tanks

Applicable to the following:

- 20ROZJB**
- 20-230REOZJB**
- 80-200REOZJC**
- 80-275REOZJD**

Secondary Containment (SC) Tank

- The above-ground rectangular secondary containment tank mounts directly to the generator set, below the generator set skid (subbase).
- The secondary containment generator set base tank meets UL 142 requirements.
- Both the inner and outer tanks have emergency relief vents.
- The containment tank's double-wall construction protects against fuel leaks or ruptures. The inner (primary) tank is sealed inside the outer (secondary) tank. The outer tank contains the fuel if the inner tank leaks or ruptures.
- The generator set is designed to comply with the installation standards of NFPA 30 and NFPA 37.

Standard Features

- Heavy-gauge construction
- Integral stub-up area
- Removable end channel for easy access to stub-up area
- Emergency pressure-relief vent inner and outer tanks
- Lockable fill cap and riser, 2 in. NPT
- Low fuel level switch for controller alarm (optional with Decision-Maker™ 1 controller)
- Mechanical fuel gauge
- Normal vent with riser and mushroom cap
- Fuel supply and fuel return openings
- Basin drain
- Float fitting for pump control for fuel transfer system model
- Overflow opening for fuel transfer system model

Fuel Tank Features

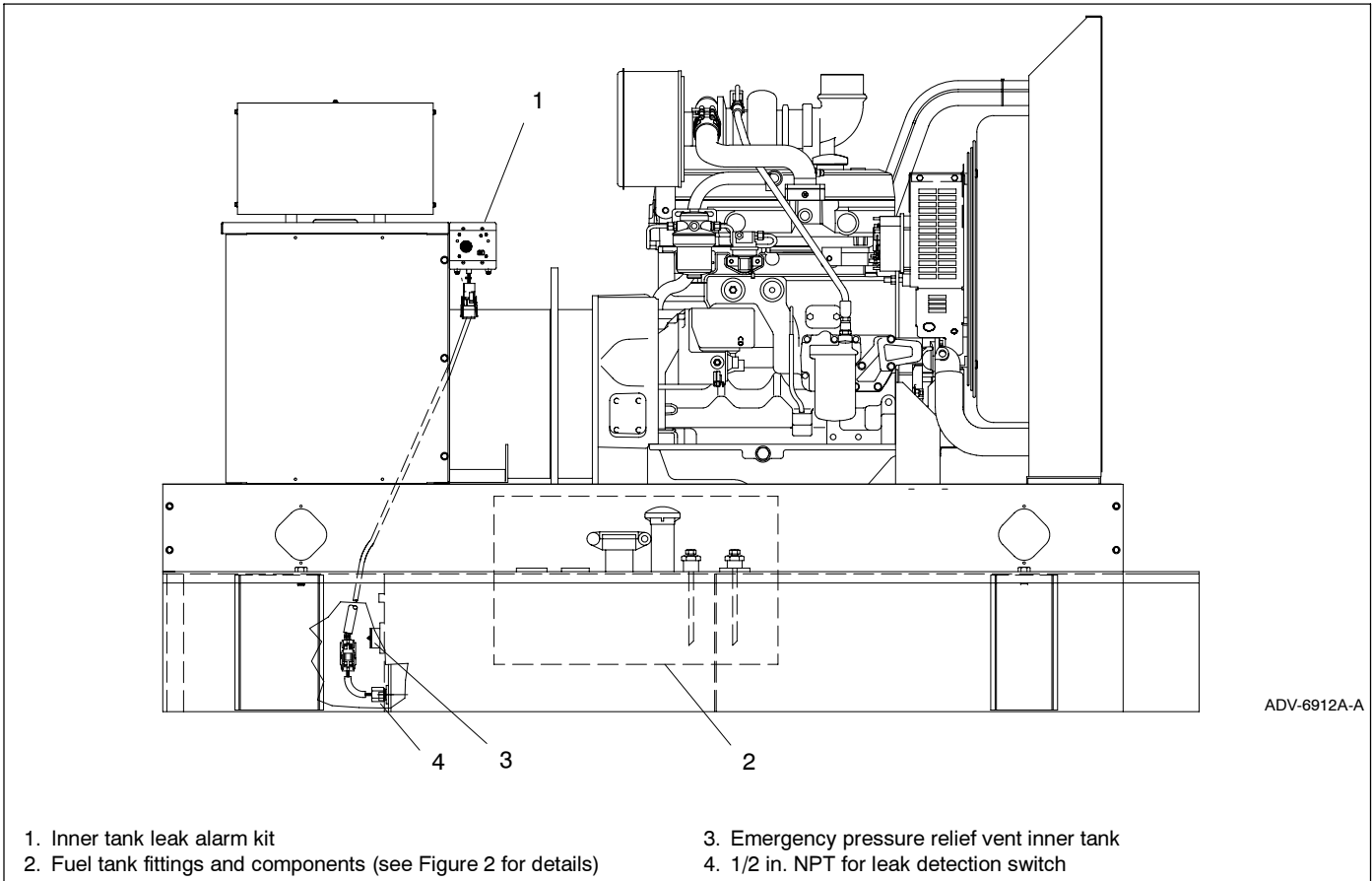


Figure 1 Double-Wall Subbase Fuel Tanks (Secondary Containment)

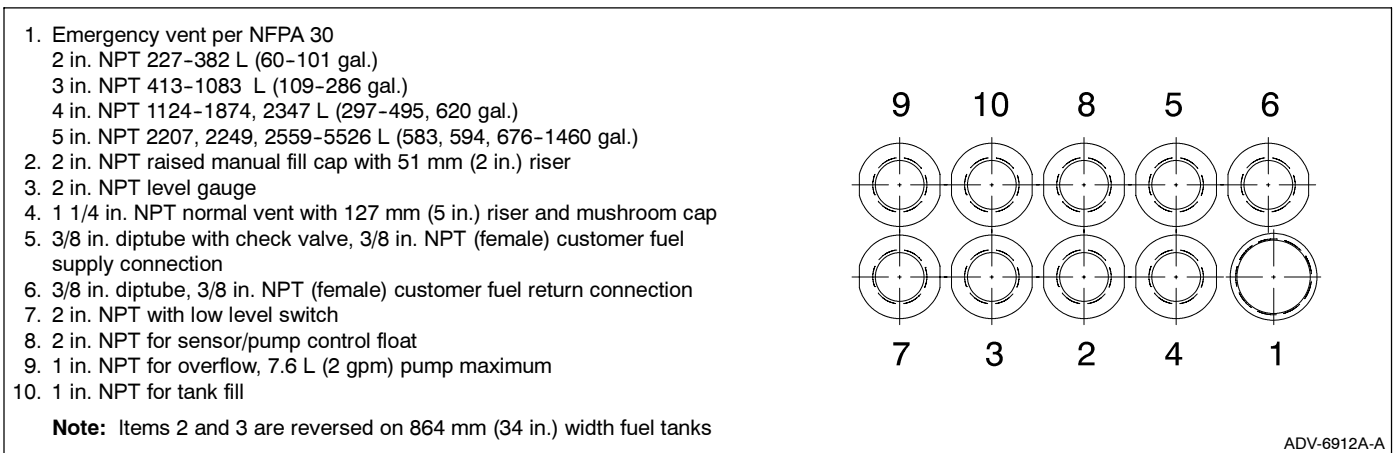


Figure 2 Fuel Tank Fittings Top View (Figure 1, Item 2)

Fuel Tank Accessories

- Inner tank leak alarm kit (see Figure 1)
- Low fuel alarm (Decision-Maker™ 1 controller only)
- High fuel level alarm switch (90% full)
- Above ground 19 L (5 gal.) fill/spill container with 39.4 m (12 ft.) normal vent riser and diptube for fuel overflow spills during fill up; external mount only with weather/sound enclosure with internal silencer (see Figure 3 or Figure 4)

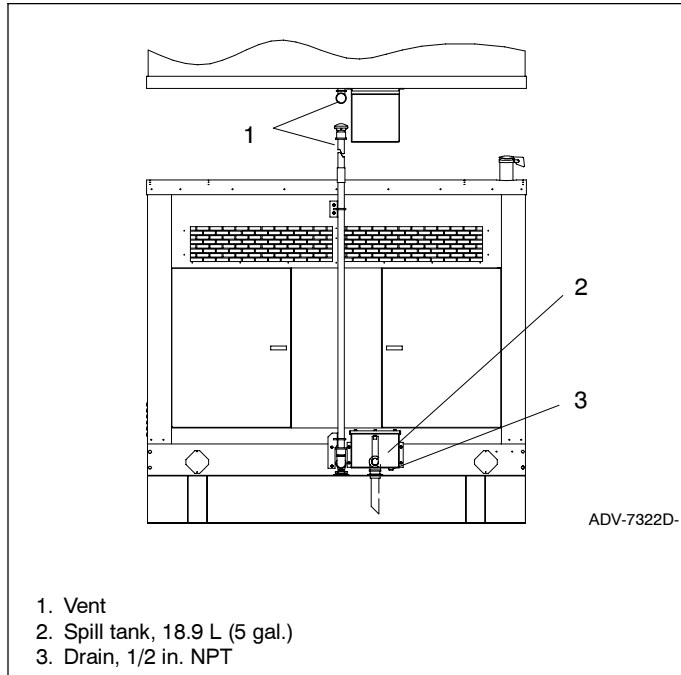


Figure 3 Fill/Spill Container, 20–125 kW

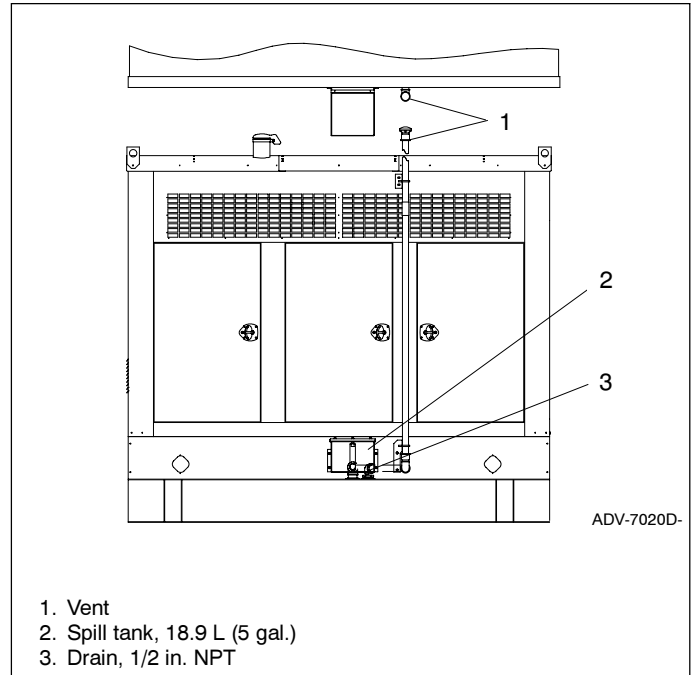


Figure 4 Fill/Spill Container, 135–275 kW

Fuel Tank Weights and Dimensions

Fuel Tanks for Open and Enclosed Generator Sets with 1040 mm (41 in.) and 1250 mm (49 in.) Skids

Note: All fuel tanks are Type 1 (see page 1 for an illustration)

kW	Kit No.	Capacity, L (gal.)	Length, mm (in.)	Width, mm (in.)	Height, mm (in.)	Weight, kg (lb.)	Est. Fuel Supply, Hours at 60 Hz with Full Load
20REOZJB	GM32625-KP1/KA1	291 (77)	2000 (78.74)	1040 (40.94)	305 (12)	316 (696)	33
	GM32625-KP2/KA2	450 (119)			457 (18)	382 (843)	51
	GM32625-KP3/KA3	613 (162)			610 (24)	449 (989)	70
	GM32625-KP4/KA4	772 (204)			762 (30)	515 (1136)	88
20ROZJB	GM32625-KP1/KA1	291 (77)	2000 (78.74)	1040 (40.94)	305 (12)	316 (696)	33
	GM32625-KP2/KA2	450 (119)			457 (18)	382 (843)	51
	GM32625-KP3/KA3	613 (162)			610 (24)	449 (989)	70
	GM32625-KP4/KA4	772 (204)			762 (30)	515 (1136)	88
30REOZJB	GM32625-KP1/KA1	291 (77)	2000 (78.74)	1040 (40.94)	305 (12)	316 (696)	25
	GM32625-KP2/KA2	450 (119)			457 (18)	382 (843)	39
	GM32625-KP3/KA3	613 (162)			610 (24)	449 (989)	53
	GM32625-KP5/KA5	935 (247)			914 (36)	582 (1283)	81
40REOZJB	GM32625-KP1/KA1	291 (77)	2000 (78.74)	1040 (40.94)	305 (12)	316 (696)	22
	GM32625-KP2/KA2	450 (119)			457 (18)	382 (843)	34
	GM32625-KP3/KA3	613 (162)			610 (24)	449 (989)	46
	GM32625-KP4/KA4	772 (204)			762 (30)	515 (1136)	58
	GM32625-KP5/KA5	935 (247)			914 (36)	582 (1283)	72
50REOZJB	GM32625-KP6/KA6	337 (89)	2200 (86.61)	1040 (40.94)	305 (12)	345 (761)	21
	GM32625-KP7/KA7	522 (138)			457 (18)	416 (917)	32
	GM32625-KP8/KA8	712 (188)			610 (24)	486 (1072)	44
	GM32625-KP9/KA9	897 (237)			762 (30)	557 (1228)	55
	GM32625-KP19/KA19	1272 (336)	2800 (110.24)	683 (1505)	78		
60REOZJB	GM32625-KP6/KA6	337 (89)	2200 (86.61)	1040 (40.94)	305 (12)	345 (761)	17
	GM32625-KP7/KA7	522 (138)			457 (18)	416 (917)	27
	GM32625-KP8/KA8	712 (188)			610 (24)	486 (1072)	36
	GM32625-KP10/KA10	1083 (286)			914 (36)	628 (1384)	56
	GM32625-KP17/KA17	1499 (396)	2800 (110.24)	761 (1678)	77		
80REOZJB	GM32625-KP6/KA6	337 (89)	2200 (86.61)	1040 (40.94)	305 (12)	345 (761)	13
	GM32625-KP8/KA8	712 (188)			610 (24)	486 (1072)	28
	GM32625-KP9/KA9	897 (237)			762 (30)	557 (1228)	35
	GM32625-KP19/KA19	1272 (336)	2800 (110.24)	683 (1505)	49		
	GM32625-KP21/KA21	1874 (495)	3302 (130.00)	914 (36)	877 (1934)	73	
80REOZJC	GM32625-KP11/KA11	382 (101)	2400 (94.49)	1040 (40.94)	305 (12)	375 (826)	13
	GM32625-KP12/KA12	810 (214)			610 (24)	524 (1156)	28
	GM32625-KP13/KA13	1234 (326)	674 (1485)		43		
	GM32625-KP17/KA17	1499 (396)	914 (36)		761 (1678)	52	
	GM32625-KP22/KA22	2249 (594)	3810 (150.00)		993 (2190)	78	
80REOZJD	GM32625-KP11/KA11	382 (101)	2400 (94.49)	1040 (40.94)	305 (12)	375 (826)	14
	GM32625-KP12/KA12	810 (214)			610 (24)	524 (1156)	31
	GM32625-KP13/KA13	1234 (326)			674 (1485)	47	
	GM32625-KP17/KA17	1499 (396)	914 (36)		761 (1678)	57	
	GM32625-KP22/KA22	2249 (594)	3810 (150.00)		993 (2190)	86	
100REOZJB	GM32625-KP14/KA14	432 (114)	2600 (102.36)	1040 (40.94)	305 (12)	404 (891)	14
	GM32625-KP15/KA15	908 (240)			610 (24)	562 (1239)	29
	GM32625-KP16/KA16	1385 (366)			720 (1587)	44	
	GM32625-KP21/KA21	1874 (495)			914 (36)	877 (1934)	59
	GM32625-KP23/KA23	2627 (694)	4318 (170.00)		1109 (2446)	83	
100REOZJC	GM32625-KP11/KA11	382 (101)	2400 (94.49)	1040 (40.94)	305 (12)	375 (826)	12
	GM32625-KP12/KA12	810 (214)			610 (24)	524 (1156)	26
	GM32625-KP13/KA13	1234 (326)	674 (1485)		40		
	GM32625-KP17/KA17	1499 (396)	914 (36)		761 (1678)	49	
	GM32625-KP22/KA22	2249 (594)	3810 (150.00)		993 (2190)	73	

Fuel Tank Weights and Dimensions

Fuel Tanks for Open and Enclosed Generator Sets with 1040 mm (41 in.) and 1250 mm (49 in.) Skids, continued

Note: All fuel tanks are Type 1 (see page 1 for an illustration)

kW	Kit No.	Capacity, L (gal.)	Length, mm (in.)	Width, mm (in.)	Height, mm (in.)	Weight, kg (lb.)	Est. Fuel Supply, Hours at 60 Hz with Full Load
100REOZJD	GM32625-KP11/KA11	382 (101)	2400 (94.49)	1040 (40.94)	305 (12)	375 (826)	12
	GM32625-KP12/KA12	810 (214)			610 (24)	524 (1156)	26
	GM32625-KP13/KA13	1234 (326)	914 (36)		674 (1485)	39	
	GM32625-KP17/KA17	1499 (396)			761 (1678)	48	
	GM32625-KP22/KA22	2249 (594)			993 (2190)	72	
125REOZJB	GM32625-KP14/KA14	432 (114)	2600 (102.36)	1040 (40.94)	305 (12)	404 (891)	12
	GM32625-KP15/KA15	908 (240)			610 (24)	562 (1239)	26
	GM32625-KP16/KA16	1385 (366)	914 (36)		720 (1587)	39	
	GM32625-KP21/KA21	1874 (495)			877 (1934)	53	
	GM32625-KP23/KA23	2627 (694)			1109 (2446)	75	
125REOZJD	GM32625-KP18/KA18	742 (196)	2800 (110.24)	1040 (40.94)	457 (18)	517 (1139)	20
	GM32625-KP19/KA19	1272 (336)			762 (30)	683 (1505)	34
	GM32625-KP20/KA20	1537 (406)	914 (36)		766 (1688)	41	
	GM32625-KP22/KA22	2249 (594)			993 (2190)	60	
	GM32625-KP24/KA24	3388 (895)			1593 (3513)	90	
135REOZJC	GM32625-KP18/KA18	742 (196)	2800 (110.24)	1040 (40.94)	457 (18)	517 (1139)	18
	GM32625-KP19/KA19	1272 (336)			762 (30)	683 (1505)	31
	GM32625-KP20/KA20	1537 (406)	914 (36)		766 (1688)	37	
	GM32625-KP22/KA22	2249 (594)			993 (2190)	55	
	GM32625-KP24/KA24	3388 (895)			1593 (3513)	82	
150REOZJB	GM32625-KP18/KA18	742 (196)	2800 (110.24)	1040 (40.94)	457 (18)	517 (1139)	16
	GM32625-KP19/KA19	1272 (336)			762 (30)	683 (1505)	28
	GM32625-KP21/KA21	1874 (495)	914 (36)		877 (1934)	41	
	GM32625-KP22/KA22	2249 (594)			993 (2190)	49	
	GM32625-KP24/KA24	3388 (895)			1593 (3513)	73	
150REOZJC	GM32625-KP18/KA18	742 (196)	2800 (110.24)	1040 (40.94)	457 (18)	517 (1139)	16
	GM32625-KP19/KA19	1272 (336)			762 (30)	683 (1505)	27
	GM32625-KP21/KA21	1874 (495)	914 (36)		877 (1934)	40	
	GM32625-KP22/KA22	2249 (594)			993 (2190)	48	
	GM32625-KP24/KA24	3388 (895)			1593 (3513)	73	
150REOZJD	GM32625-KP18/KA18	742 (196)	2800 (110.24)	1040 (40.94)	457 (18)	517 (1139)	17
	GM32625-KP19/KA19	1272 (336)			762 (30)	683 (1505)	29
	GM32625-KP21/KA21	1874 (495)	914 (36)		877 (1934)	42	
	GM32625-KP22/KA22	2249 (594)			993 (2190)	51	
	GM32625-KP24/KA24	3388 (895)			1593 (3513)	76	
180REOZJB	GM32625-KP18/KA18	742 (196)	2800 (110.24)	1040 (40.94)	457 (18)	517 (1139)	14
	GM32625-KP20/KA20	1537 (406)			914 (36)	766 (1688)	28
	GM32625-KP22/KA22	2249 (594)	993 (2190)			41	
	GM32625-KP23/KA23	2627 (694)	1109 (2446)			48	
	GM32625-KP25/KA25	3944 (1042)	6198 (244.00)		1814 (4000)	72	
180REOZJC	GM32625-KP18/KA18	742 (196)	2800 (110.24)	1040 (40.94)	457 (18)	517 (1139)	14
	GM32625-KP20/KA20	1537 (406)			914 (36)	766 (1688)	30
	GM32625-KP21/KA21	1874 (495)	877 (1934)			36	
	GM32625-KP23/KA23	2627 (694)	1109 (2446)			51	
	GM32625-KP25/KA25	3944 (1042)	6198 (244.00)		1814 (4000)	76	
180REOZJD	GM32625-KP26/KA26	939 (248)	2975 (117.13)	1250 (49.21)	457 (18)	599 (1320)	18
	GM32625-KP27/KA27	1609 (425)			762 (30)	782 (1724)	31
	GM32625-KP28/KA28	2347 (620)	914 (36)		992 (2186)	46	
	GM32625-KP29/KA29	3096 (818)			1197 (2638)	60	
	GM32625-KP30/KA30	4614 (1219)			5994 (236.00)	1950 (4300)	90

Fuel Tank Weights and Dimensions

Fuel Tanks for Open and Enclosed Generator Sets with 1040 mm (41 in.) and 1250 mm (49 in.) Skids, continued

Note: All fuel tanks are Type 1, except where noted (see page 1 for an illustrations)

kW	Kit No.	Capacity, L (gal.)	Length, mm (in.)	Width, mm (in.)	Height, mm (in.)	Weight, kg (lb.)	Est. Fuel Supply, Hours at 60 Hz with Full Load
200REOZJB	GM32625-KP26/KA26	939 (248)	2975 (117.13)	1250 (49.21)	457 (18)	599 (1320)	17
	GM32625-KP27/KA27	1609 (425)			762 (30)	782 (1724)	29
	GM32625-KP28/KA28	2347 (620)	3454 (136.00)		914 (36)	992 (2186)	42
	GM32625-KP29/KA29	3096 (818)	4267 (168.00)			1197 (2638)	55
	GM32625-KP30/KA30	4614 (1219)	5994 (236.00)			1950 (4300)	82
200REOZJC	GM32625-KP26/KA26	939 (248)	2975 (117.13)	1250 (49.21)	457 (18)	599 (1320)	17
	GM32625-KP27/KA27	1609 (425)			762 (30)	782 (1724)	29
	GM32625-KP28/KA28	2347 (620)	3454 (136.00)		914 (36)	992 (2186)	42
	GM32625-KP29/KA29	3096 (818)	4267 (168.00)			1197 (2638)	55
	GM32625-KP30/KA30	4614 (1219)	5994 (236.00)			1950 (4300)	82
200REOZJD	GM32625-KP26/KA26	939 (248)	2975 (117.13)	1250 (49.21)	457 (18)	599 (1320)	16
	GM32625-KP27/KA27	1609 (425)			762 (30)	782 (1724)	28
	GM32625-KP28/KA28	2347 (620)	3454 (136.00)		914 (36)	992 (2186)	41
	GM32625-KP29/KA29	3096 (818)	4267 (168.00)			1197 (2638)	53
	GM32625-KP30/KA30	4614 (1219)	5994 (236.00)			1950 (4300)	80
230REOZJB	GM32625-KP26/KA26	939 (248)	2975 (117.13)	1250 (49.21)	457 (18)	599 (1320)	15
	GM32625-KP27/KA27	1609 (425)			762 (30)	782 (1724)	25
	GM32625-KP28/KA28	2347 (620)	3454 (136.00)		914 (36)	992 (2186)	37
	GM32625-KP29/KA29	3096 (818)	4267 (168.00)			1197 (2638)	48
	GM32625-KP30/KA30	4614 (1219)	5994 (236.00)			1950 (4300)	72
230REOZJD	GM32625-KP31/KA31	1840 (222)	3100 (122.05)	1250 (49.21)	460 (18)	586 (1292)	14
	GM32625-KP32/KA32	1794 (474)			914 (36)	869 (1916)	29
	GM32625-KP33/KA33	2782 (735)	4200 (165.35)	914 (36)	1146 (2526)	46	
	GM32625-KP34/KA34*	3655 (966)	4900 (192.91)		1350 (53.15)	1589 (3503)	60
	GM32625-KP35/KA35*	5526 (1460)	5100 (200.79)		1850 (72.83)	2038 (4493)	91
250REOZJD	GM32625-KP31/KA31	1840 (222)	3100 (122.05)	1250 (49.21)	460 (18)	586 (1292)	13
	GM32625-KP32/KA32	1794 (474)			914 (36)	869 (1916)	27
	GM32625-KP33/KA33	2782 (735)	4200 (165.35)	914 (36)	1146 (2526)	42	
	GM32625-KP34/KA34*	3655 (966)	4900 (192.91)		1350 (53.15)	1589 (3503)	55
	GM32625-KP35/KA35*	5526 (1460)	5100 (200.79)		1850 (72.83)	2038 (4493)	83
275REOZJD	GM32625-KP31/KA31	1840 (222)	3100 (122.05)	1250 (49.21)	460 (18)	586 (1292)	11
	GM32625-KP32/KA32	1794 (474)			914 (36)	869 (1916)	24
	GM32625-KP33/KA33	2782 (735)	4200 (165.35)	914 (36)	1146 (2526)	37	
	GM32625-KP34/KA34*	3655 (966)	4900 (192.91)		1350 (53.15)	1589 (3503)	49
	GM32625-KP35/KA35*	5526 (1460)	5100 (200.79)		1850 (72.83)	2038 (4493)	74

* Fuel tanks are Type 2. Add 152 mm (6 in.) to height dimension for I-beams.

Fuel Tank Weights and Dimensions

Fuel Tanks for Open Generator Sets with 864 mm (34 in.) Skids

Note: All fuel tanks are Type 1 (see page 1 for an illustration)

kW	Kit No.	Capacity, L (gal.)	Length, mm (in.)	Width, mm (in.)	Height, mm (in.)	Weight, kg (lb.)	Est. Fuel Supply, Hours at 60 Hz with Full Load
20REOZJB	GM32623-KP1/KA1	227 (60)	2000 (78.74)	864 (34.02)	305 (12)	277 (610)	26
	GM32623-KP2/KA2	356 (94)			457 (18)	338 (745)	40
	GM32623-KP3/KA3	481 (127)			610 (24)	399 (879)	55
	GM32623-KP4/KA4	738 (195)			914 (36)	521 (1149)	84
20ROZJB	GM32623-KP1/KA1	227 (60)	2000 (78.74)	864 (34.02)	305 (12)	277 (610)	26
	GM32623-KP2/KA2	356 (94)			457 (18)	338 (745)	40
	GM32623-KP3/KA3	481 (127)			610 (24)	399 (879)	55
	GM32623-KP4/KA4	738 (195)			914 (36)	521 (1149)	84
30REOZJB	GM32623-KP1/KA1	227 (60)	2000 (78.74)	864 (34.02)	305 (12)	277 (610)	20
	GM32623-KP2/KA2	356 (94)			457 (18)	338 (745)	31
	GM32623-KP3/KA3	481 (127)			610 (24)	399 (879)	41
	GM32623-KP4/KA4	738 (195)			914 (36)	521 (1149)	64
	GM32623-KP11/KA11	973 (257)	2438 (95.98)	914 (36)	611 (1346)	84	
40REOZJB	GM32623-KP1/KA1	227 (60)	2000 (78.74)	864 (34.02)	305 (12)	277 (610)	17
	GM32623-KP2/KA2	356 (94)			457 (18)	338 (745)	27
	GM32623-KP3/KA3	481 (127)			610 (24)	399 (879)	36
	GM32623-KP4/KA4	738 (195)			914 (36)	521 (1149)	56
	GM32623-KP11/KA11	973 (257)	2438 (95.98)	914 (36)	611 (1346)	73	
50REOZJB	GM32623-KP5/KA5	265 (70)	2200 (86.61)	864 (34.02)	305 (12)	303 (667)	16
	GM32623-KP6/KA6	413 (109)			457 (18)	367 (810)	25
	GM32623-KP8/KA8	708 (187)			762 (30)	498 (1098)	43
	GM32623-KP11/KA11	973 (257)			914 (36)	611 (1346)	60
	GM32623-KP15/KA15	1272 (336)	2946 (116.00)	914 (36)	717 (1581)	78	
60REOZJB	GM32623-KP5/KA5	265 (70)	2200 (86.61)	864 (34.02)	305 (12)	303 (667)	14
	GM32623-KP7/KA7	560 (148)			610 (24)	433 (954)	29
	GM32623-KP8/KA8	708 (187)			762 (30)	498 (1098)	36
	GM32623-KP11/KA11	973 (257)			914 (36)	611 (1346)	50
	GM32623-KP16/KA16	1480 (391)	3302 (130.00)	914 (36)	792 (1745)	76	
80REOZJB	GM32623-KP6/KA6	413 (109)	2200 (86.61)	864 (34.02)	457 (18)	367 (810)	16
	GM32623-KP8/KA8	708 (187)			762 (30)	498 (1098)	28
	GM32623-KP11/KA11	973 (257)			914 (36)	611 (1346)	38
	GM32623-KP15/KA15	1272 (336)			914 (36)	717 (1581)	49
	GM32623-KP18/KA18	1866 (493)	3962 (156.00)	914 (36)	929 (2049)	73	
80REOZJC	GM32623-KP9/KA9	469 (124)	2400 (94.49)	864 (34.02)	457 (18)	397 (876)	16
	GM32623-KP10/KA10	806 (213)			762 (30)	536 (1182)	28
	GM32623-KP14/KA14	1124 (297)			914 (36)	664 (1464)	39
	GM32623-KP16/KA16	1480 (391)			914 (36)	792 (1745)	51
	GM32623-KP19/KA19	2207 (583)	4623 (182.00)	914 (36)	1234 (2720)	77	
80REOZJD	GM32623-KP9/KA9	469 (124)	2400 (94.49)	864 (34.02)	457 (18)	397 (876)	17
	GM32623-KP10/KA10	806 (213)			762 (30)	536 (1182)	30
	GM32623-KP14/KA14	1124 (297)			914 (36)	664 (1464)	43
	GM32623-KP16/KA16	1480 (391)			914 (36)	792 (1745)	56
	GM32623-KP19/KA19	2207 (583)	4623 (182.00)	914 (36)	1234 (2720)	84	
100REOZJB	GM32623-KP12/KA12	526 (139)	2600 (102.36)	864 (34.02)	457 (18)	427 (941)	17
	GM32623-KP13/KA13	905 (239)			762 (30)	574 (1265)	28
	GM32623-KP15/KA15	1272 (336)			914 (36)	717 (1581)	40
	GM32623-KP17/KA17	1688 (446)			914 (36)	866 (1909)	53
	GM32623-KP20/KA20	2559 (676)	5232 (206.00)	914 (36)	1378 (3039)	80	
100REOZJC	GM32623-KP9/KA9	469 (124)	2400 (94.49)	864 (34.02)	457 (18)	397 (876)	15
	GM32623-KP10/KA10	806 (213)			762 (30)	536 (1182)	26
	GM32623-KP14/KA14	1124 (297)			914 (36)	664 (1464)	37
	GM32623-KP16/KA16	1480 (391)			914 (36)	792 (1745)	48
	GM32623-KP19/KA19	2207 (583)	4623 (182.00)	914 (36)	1234 (2720)	72	

Fuel Tank Weights and Dimensions

Fuel Tanks for Open Generator Sets with 864 mm (34 in.) Skids, continued

Note: All fuel tanks are Type 1 (see page 1 for an illustration)

kW	Kit No.	Capacity, L (gal.)	Length, mm (in.)	Width, mm (in.)	Height, mm (in.)	Weight, kg (lb.)	Est. Fuel Supply, Hours at 60 Hz with Full Load
100REOZJD	GM32623-KP9/KA9	469 (124)	2400 (94.49)	864 (34.02)	457 (18)	397 (876)	15
	GM32623-KP10/KA10	806 (213)			762 (30)	536 (1182)	25
	GM32623-KP14/KA14	1124 (297)	2692 (106.00)		914 (36)	664 (1464)	36
	GM32623-KP16/KA16	1480 (391)	3302 (130.00)		914 (36)	792 (1745)	48
	GM32623-KP19/KA19	2207 (583)	4623 (182.00)		914 (36)	1234 (2720)	72
125REOZJB	GM32623-KP12/KA12	526 (139)	2600 (102.36)	864 (34.02)	457 (18)	427 (941)	15
	GM32623-KP13/KA13	905 (239)			762 (30)	574 (1265)	26
	GM32623-KP15/KA15	1272 (336)	2946 (116.00)		914 (36)	717 (1581)	36
	GM32623-KP17/KA17	1688 (446)	3658 (144.00)			866 (1909)	48
	GM32623-KP20/KA20	2559 (676)	5232 (206.00)			1378 (3039)	73

DISTRIBUTED BY:

Availability is subject to change without notice. Kohler Co. reserves the right to change the design or specifications without notice and without any obligation or liability whatsoever. Contact your local Kohler® generator distributor for availability.

© 2004, 2005, 2006, 2007, 2008 by Kohler Co. All rights reserved.