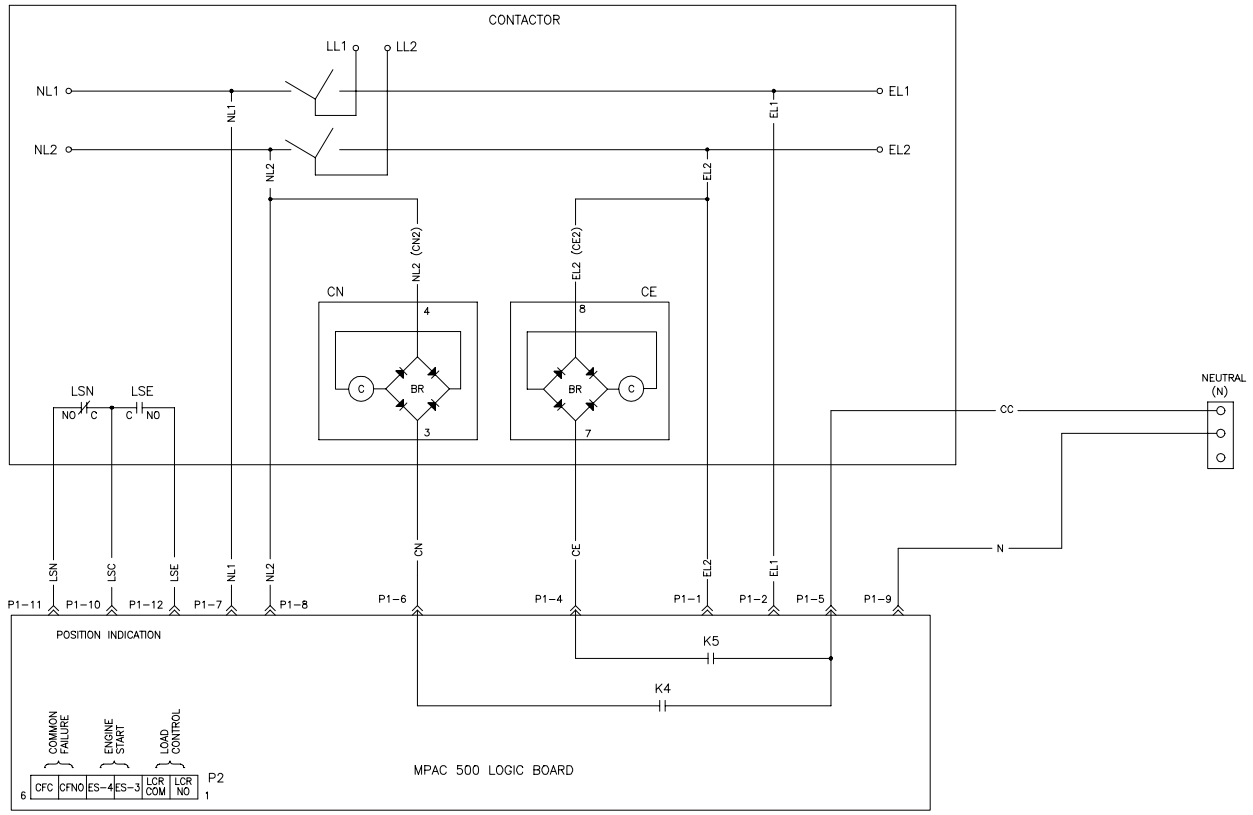


REV	DATE	REVISION	BY
B	10-7-04	(C-3) GROUND REMOVED (2 PLACES) NEUTRAL LUG ADDED LEADS "CC" & "N" RE-ROUTED TO NEUTRAL LUG [73528]	DFS
C	10-28-04	REVERSE TITLE BLOCK ADDED [73612]	DFS
D	4-1-05	(9-7-8) P2: PIN 1 & 6 DESIGNATORS ADDED, "COMMON FAILURE" TERMINAL FUNCTION MOVED FROM PINS 1 & 2 TO PINS 5 & 6. "LOAD CONTROL" TERMINAL FUNCTION MOVED FROM PINS 5 & 6 TO PINS 1 & 2, TERMINAL DESCRIPTIONS REVISED [74777]	DFS



LEGEND

- BR BRIDGE RECTIFIER
- C COIL
- CE TRANSFER COIL (EMERGENCY TRANSFER)
- CN TRANSFER COIL (NORMAL TRANSFER)
- K4 NORMAL RELAY CONTACTS
- K5 EMERGENCY RELAY CONTACTS
- LSE LIMITS SWITCH EMERGENCY CONTACTS
- LSN LIMIT SWITCH NORMAL CONTACTS
- P1 CONNECTOR

NOTE:

1. ENGINE START CONTACTS ES1 & ES2 RATED 30 VOLT, 1 AMP. WIRING PROVIDED BY OTHERS.
2. CONTACTOR SHOWN IN NORMAL WITH NO POWER APPLIED.
3. FOR WIRING DIAGRAM SEE GM34465.

UNLESS OTHERWISE SPECIFIED - 1. DIMENSIONS ARE IN INCHES 2. TOLERANCES ARE: FRACTIONS ± .005 DECIMALS ± .010 ANGLES ± 1/2° HOLE DIA ± .010 HOLE PATTERN ± .010 HOLE POSITION ± .010		KOHLER CO. POWER SYSTEMS, KOHLER, WI 53044 U.S.A. THIS DRAWING IS PROPERTY OF KOHLER CO. PROPERTY AND MUST NOT BE USED EXCEPT IN CONNECTION WITH KOHLER CO. WORK. ALL RIGHTS OF DESIGN OR INVENTION ARE RESERVED.	
DIAGRAM, SCHEMATIC			
APPROVALS DESIGNED: JS DRAWN: JS CHECKED: JS DATE: 7-15-04		DATE 7-14-04 7-15-04 7-15-04	
SCALE // //		DWG NO. GM34466.DWG SHEET 1-1 DWG NO. GM34466	

MPAC 500
100-200A